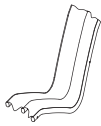











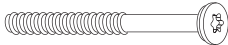

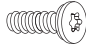





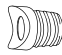


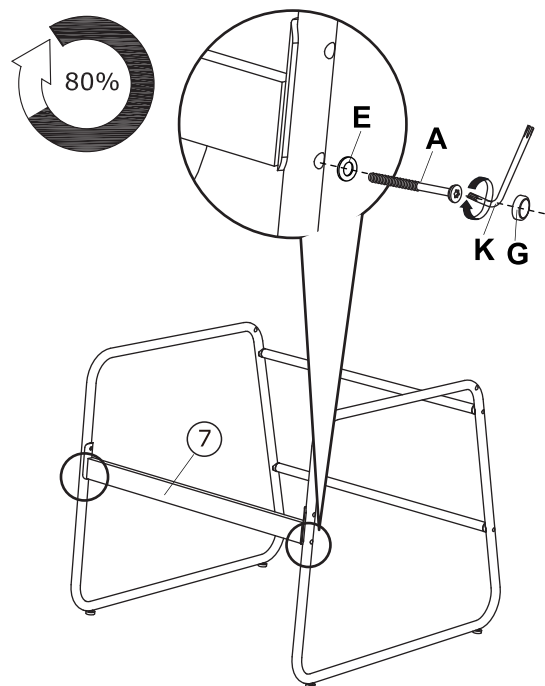
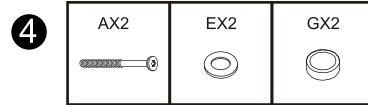
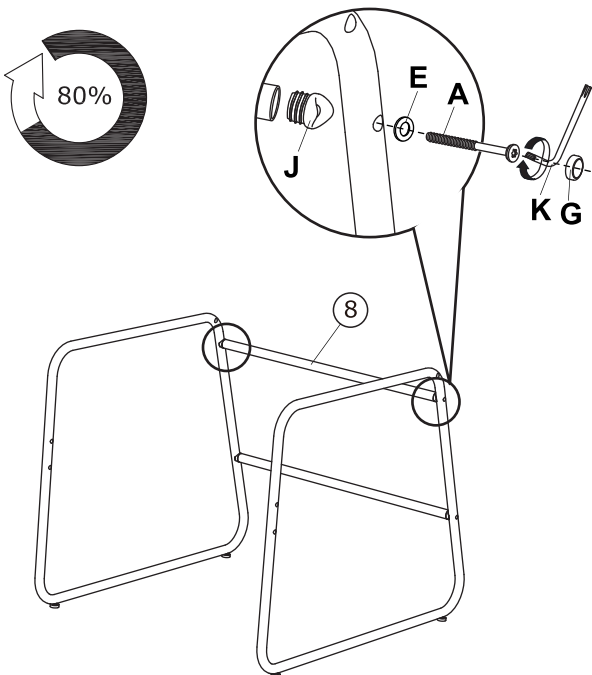
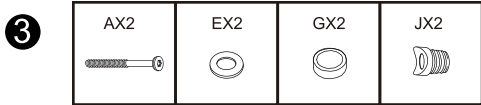
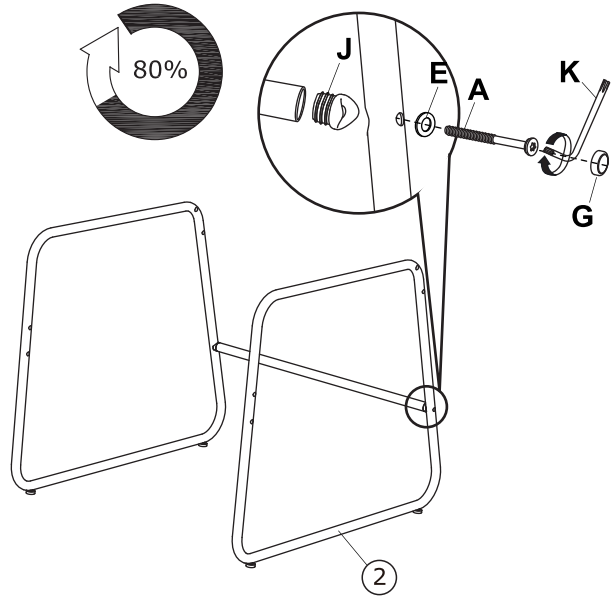
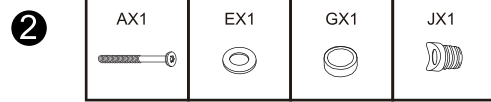
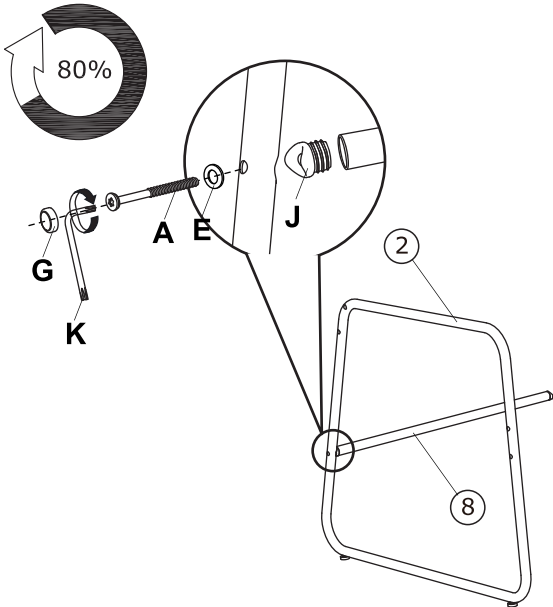
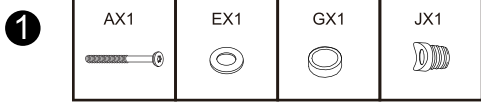
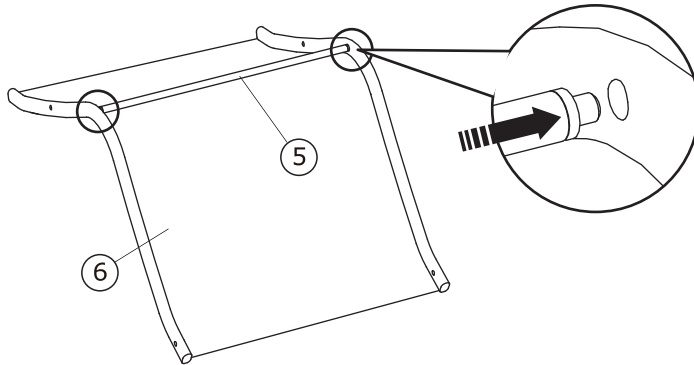
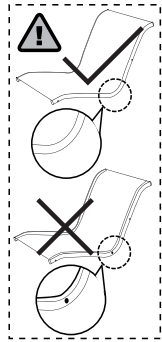
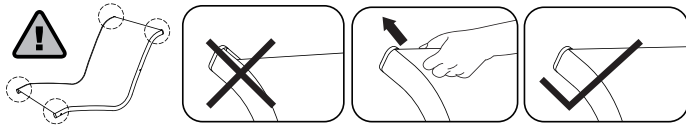


①		1
②		6
③		1
④		1
⑤		4
⑥		2
⑦		2
⑧		4
⑨		2
⑩		1
⑪		1
⑫		1

A		30
B		2
C		8
D		6
E		54
F		14
G		40
H		14
J		10
K		1
L		1

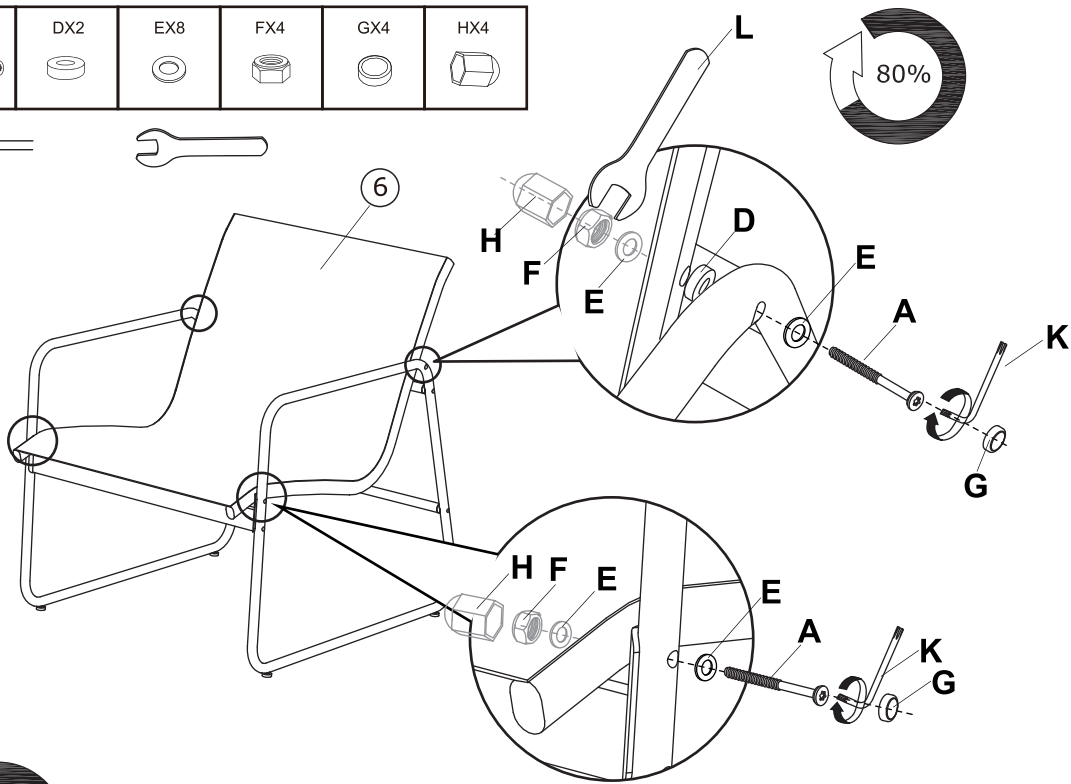
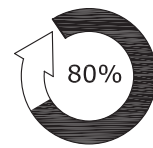


5

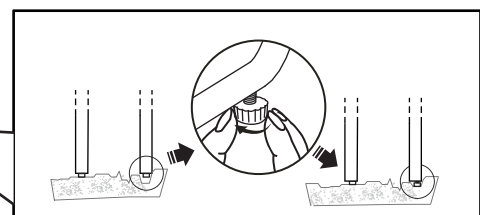
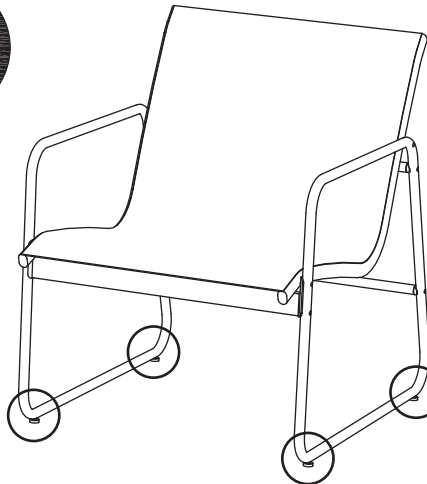


6

AX4	DX2	EX8	FX4	GX4	HX4

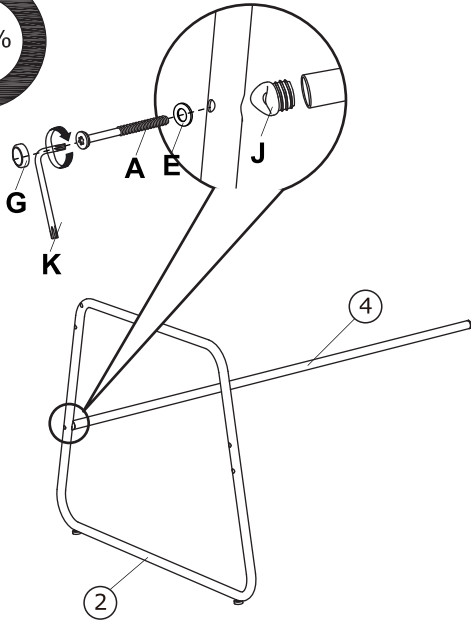
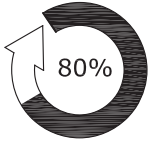


7



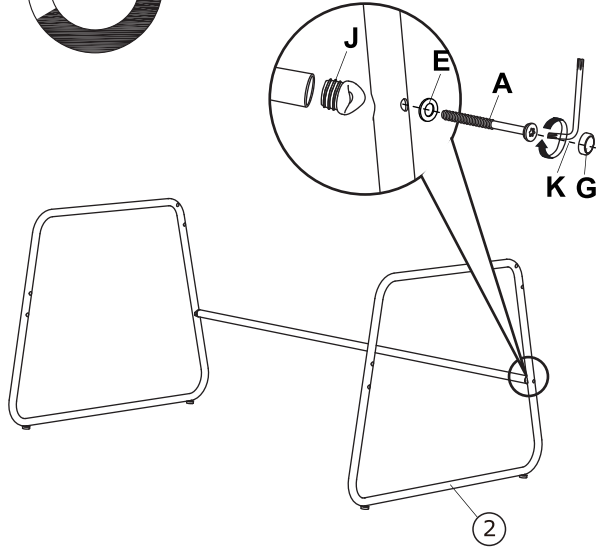
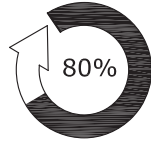
1

AX1	EX1	GX1	JX1



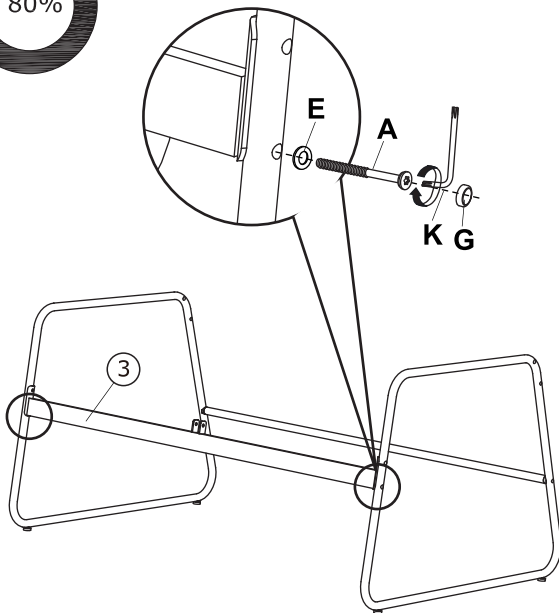
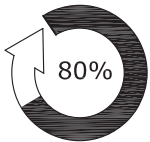
2

AX1	EX1	GX1	JX1



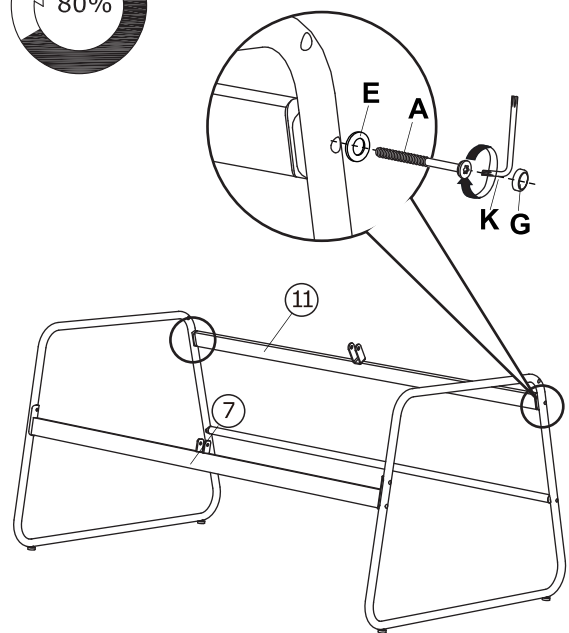
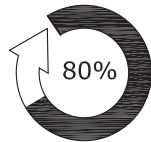
3

AX2	EX2	GX2

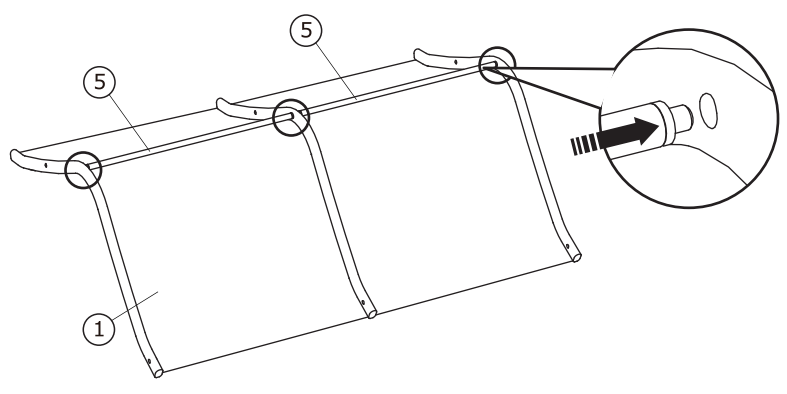
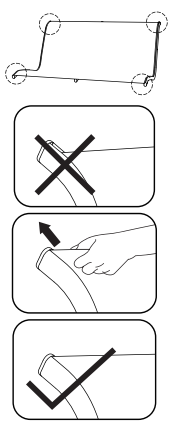


4

AX2	EX2	GX2

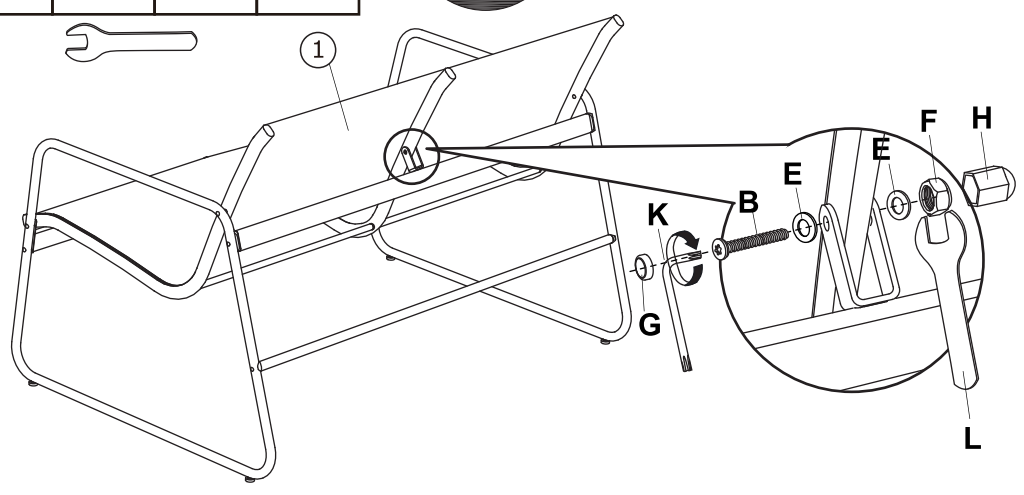
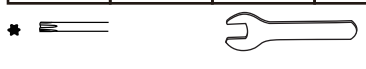
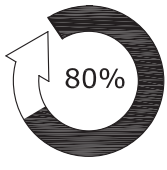


5



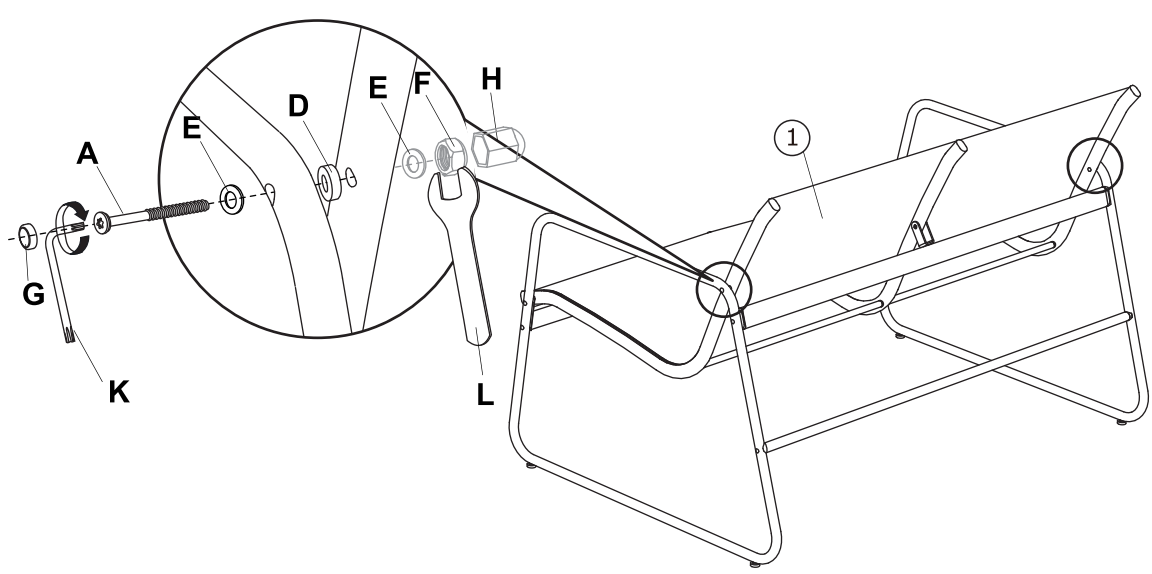
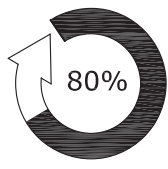
6

BX1	EX2	FX1	GX1	HX1



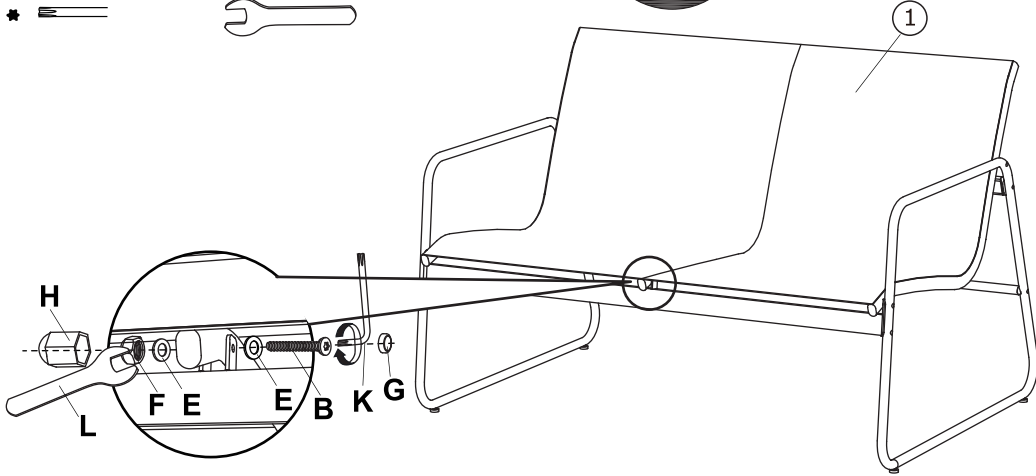
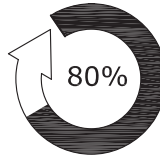
7

AX2	DX2	EX4	FX2	GX2	HX2



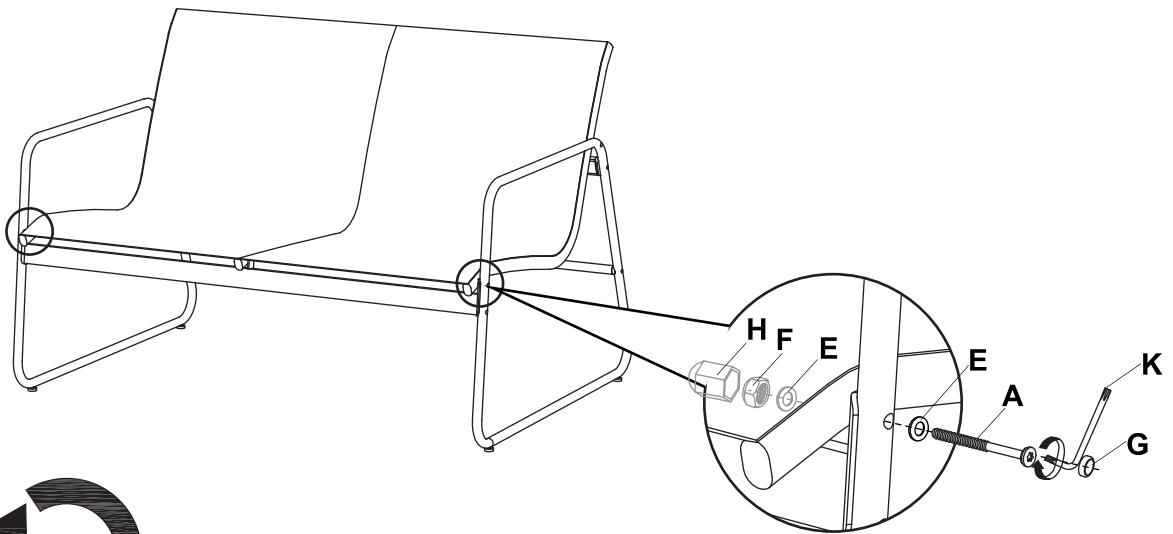
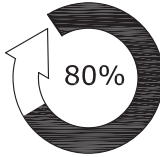
8

BX1	EX2	FX1	GX1	HX1

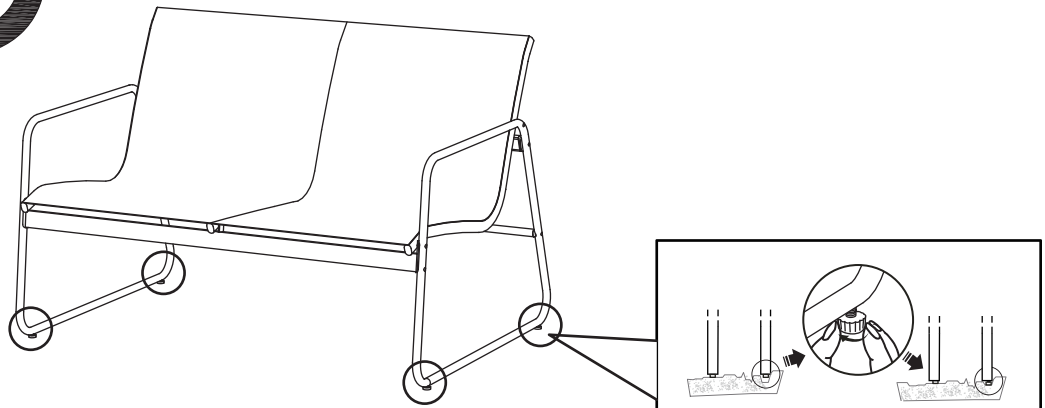


9





AX2	EX4	FX2	GX2	HX2

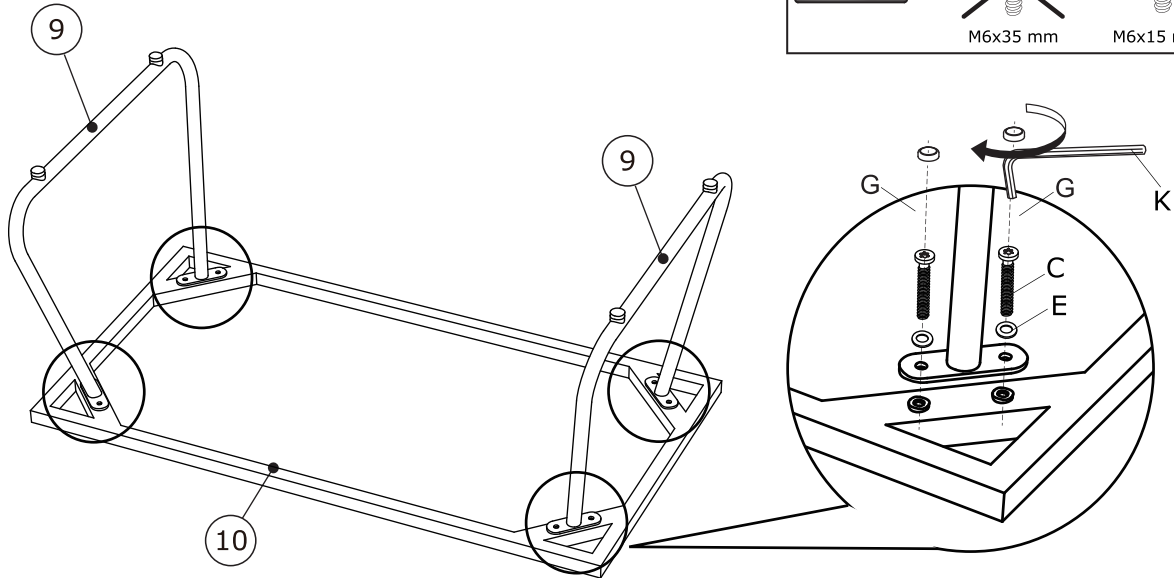
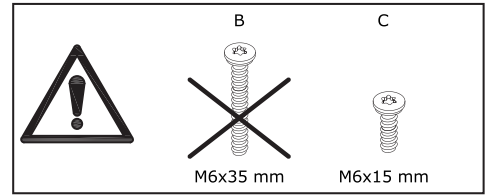


10

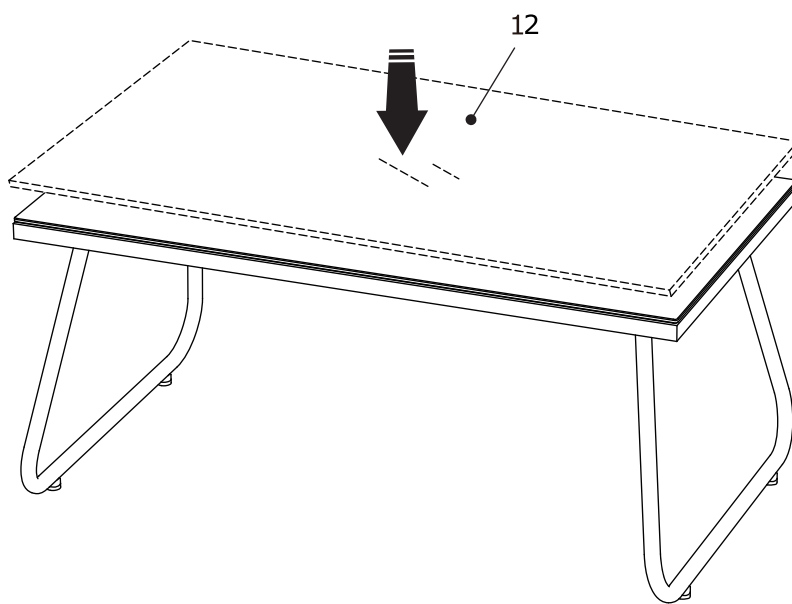


1

C x 8  M6x15 mm	E x 8  Ø6/Ø14 mm	K x 1  4 mm ★	GX8 	
--	---	--	--	--



2



3

