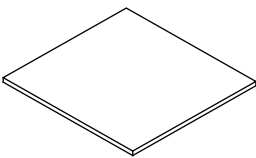
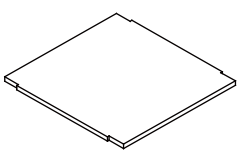
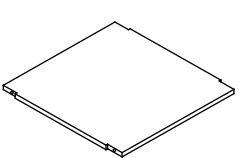
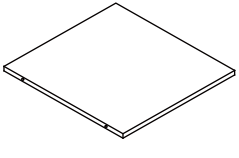
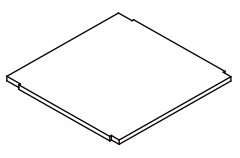
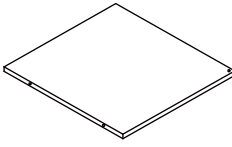
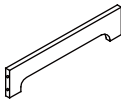
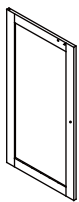
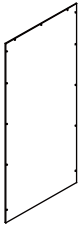
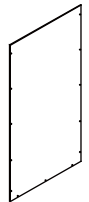
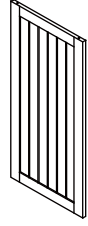
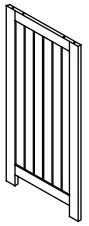
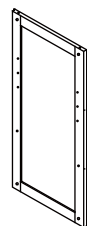
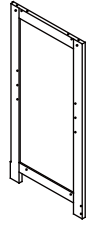
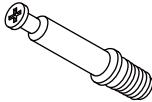


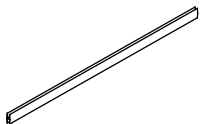
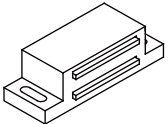


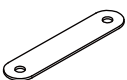

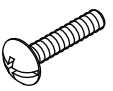
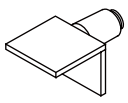
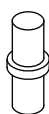
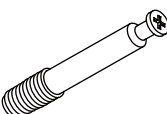


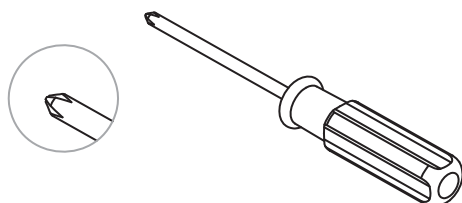
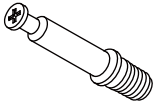


1  1 pc	2  1 pc	3  1 pc	4  1 pc	5  1 pc
6  1 pc	7  1 pc	8  1 pc	9  1 pc	10  1 pc
11  1 pc	12  1 pc	13  1 pc	14  1 pc	
A  16 pcs	B  20 pcs	C  6 * 30mm 8 pcs	D  1 pc	E  1 pc
F  3 * 14mm 2 pcs	G  3 * 12mm 2 pcs	H  1 pc	I  1 pc	J  1 pc
K  8 pcs	L  2 pcs	M  4 pcs	N  4 pcs	O  2.5 * 10mm 26 pcs



1

A



8 pcs

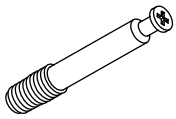
C

6*30mm



4 pcs

M

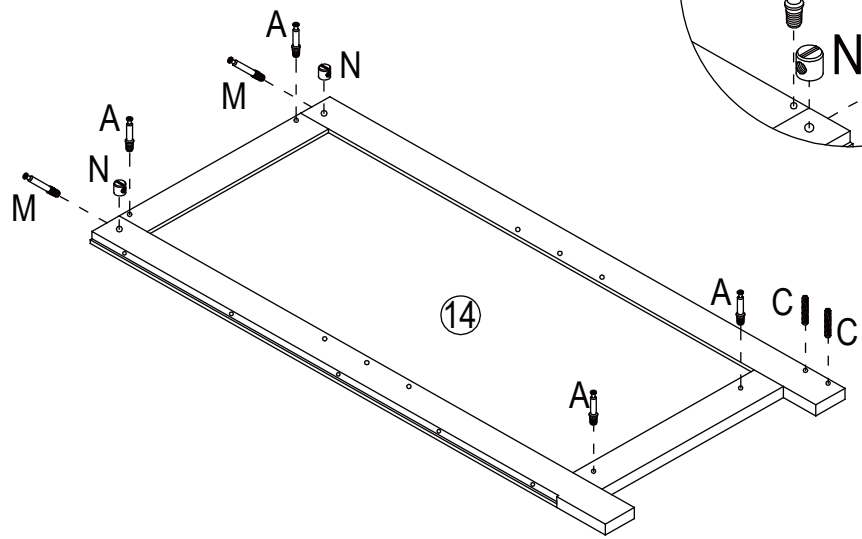
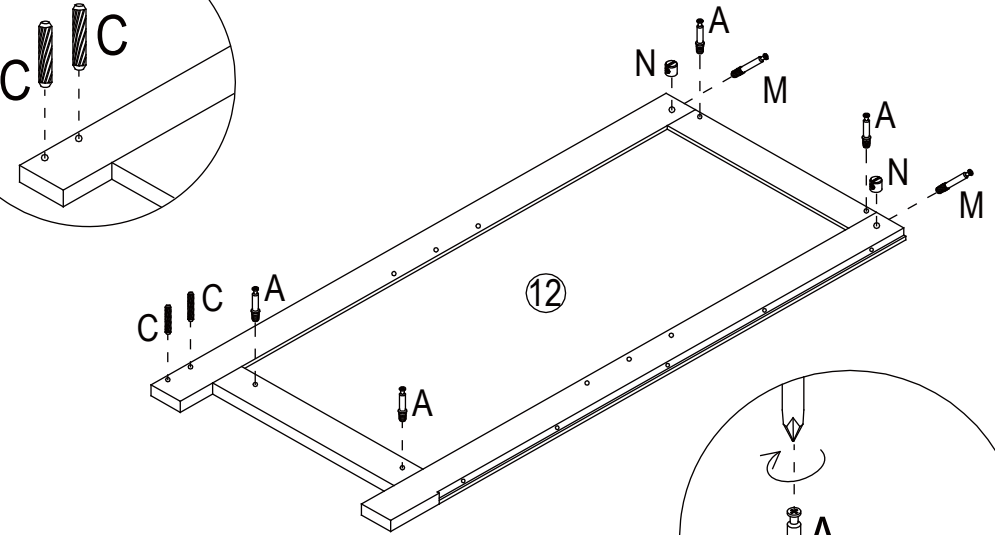
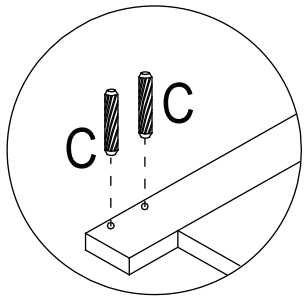


4 pcs

N



4 pcs



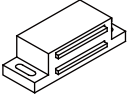
2

B



4 pcs

E



1 pc

F



3*14mm

2 pcs

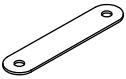
G



3*12mm

2 pcs

H



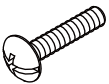
1 pc

I

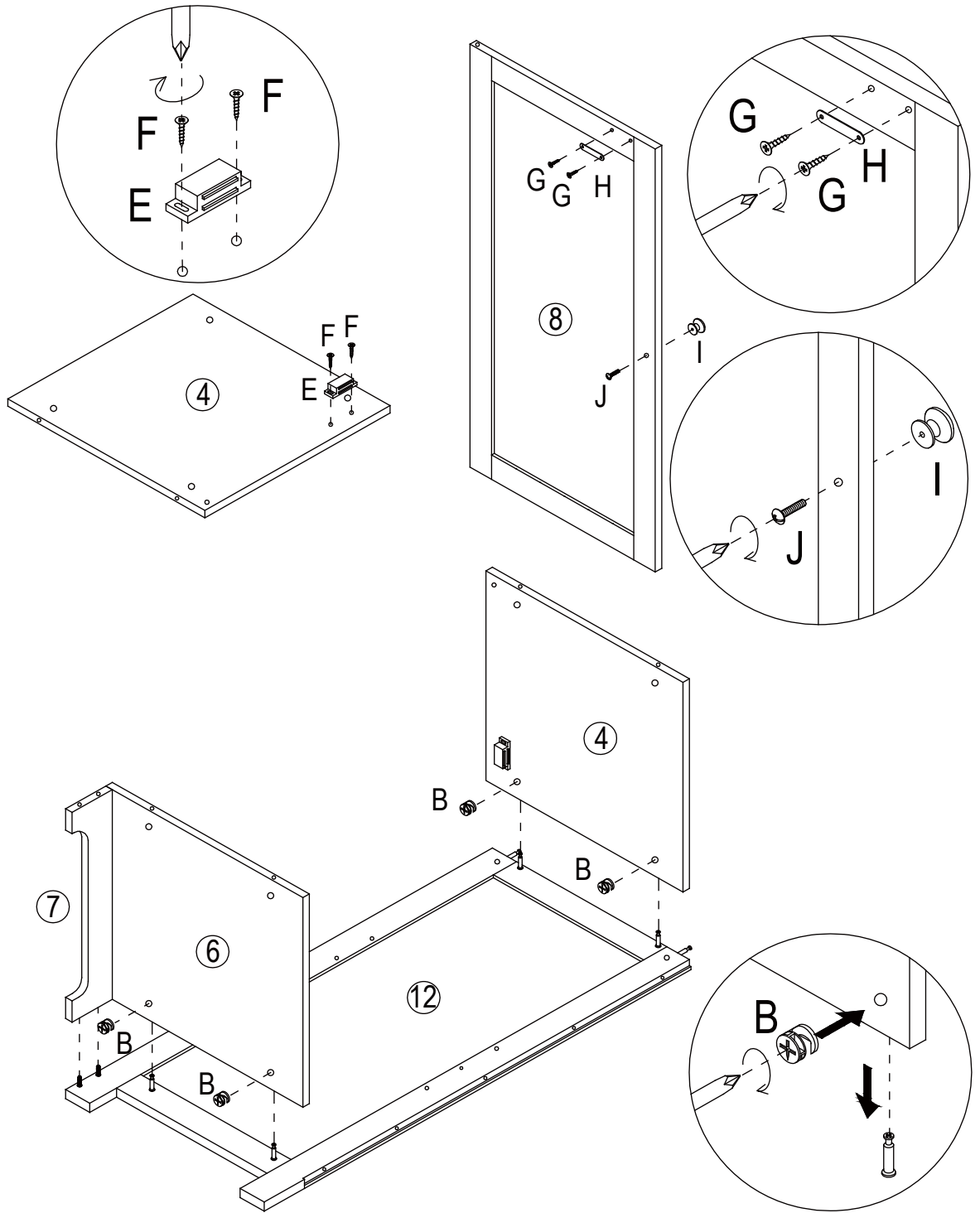


1 pc

J



1 pc



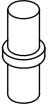
3

B

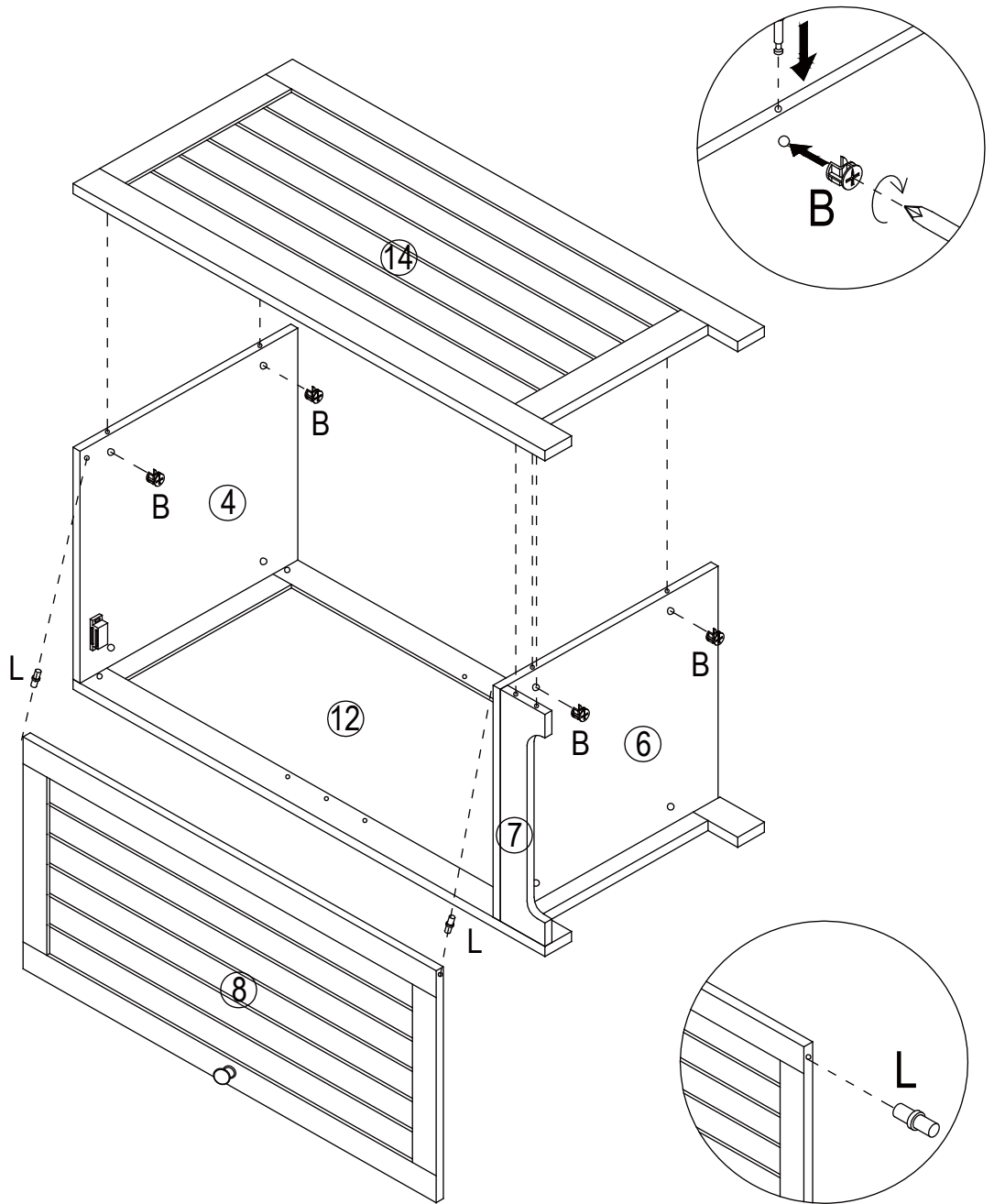


4 pcs

L



2 pcs



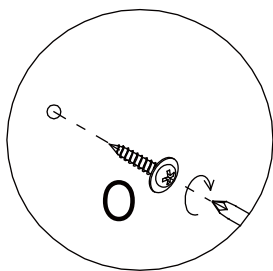
4

0

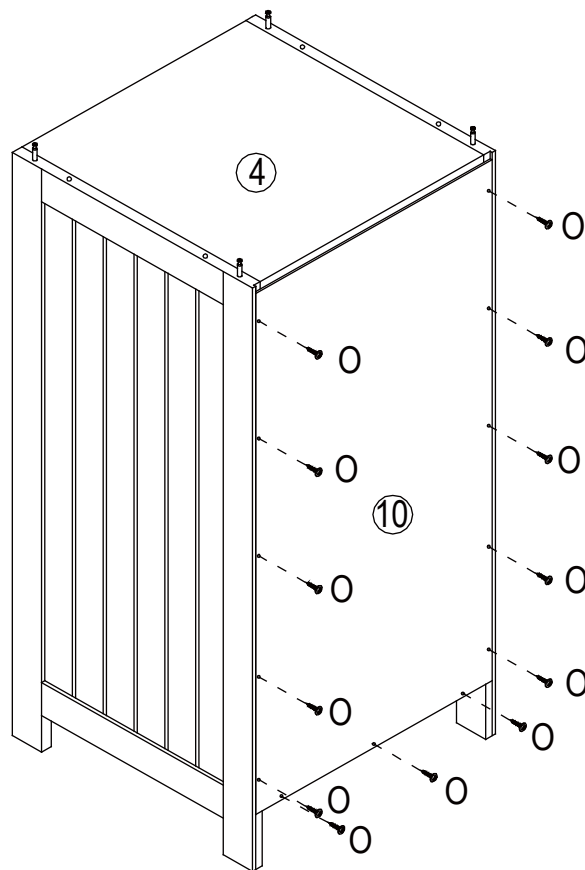
2.5 * 10mm



13 pcs

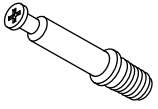


14



5

A

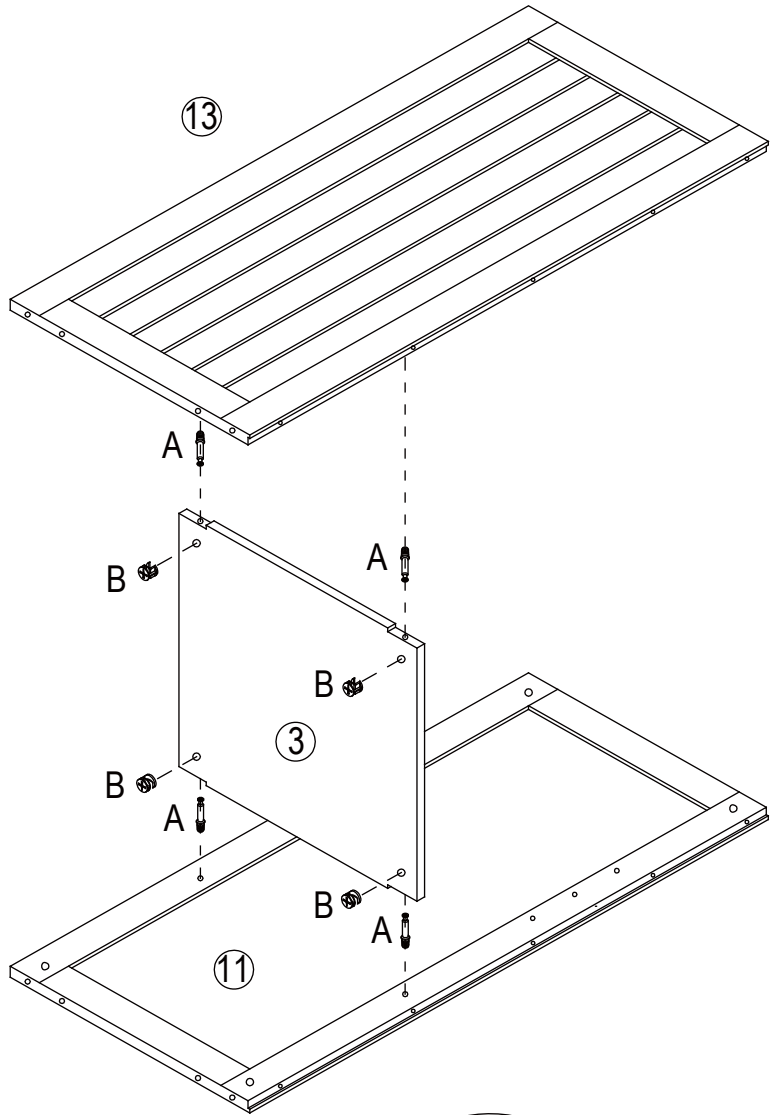


4 pcs

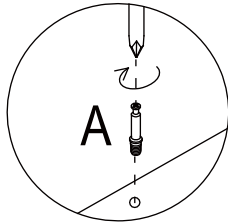
B



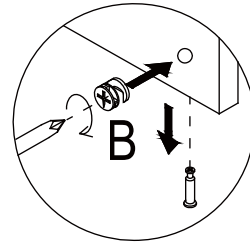
4 pcs



01

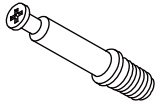


02



6

A



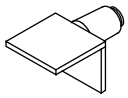
4 pcs

B



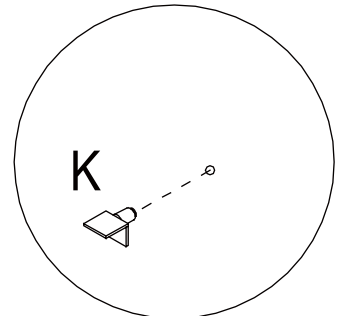
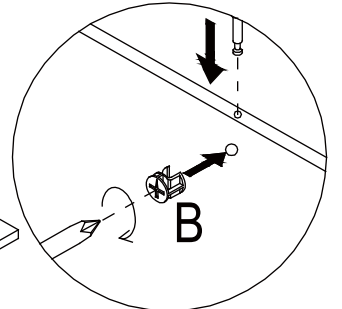
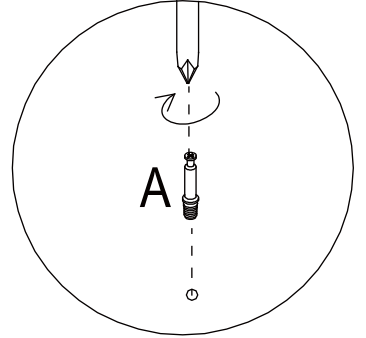
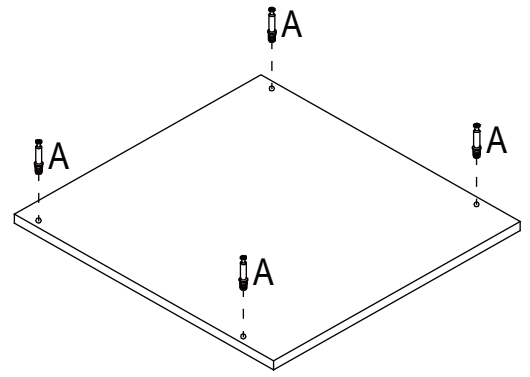
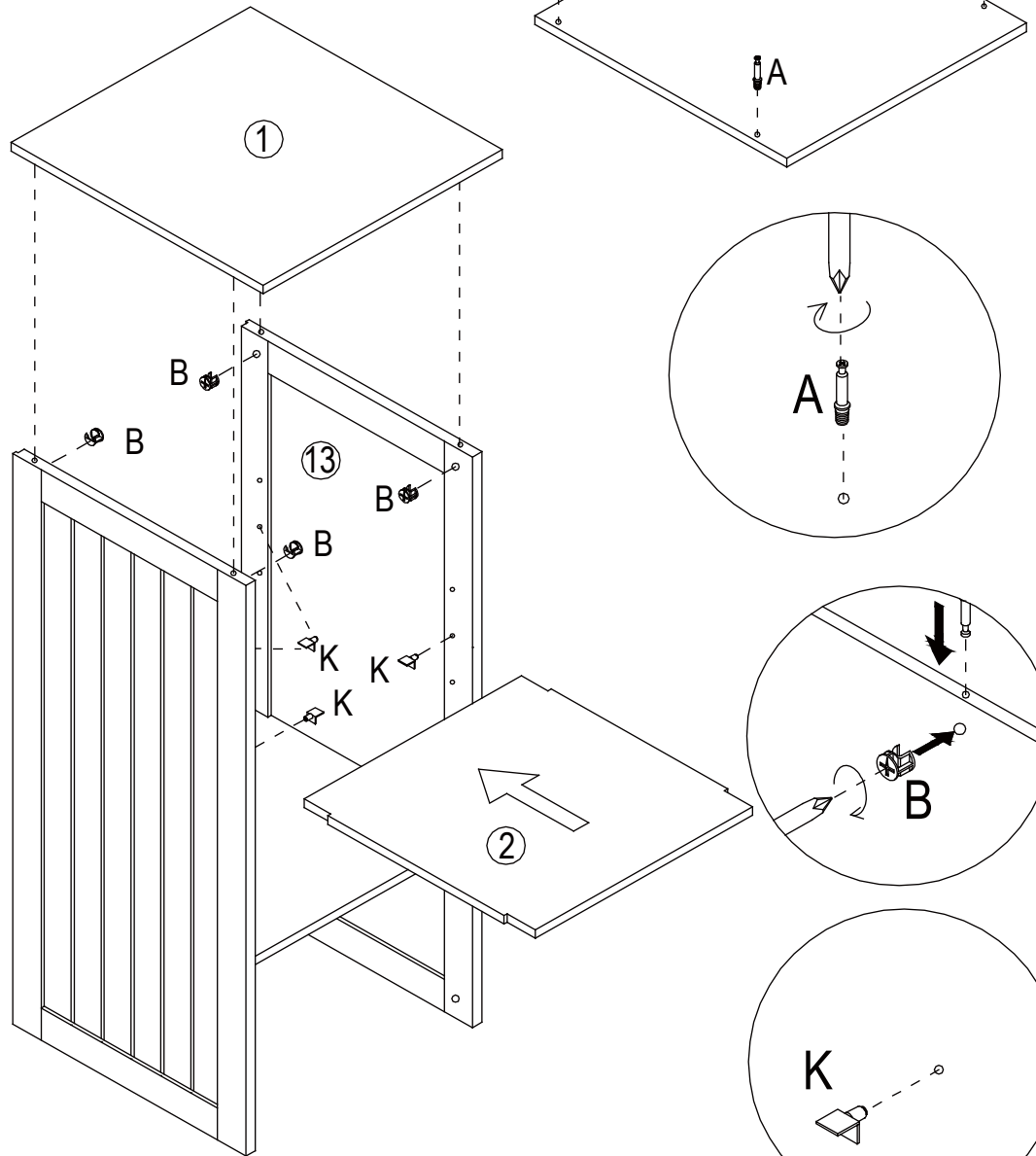
4 pcs

K



4 pcs

11



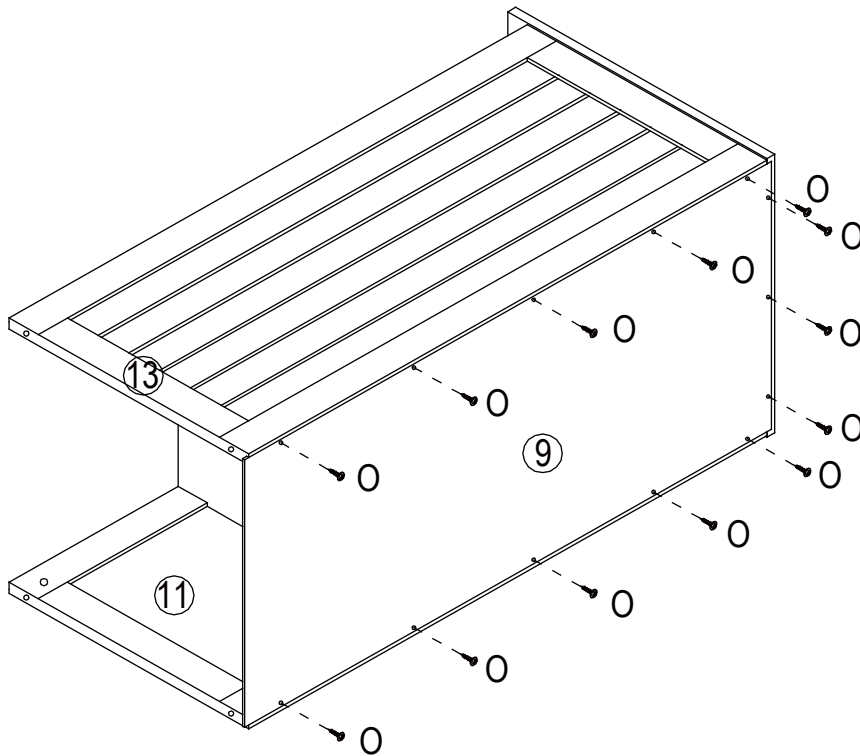
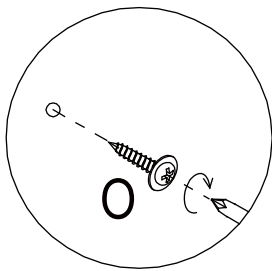
7

0

2.5 * 10mm



13 pcs



8

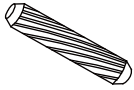
B



4 pcs

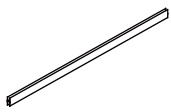
C

6*30mm



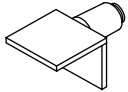
4 pcs

D



1 pc

K



4 pcs

