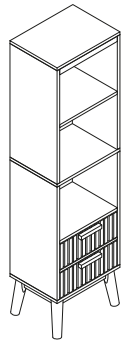


KLAUS 2-DRAWER COLUMN

ASSEMBLY INSTRUCTIONS



153055



IMPORTANT, READ CAREFULLY AND KEEP FOR FUTURE REFERENCE.

Warnings:

Take care to have sufficient cleared space available to assemble the product to avoid any risk of damage.

Check that all parts are present before starting assembly.

Do not assemble or use this piece of furniture if any parts are broken, damaged or missing, and only use spare parts approved by the manufacturer.

Only use the tools supplied or recommended.

Tighten the connecting pieces correctly with the tools supplied or recommended. Poor assembly, tightening or handling may lead to weakening of the assembly and/or the parts.

Keep away from young children during assembly.

Small parts are present which pose a risk of ingestion.

It is advisable to check that all parts of the assembly are correctly tightened, checked regularly, and re-tightened, if necessary.

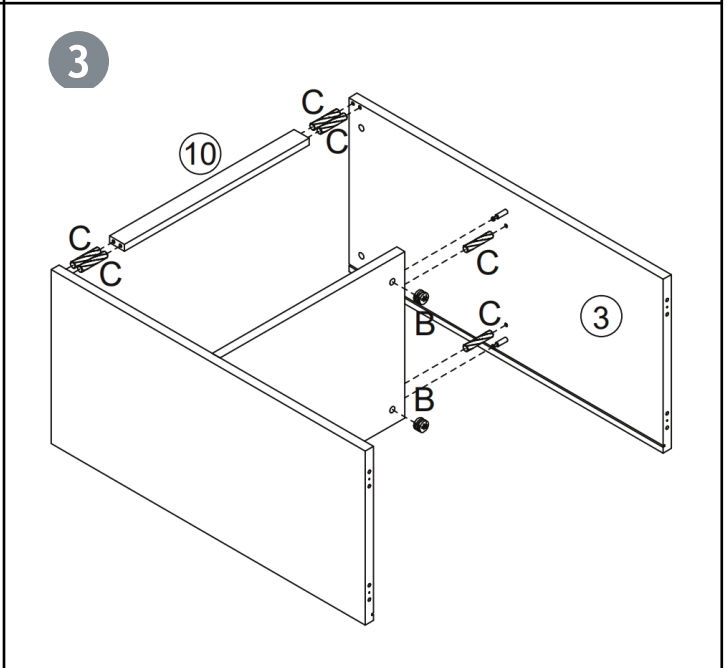
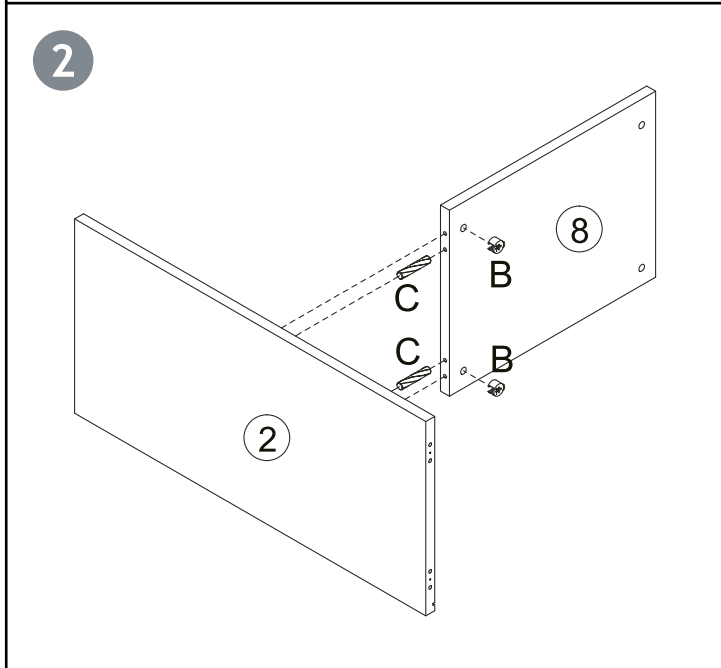
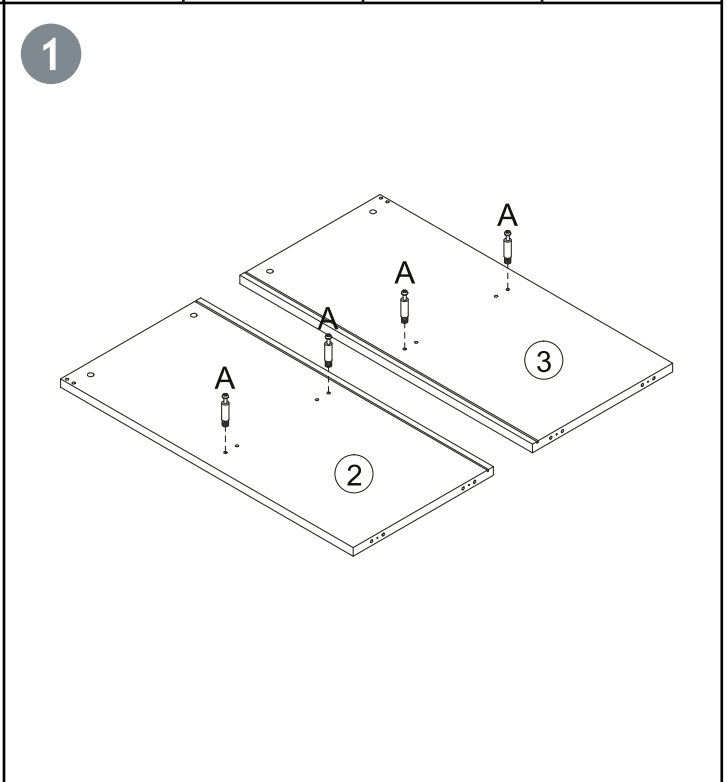
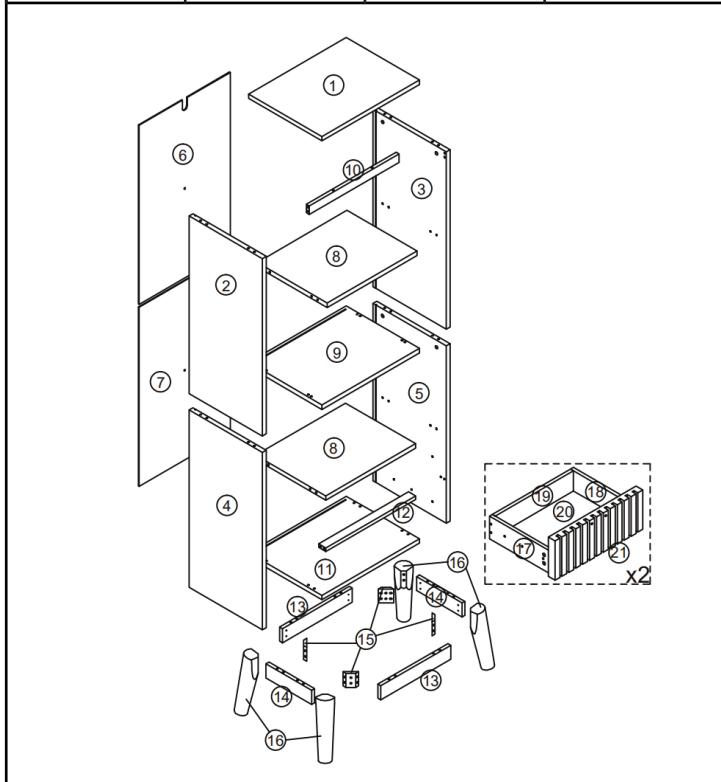
- Do not move laden furniture.
- A screwdriver will be needed to assemble the furniture.
- Wall attachment device included. Wall attachment screws not included.
- Risk of injury in the event of the furniture falling or tipping if it is not permanently attached to the wall.
- **WARNING:** In order to prevent falling, this product should be used with the wall fixing devices supplied.
- **WARNING:** In order to prevent this product tipping over, the fixing devices supplied should be used.
- **WARNING:** Check the suitability of the wall/ceiling in order to be sure that the fixing devices will stand up to the force required.
- In the event of uncertainty about the correct hardware to use for attaching to the wall, please ask a specialist for advice.
- Furniture not advised to be taken apart.

Care and cleaning:

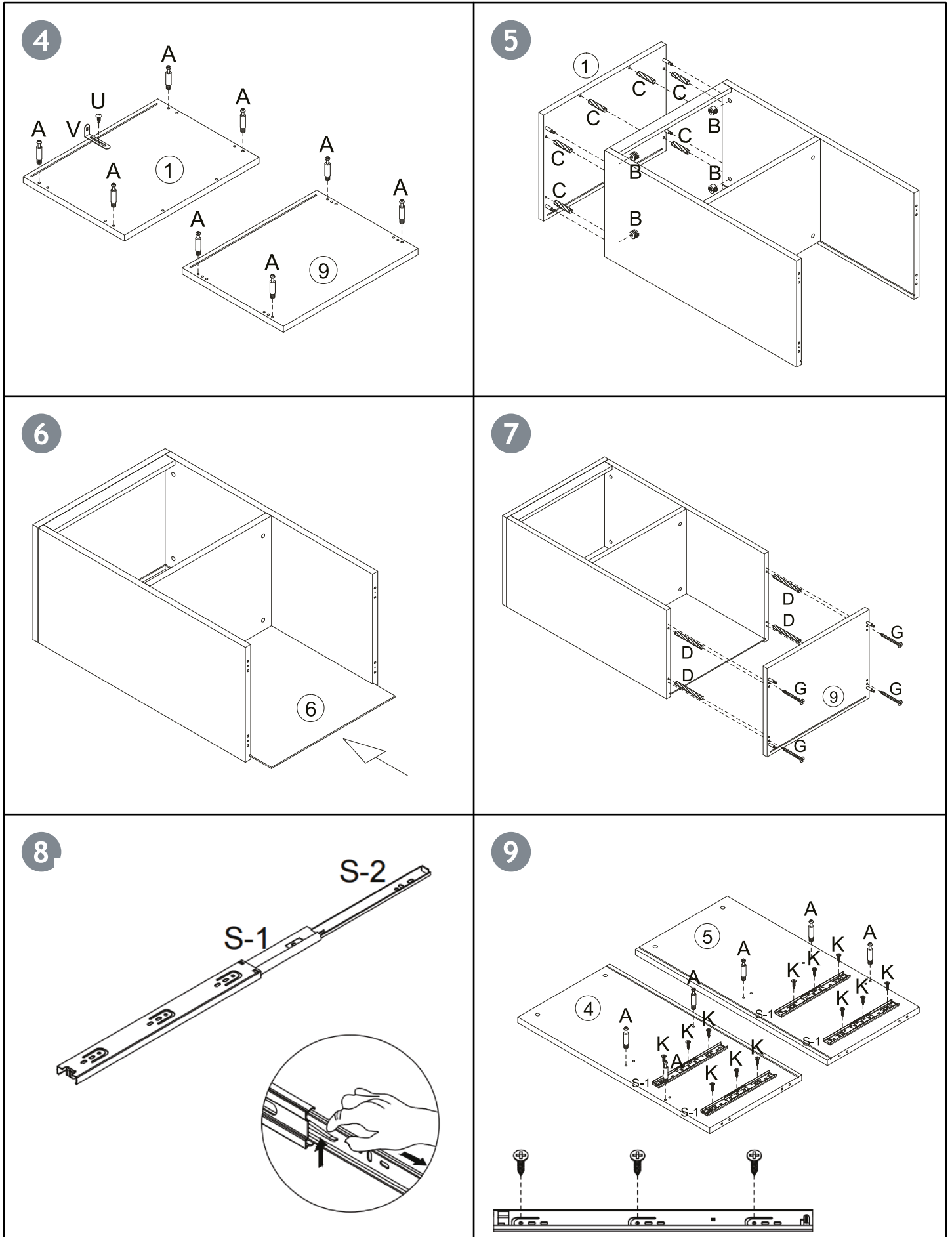
The product can be easily cleaned with a slightly damp sponge, but do not use abrasive sponges or harsh detergent.

ASSEMBLY

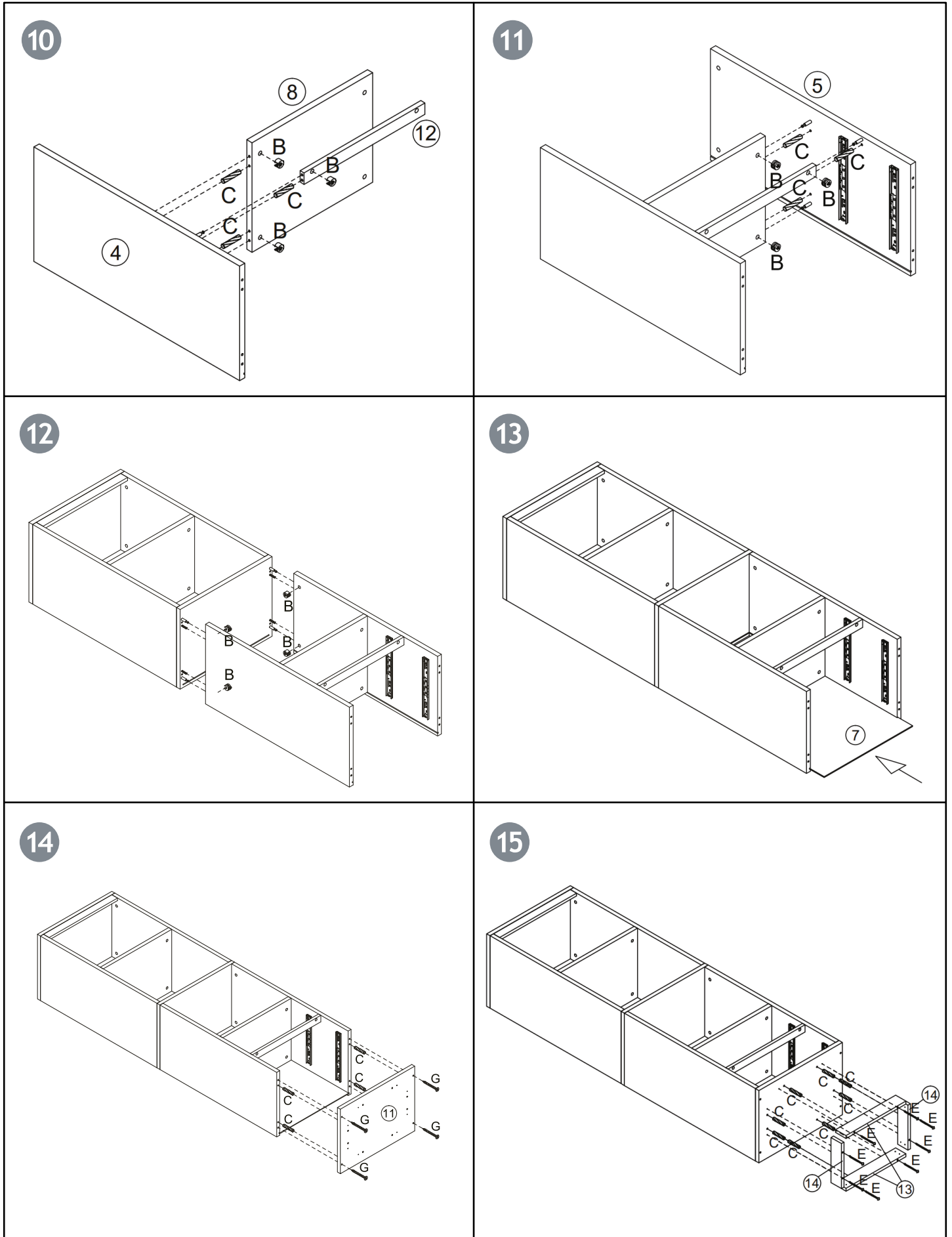
Ax26	Bx26	Cx32	Dx4	5x50mm Ex8	4x40mm Fx4	4x35mm Gx17	4x20mm Hx16
3x14mm Jx8	3x12mm Kx20	6x45mm Lx8	Mx8	Nx8	Ox1	Px2	Qx8
Sx4	3x14mm Tx2	4x12mm Ux1	Vx1				



ASSEMBLY



ASSEMBLY

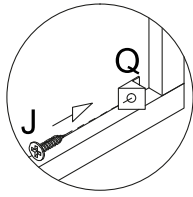
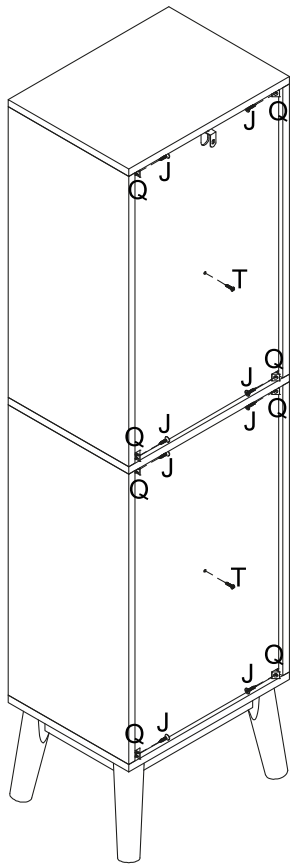


ASSEMBLY

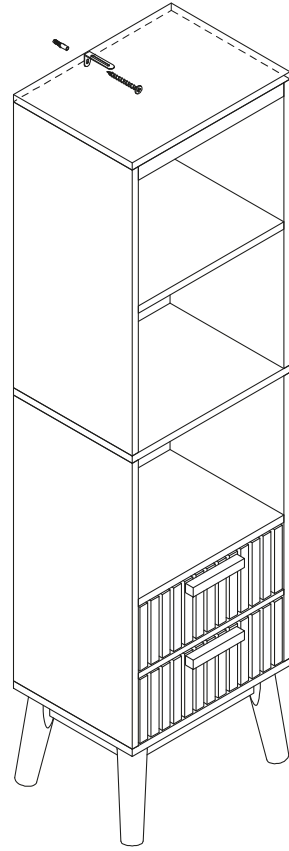
<p>16</p>	<p>17</p>
<p>18</p> <p>x2</p>	<p>19</p> <p>x2</p>
<p>20</p> <p>x2</p>	<p>21</p>

ASSEMBLY

22



23



24

