



CONSOLE KLAUS

ASSEMBLY INSTRUCTIONS

153051



IMPORTANT, READ CAREFULLY AND KEEP FOR FUTURE REFERENCE.

Warnings:

Take care to have sufficient cleared space available to assemble the product to avoid any risk of damage.

Check that all parts are present before starting assembly.

Do not assemble or use this piece of furniture if any parts are broken, damaged or missing, and only use spare parts approved by the manufacturer.

Only use the tools supplied or recommended.

Tighten the connecting pieces correctly with the tools supplied or recommended.

Poor assembly, tightening or handling may lead to weakening of the assembly and/or the parts.

Keep away from young children during assembly.

Small parts are present which pose a risk of ingestion.

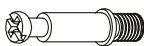
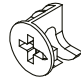

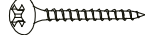
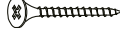
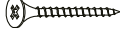



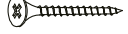


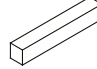
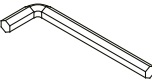




It is advisable to check that all parts of the assembly are correctly tightened, checked regularly, and re-tightened, if necessary.

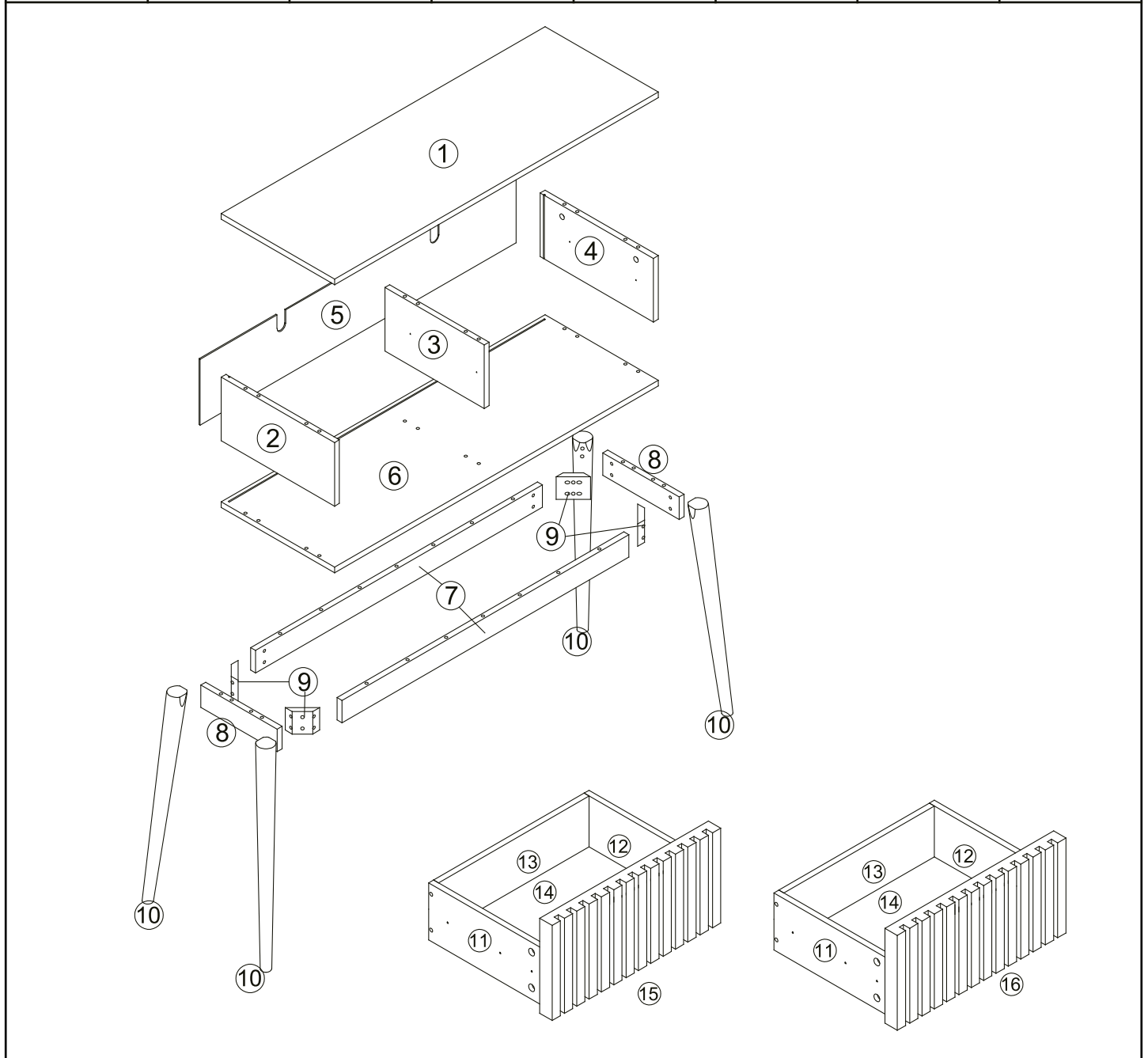
- Do not move laden furniture.
- A screwdriver will be needed to assemble the furniture.
- Wall attachment device included. Wall attachment screws not included.
- Risk of injury in the event of the furniture falling or tipping if it is not permanently attached to the wall.
- WARNING: In order to prevent falling, this product should be used with the wall fixing devices supplied.
- WARNING: In order to prevent this product tipping over, the fixing devices supplied should be used.
- WARNING: Check the suitability of the wall/ceiling in order to be sure that the fixing devices will stand up to the force required.
- In the event of uncertainty about the correct hardware to use for attaching to the wall, please ask a specialist for advice.
- Caution, the extendible part can be removed from the item.
- Furniture not advised to be taken apart.

Care and cleaning:

The product can be easily cleaned with a slightly damp sponge, but do not use abrasive sponges or harsh deterg.

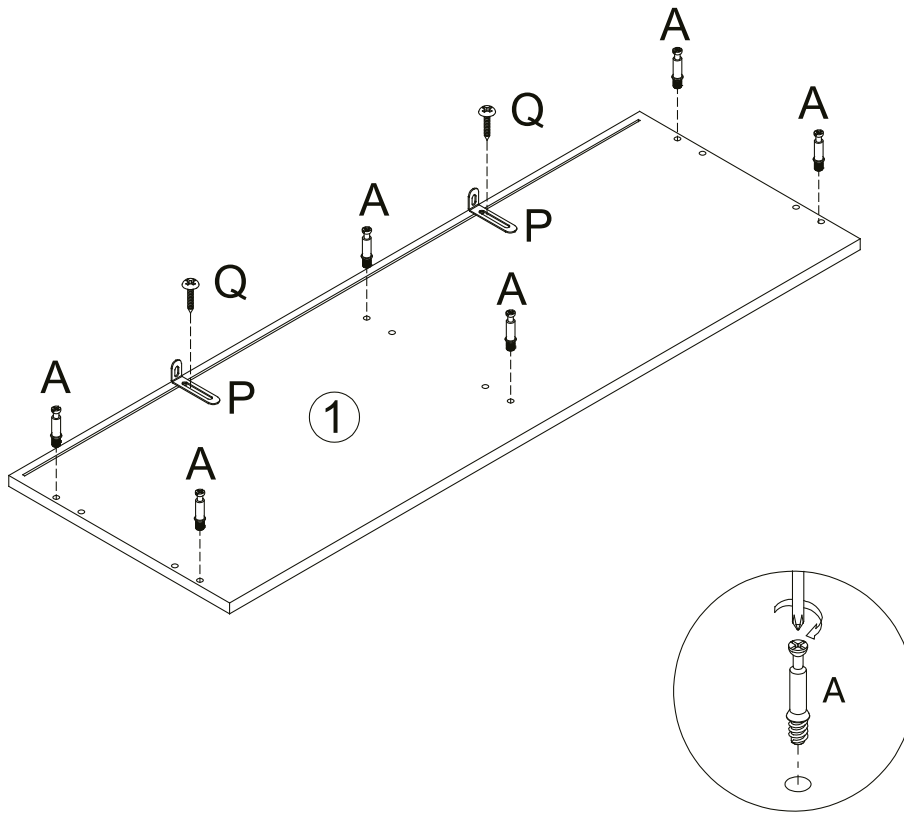
ASSEMBLY

 A x 14	 B x 14	 C x 22	 5 x 50mm D x 12	 4 x 40mm E x 4	 4 x 35mm F x 14	 6 x 45mm G x 8	 H x 8
 J x 8	 4 x 20mm K x 16	 3 x 12mm L x 24	 M x 4	 N x 2	 O x 1	 P x 2	 Q x 2
 S x 4	 3 x 14mm U x 4						

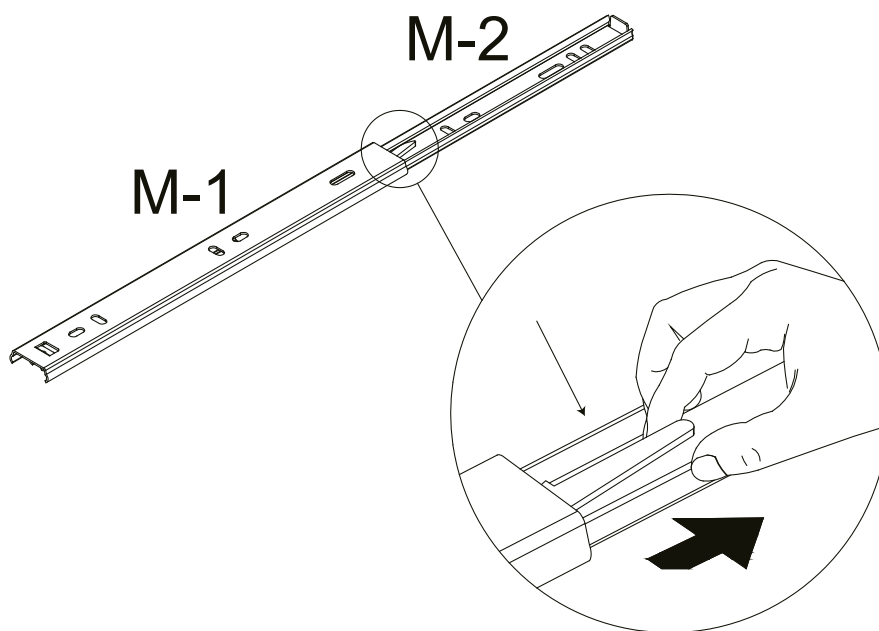


ASSEMBLY

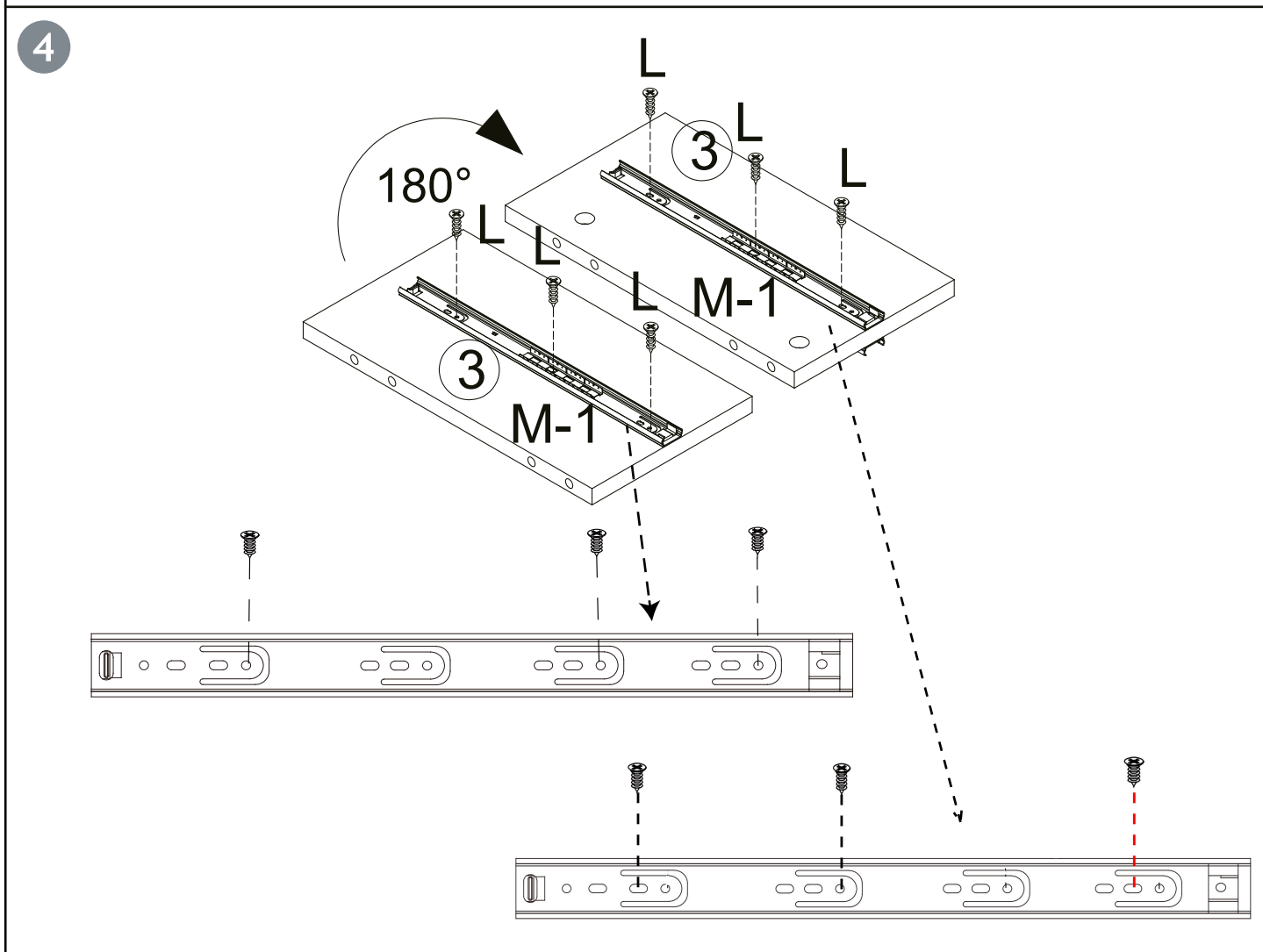
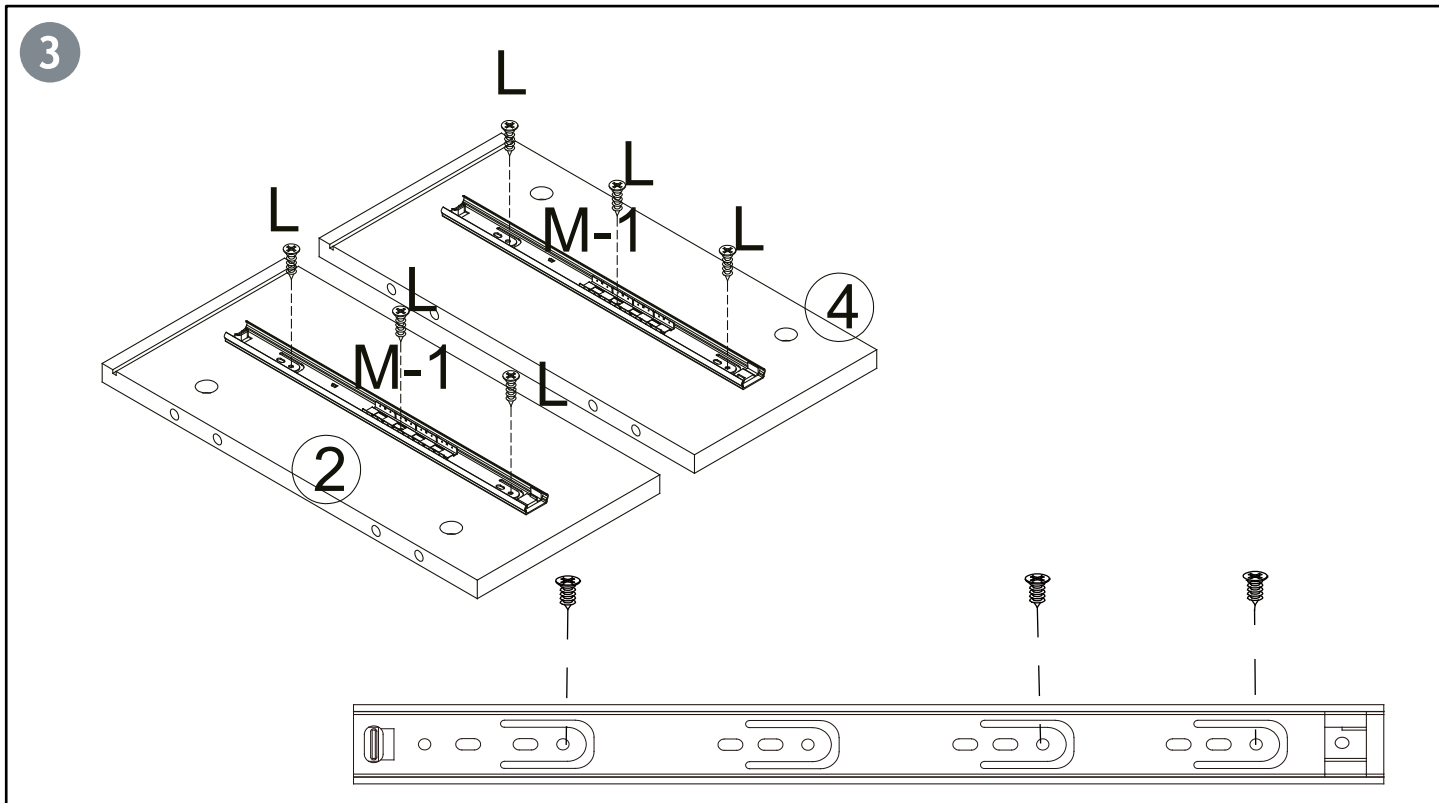
1



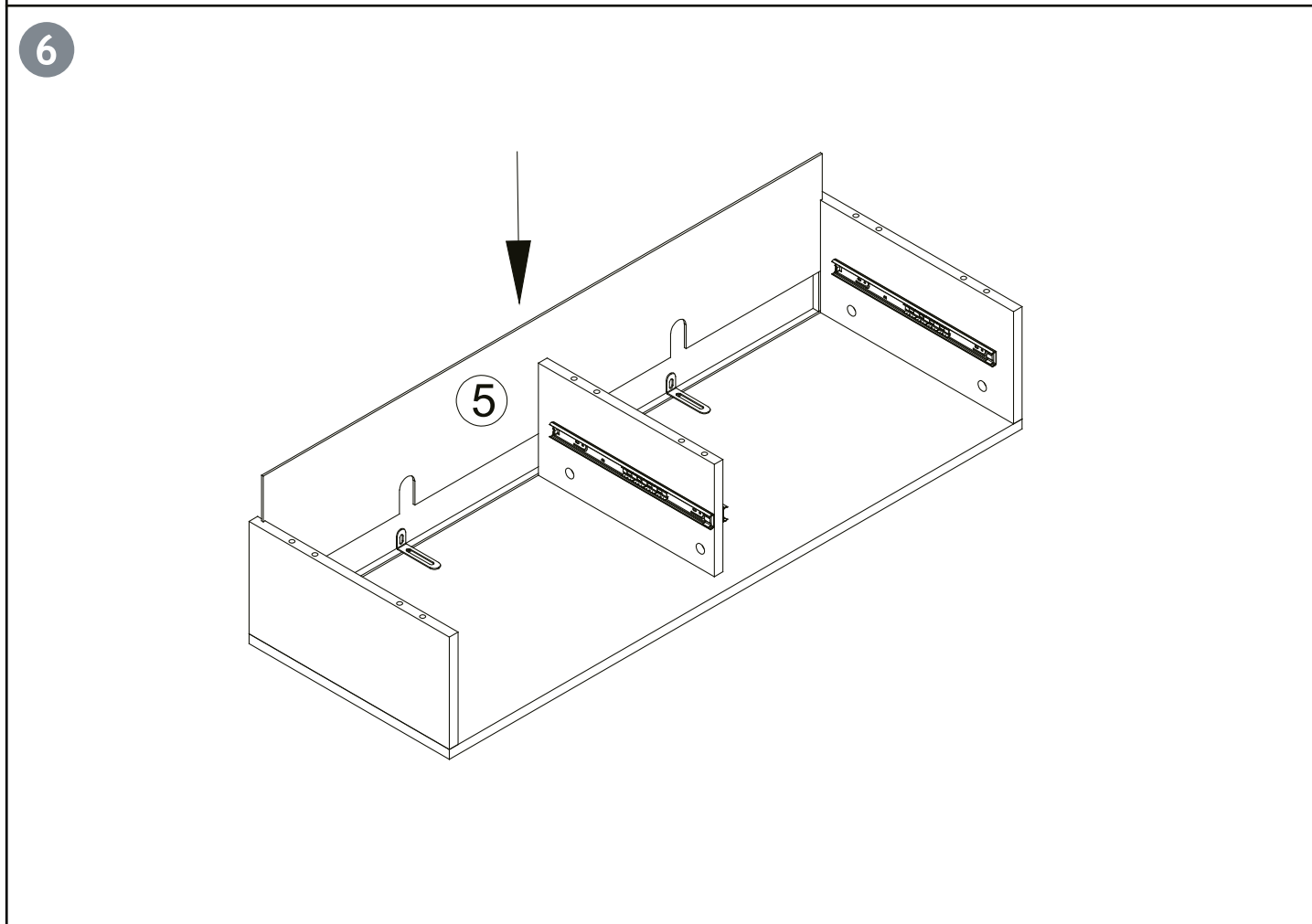
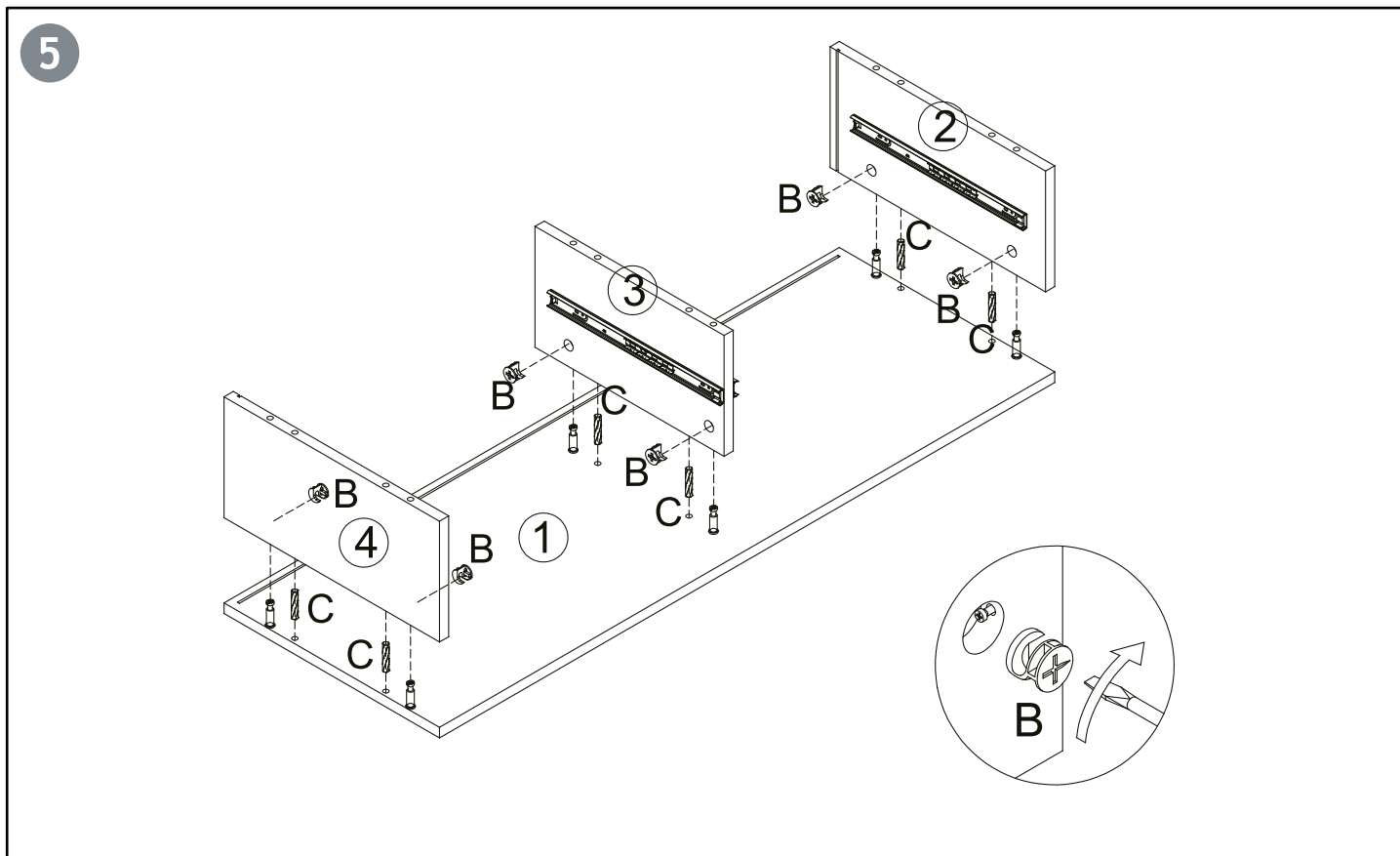
2



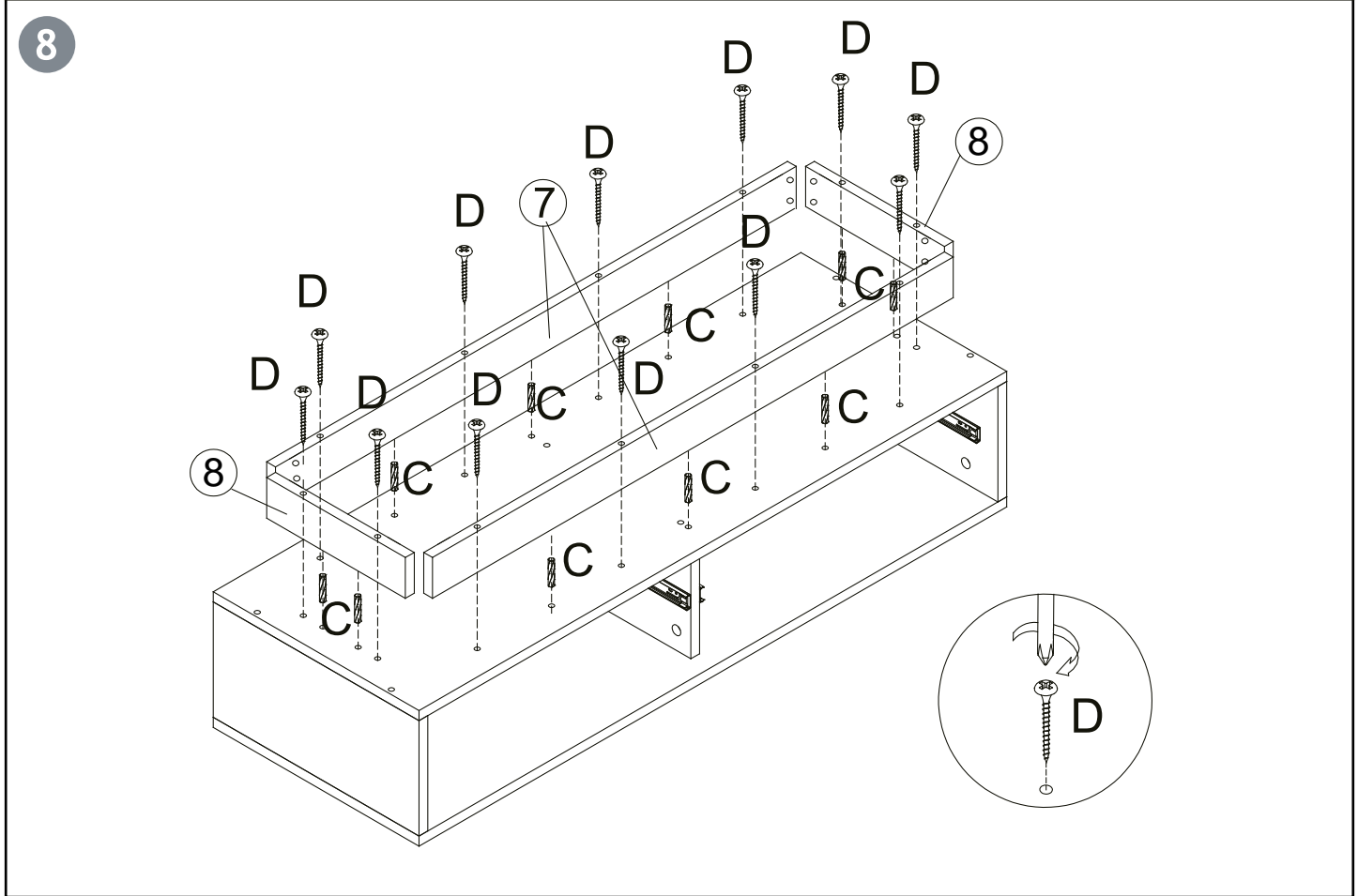
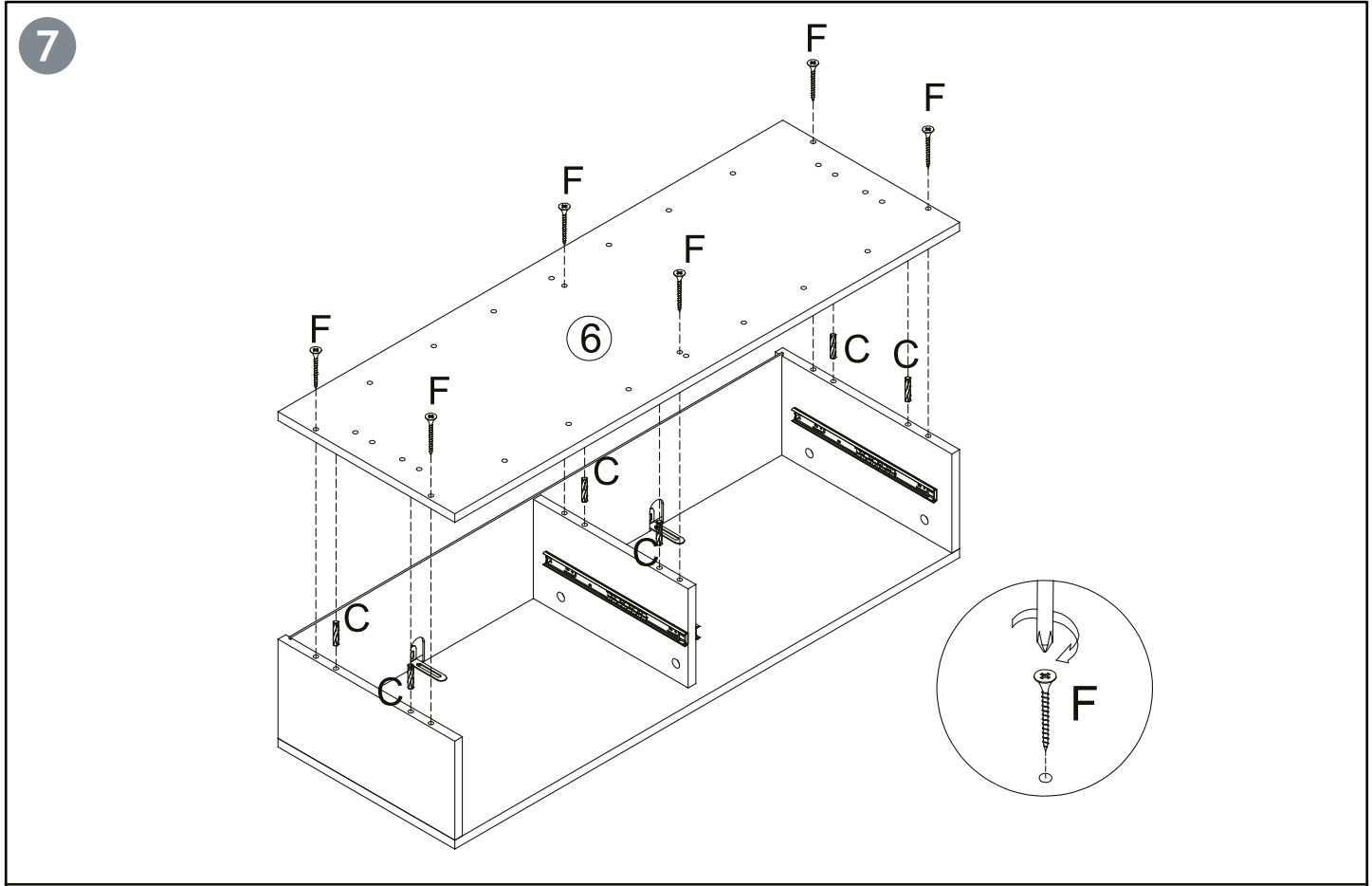
ASSEMBLY



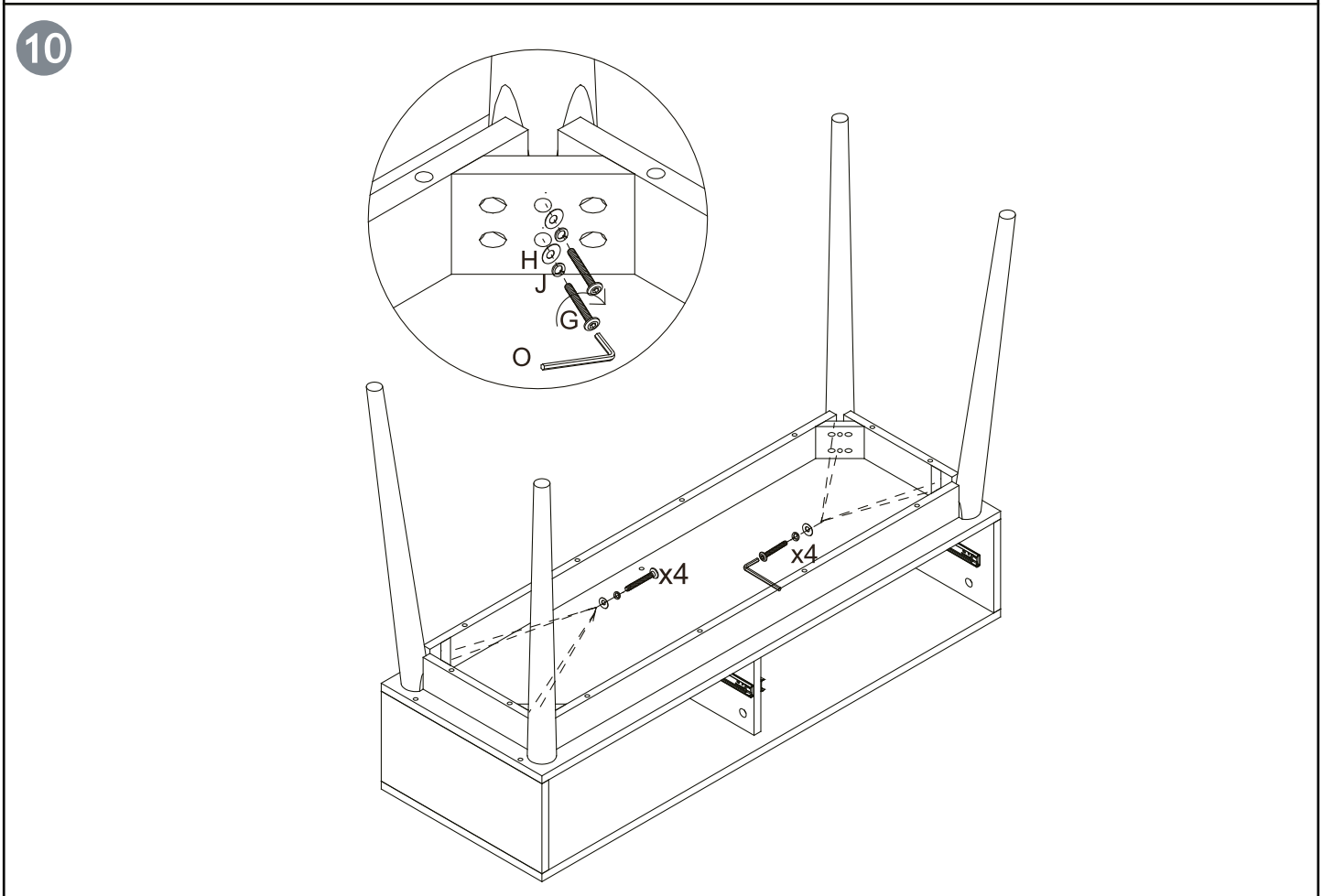
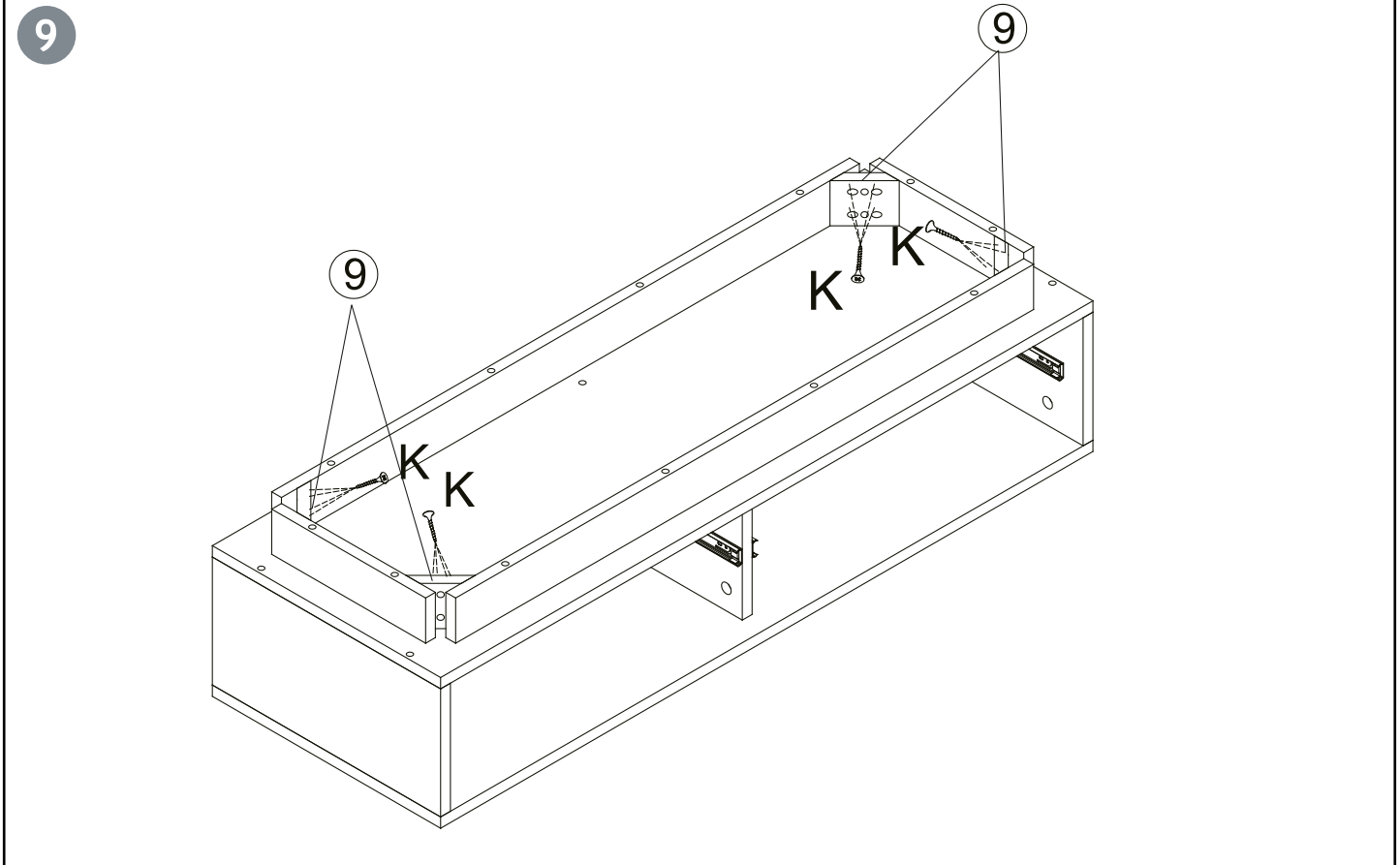
ASSEMBLY



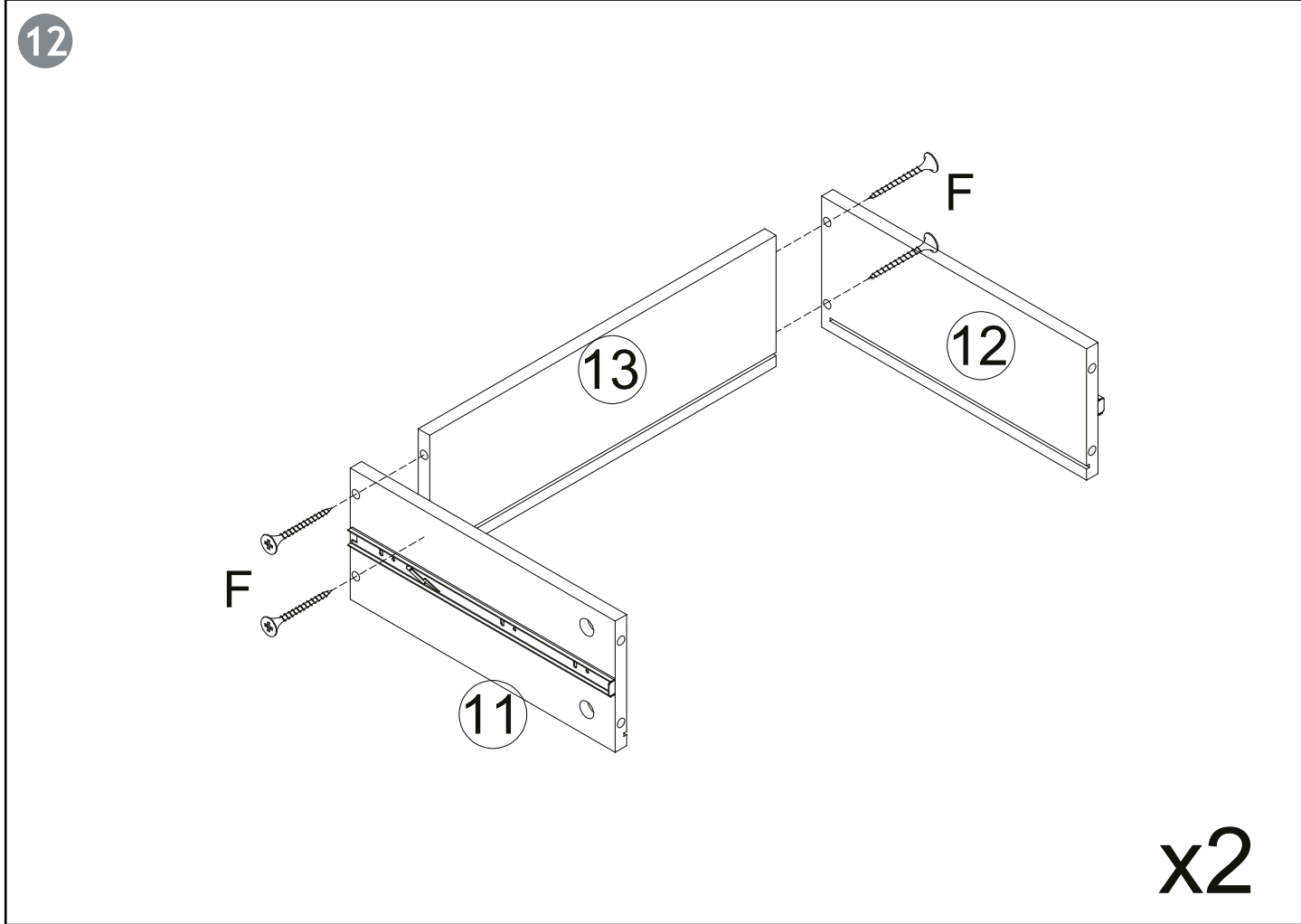
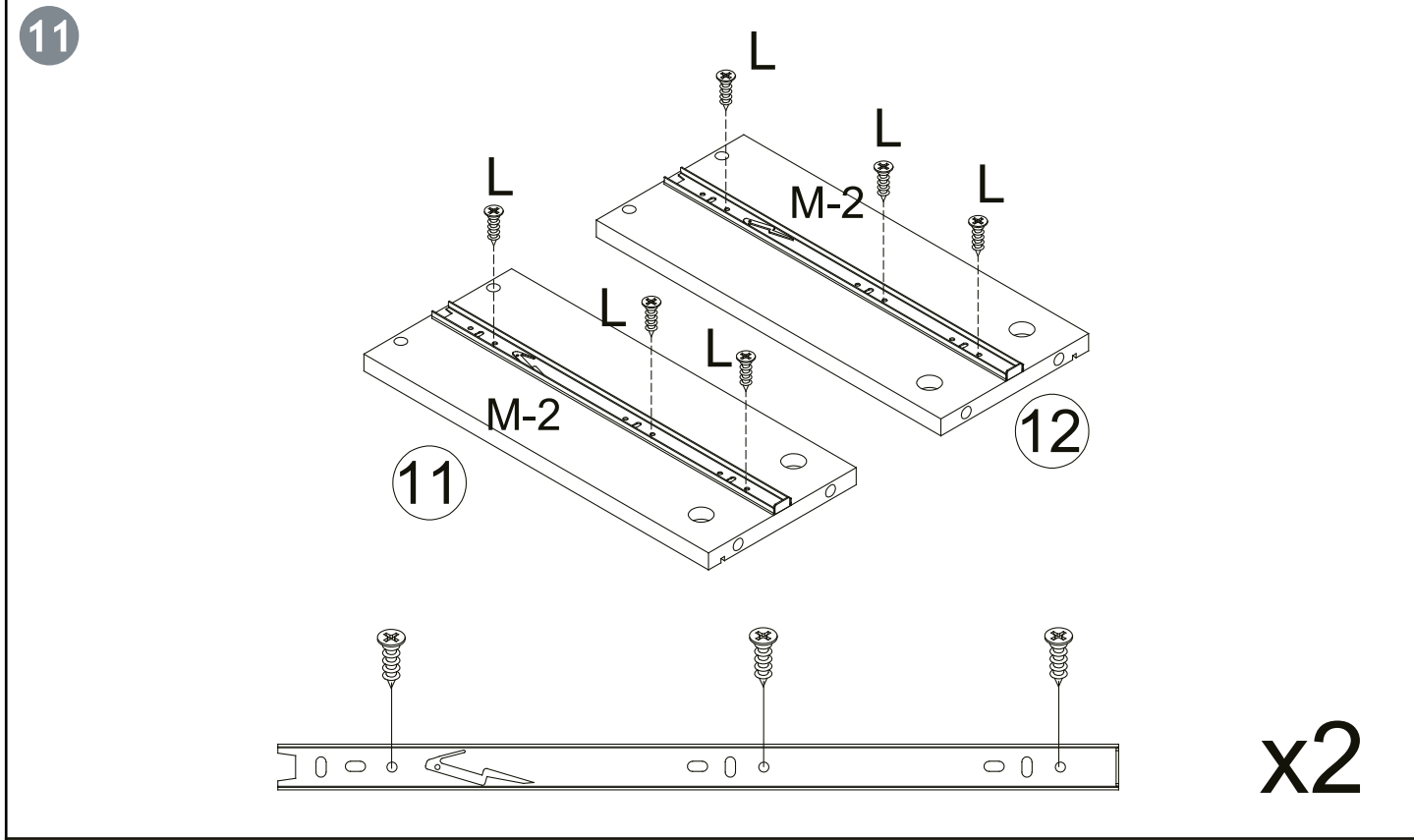
ASSEMBLY



ASSEMBLY

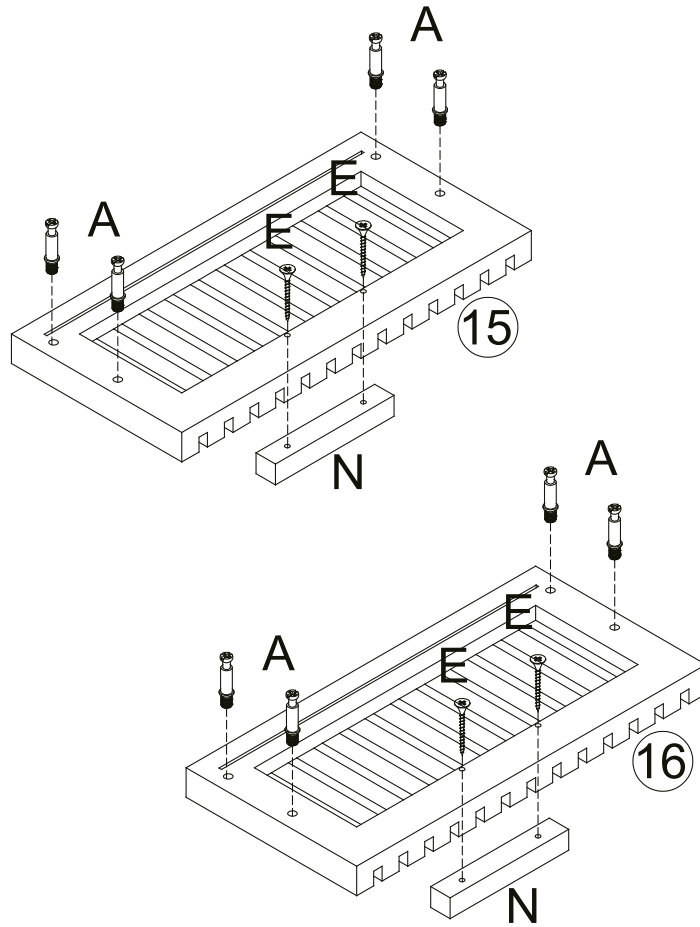


ASSEMBLY

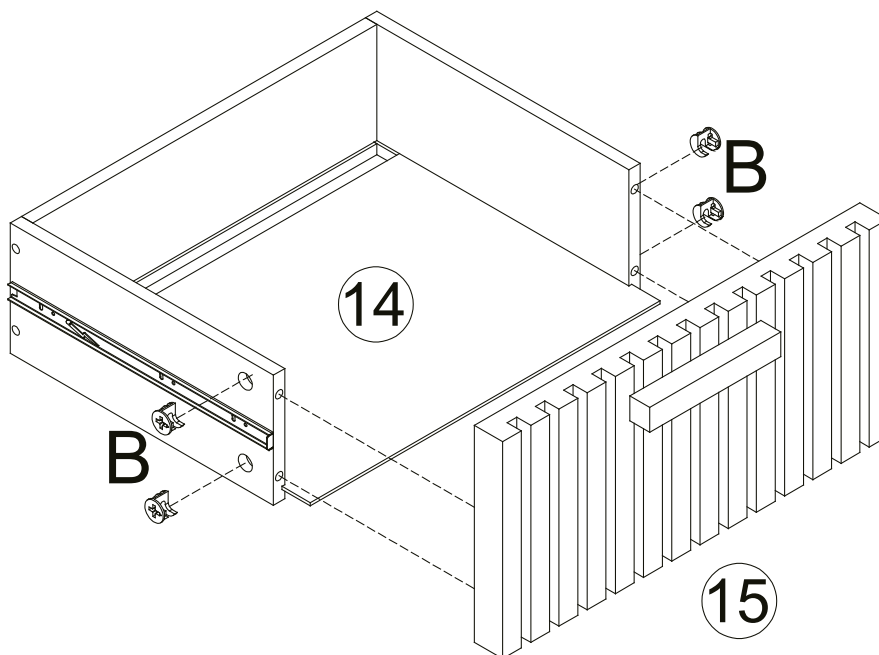


ASSEMBLY

13

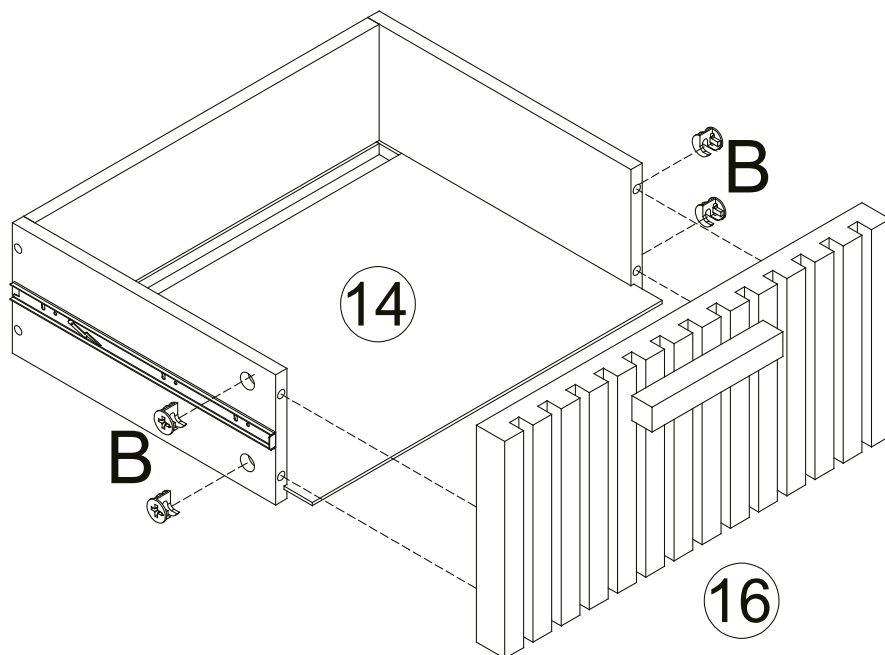


14

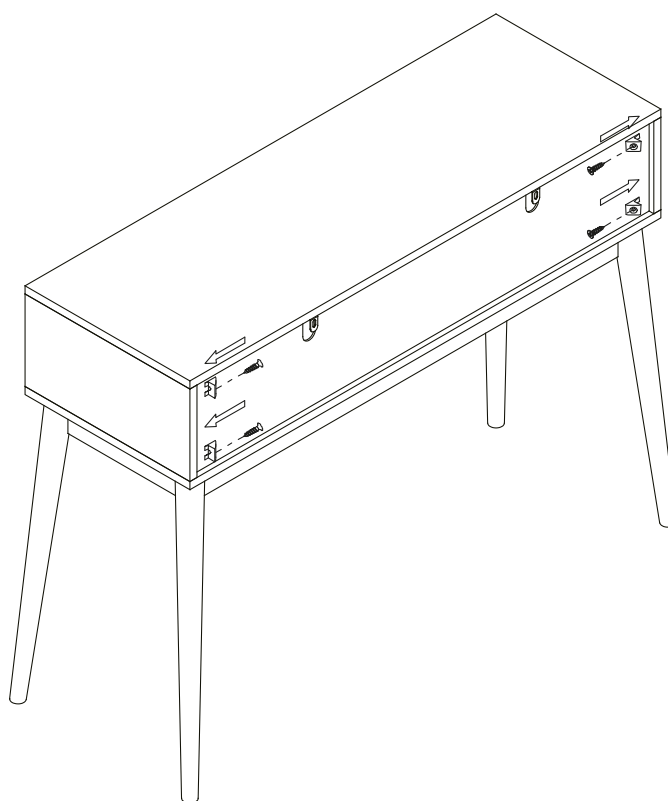


ASSEMBLY

15

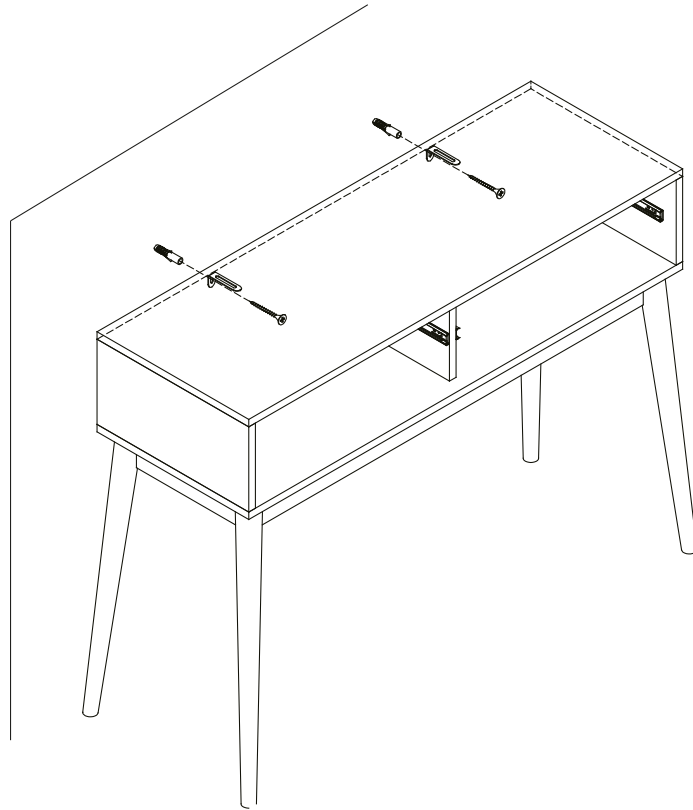


16



ASSEMBLY

17



18

