

## COFFEE TABLE KLAUS

### ASSEMBLY INSTRUCTIONS

153050



x1



**IMPORTANT, READ CAREFULLY AND KEEP FOR FUTURE REFERENCE.**

#### Warnings:

Take care to have sufficient cleared space available to assemble the product to avoid any risk of damage.

Check that all parts are present before starting assembly.

Do not assemble or use this piece of furniture if any parts are broken, damaged or missing, and only use spare parts approved by the manufacturer.

Only use the tools supplied or recommended.

Tighten the connecting pieces correctly with the tools supplied or recommended.

Poor assembly, tightening or handling may lead to weakening of the assembly and/or the parts.

Keep away from young children during assembly.

Small parts are present which pose a risk of ingestion.

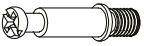
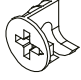


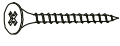
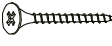



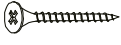

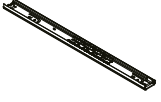
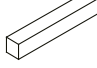
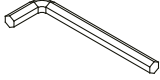
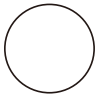
It is advisable to check that all parts of the assembly are correctly tightened, checked regularly, and re-tightened, if necessary.

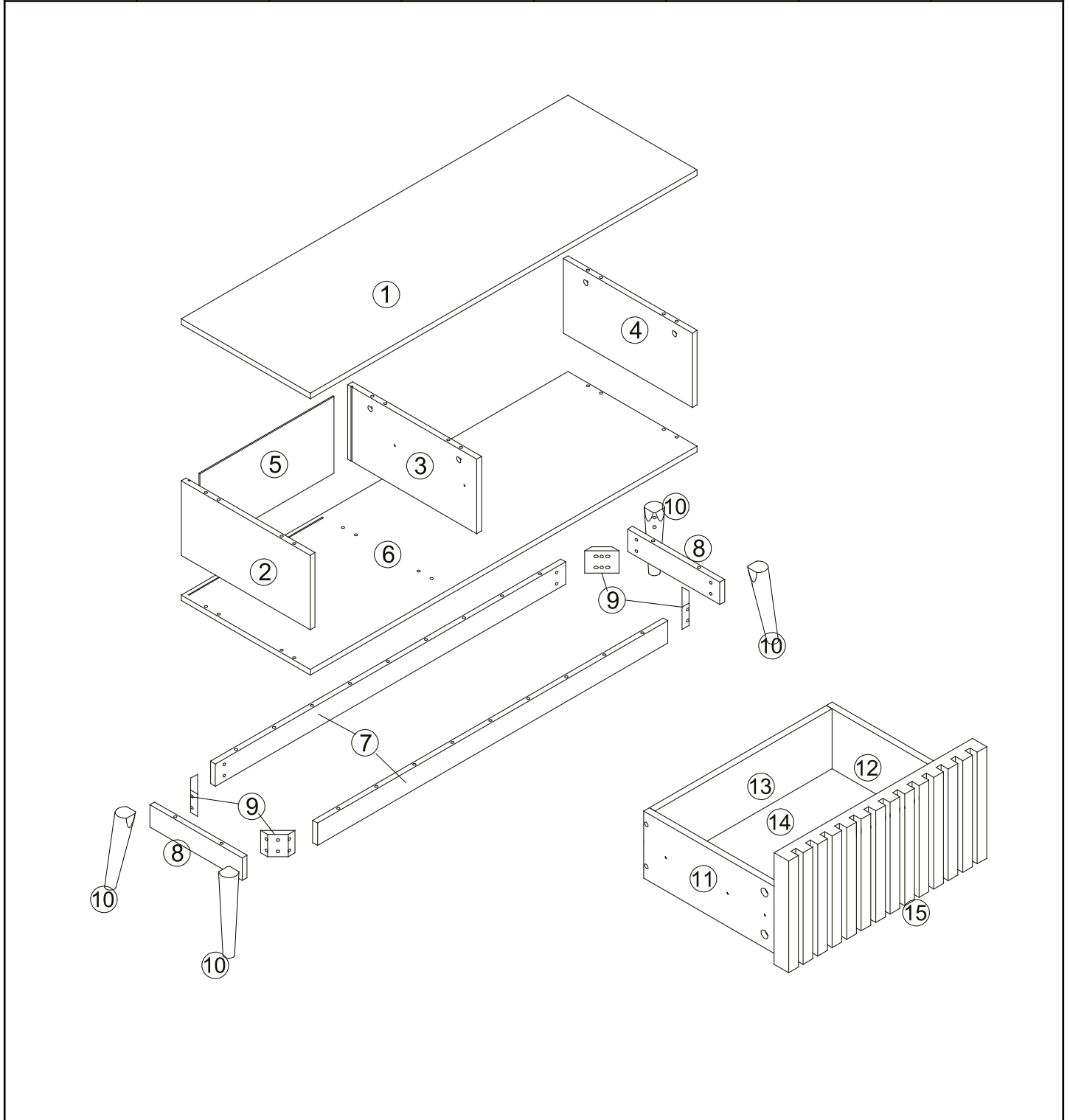
- Do not move laden furniture.
- A screwdriver will be needed to assemble the furniture.
- Caution, the extendible part can be removed from the item.
- Furniture not advised to be taken apart.

#### Care and cleaning:

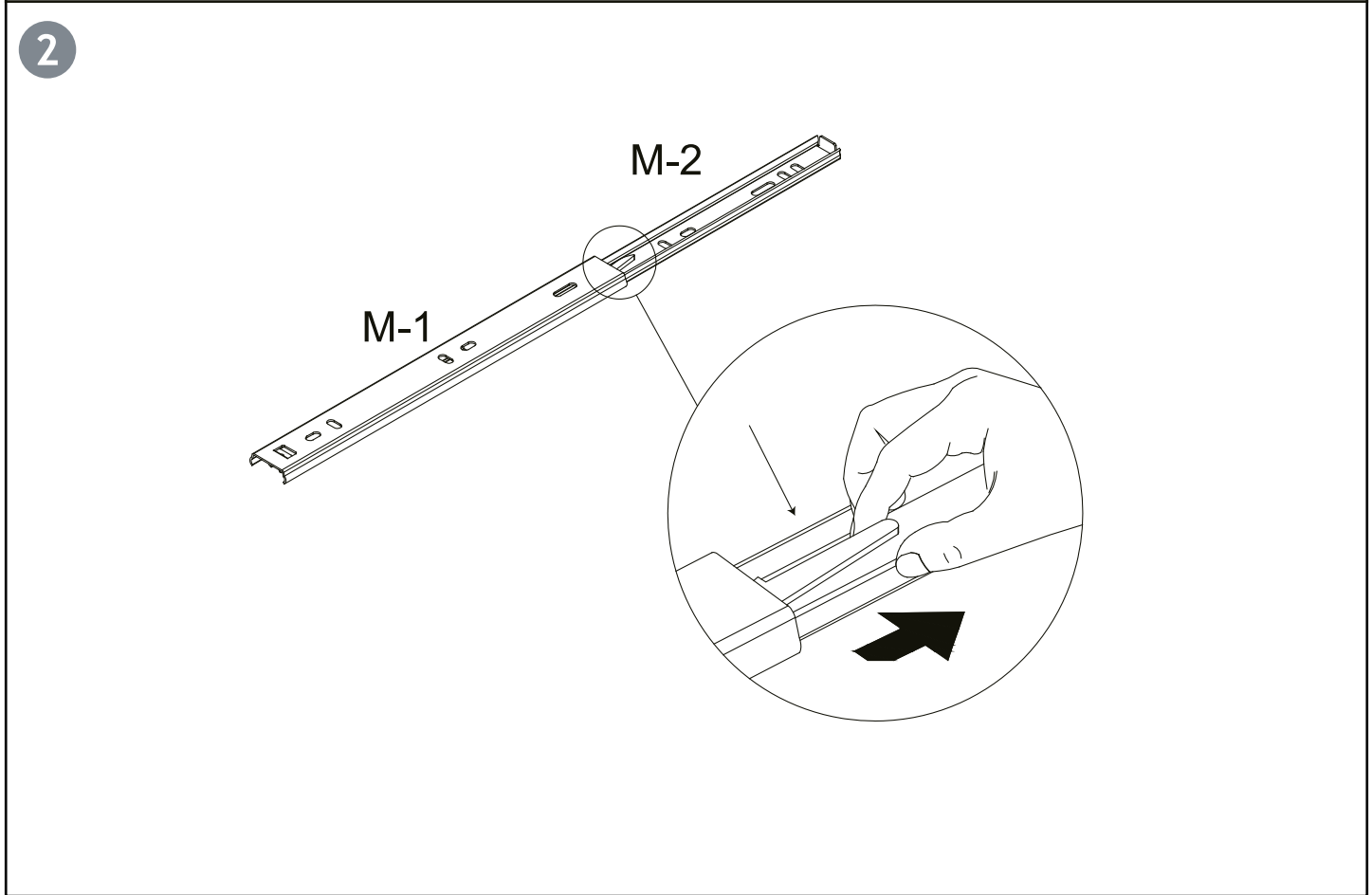
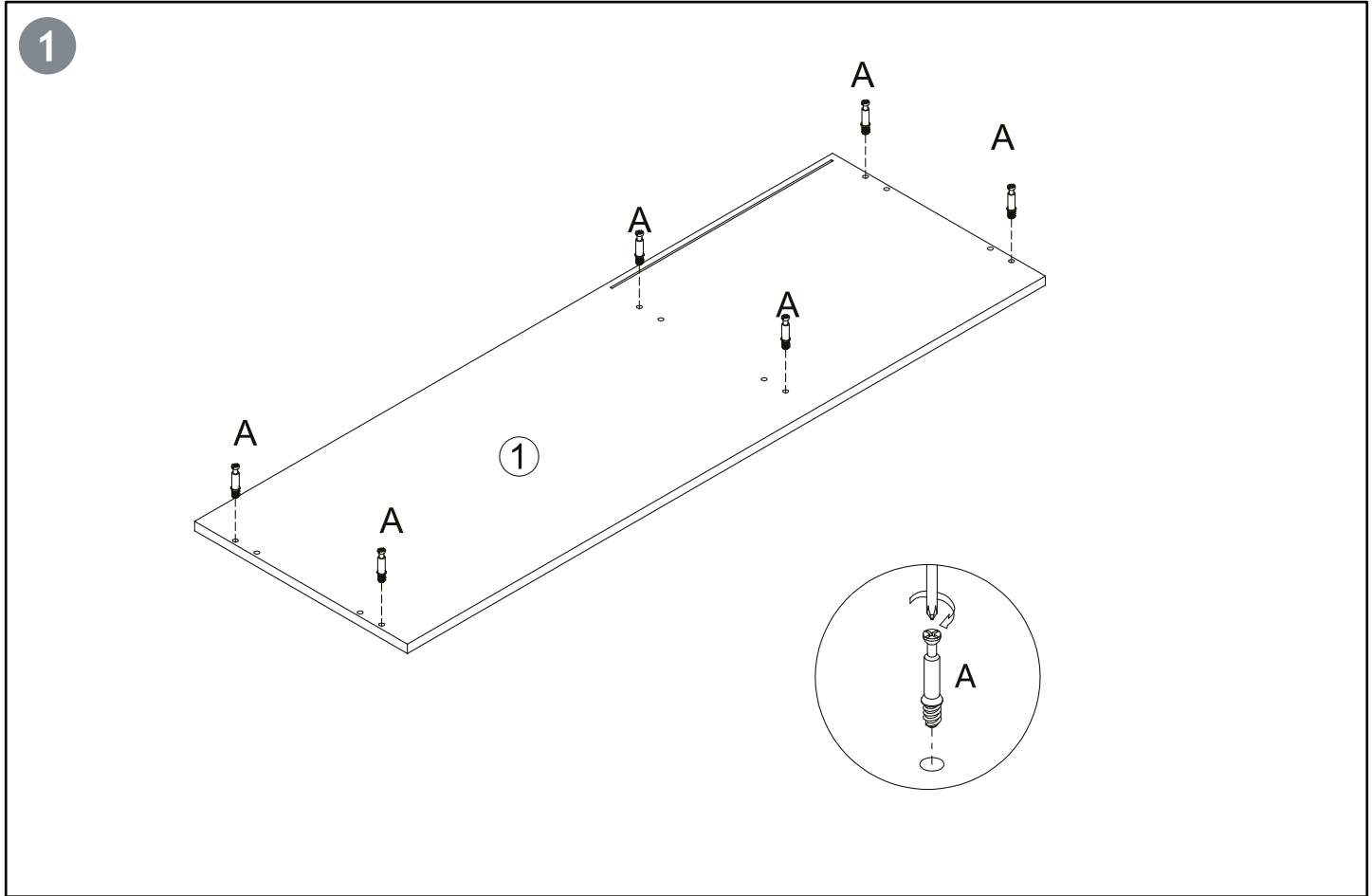
The product can be easily cleaned with a slightly damp sponge, but do not use abrasive sponges or harsh detergent.

# ASSEMBLY

							
A x 10	B x 10	C x 22	5 x 50mm D x 12	4 x 40mm E x 2	4 x 35mm F x 10	6 x 45mm G x 8	H x 8
							
J x 8	4 x 20mm K x 16	3 x 12mm L x 12	M x 2	N x 1	O x 1	P x 2	

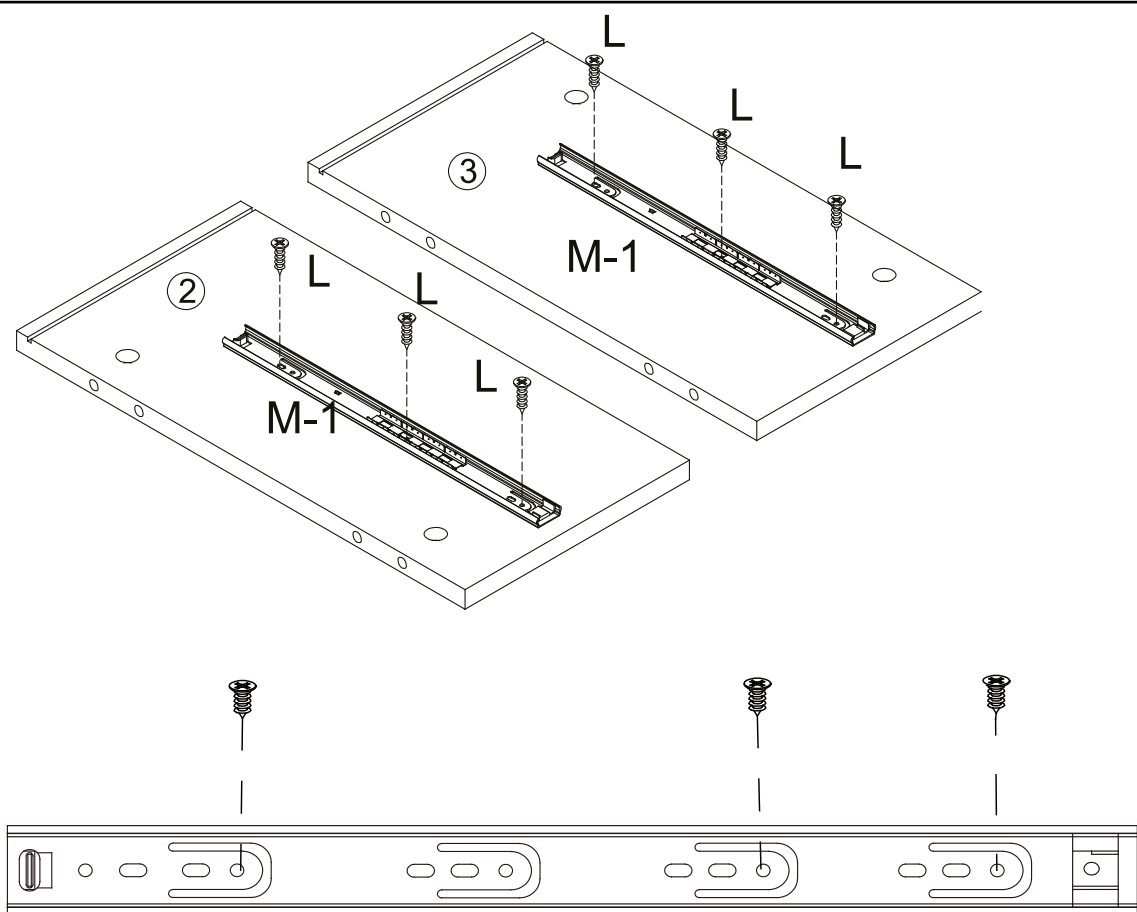


# ASSEMBLY

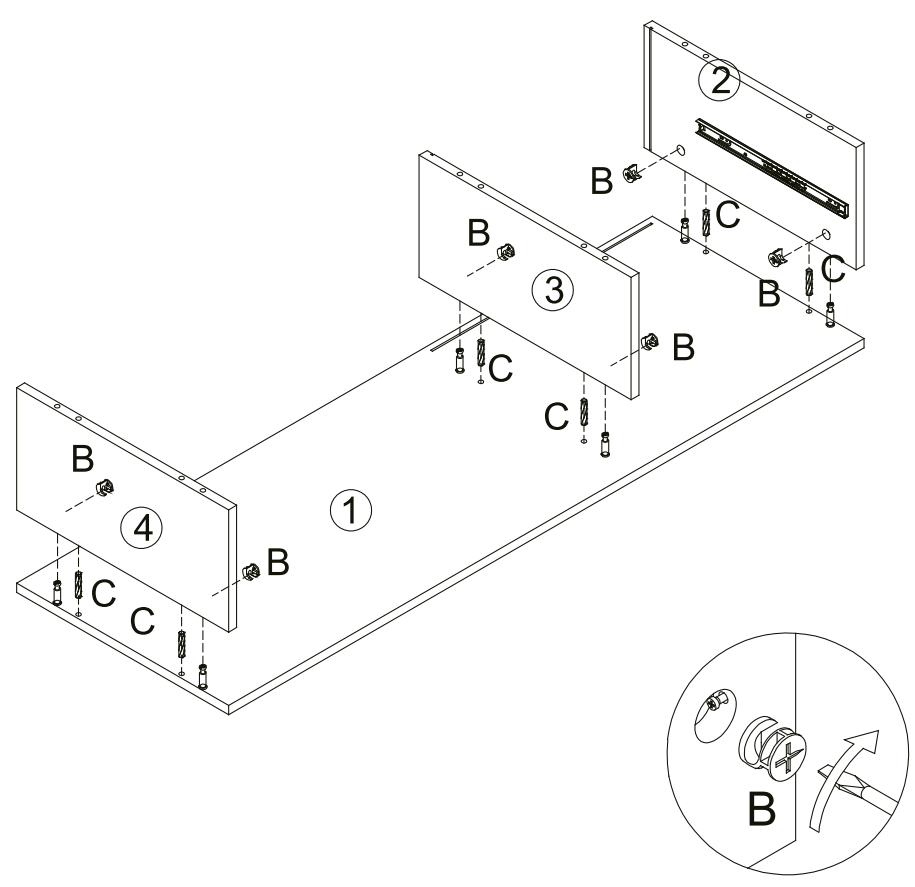


# ASSEMBLY

3

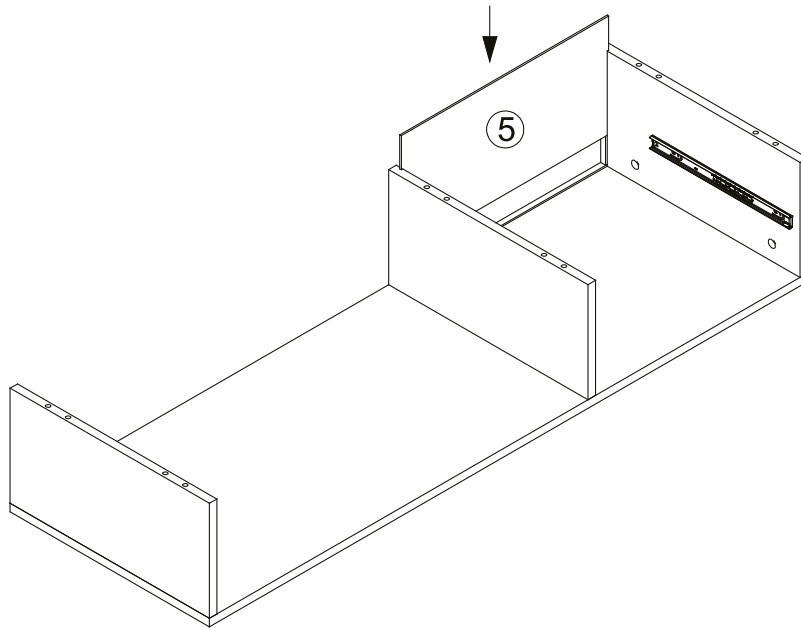


4

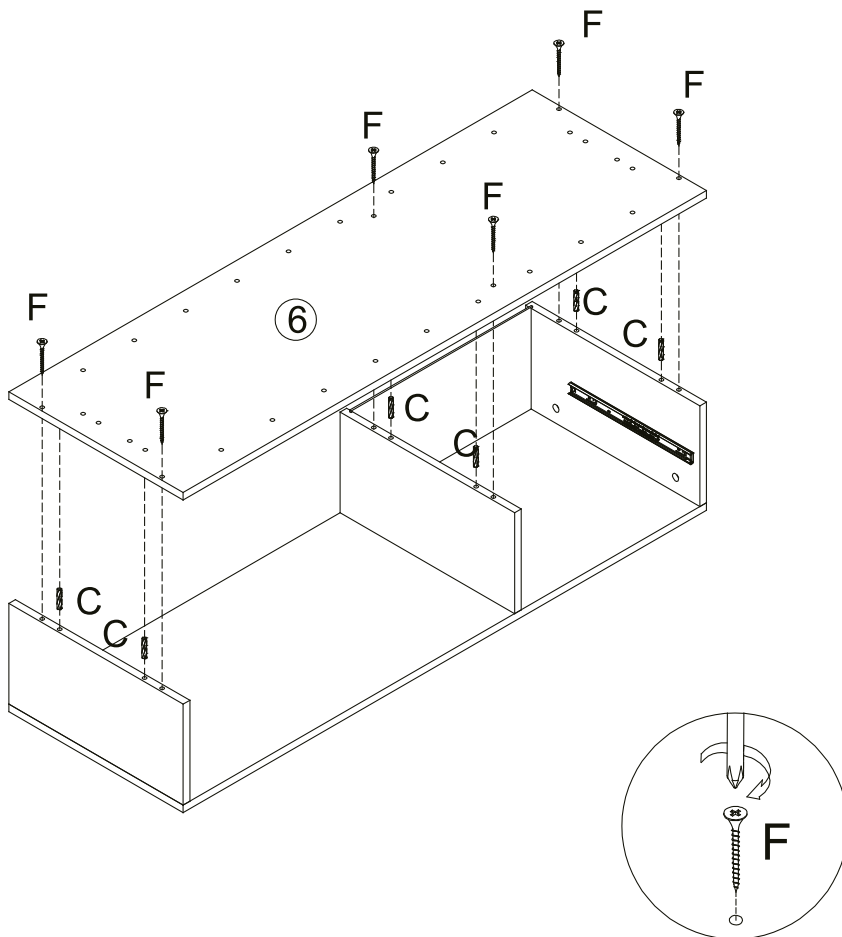


# ASSEMBLY

5



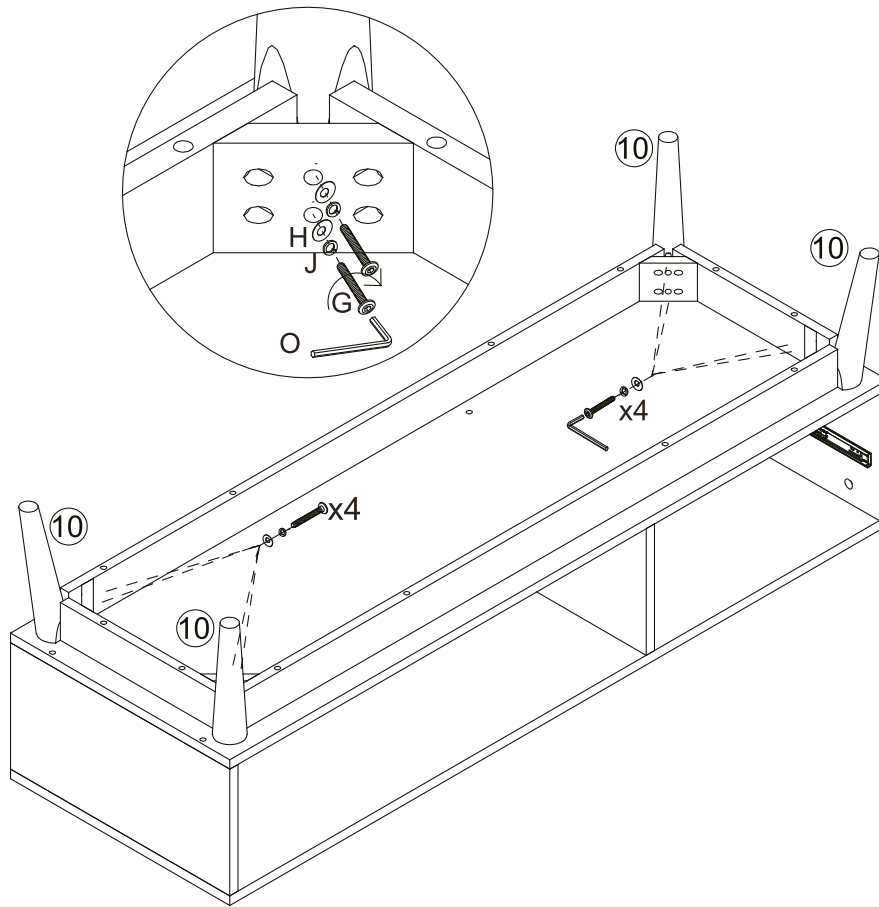
6



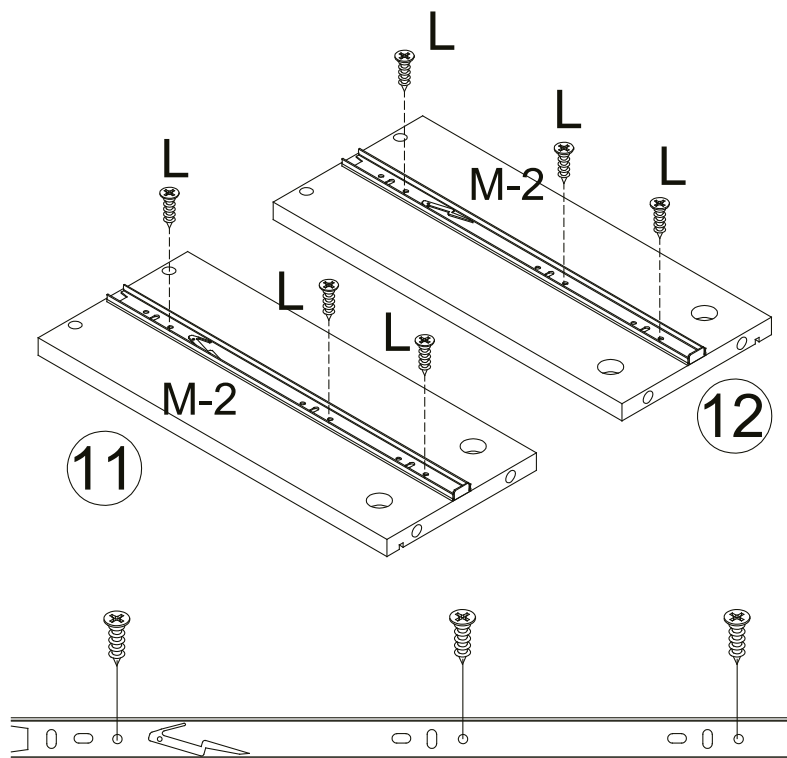


# ASSEMBLY

9

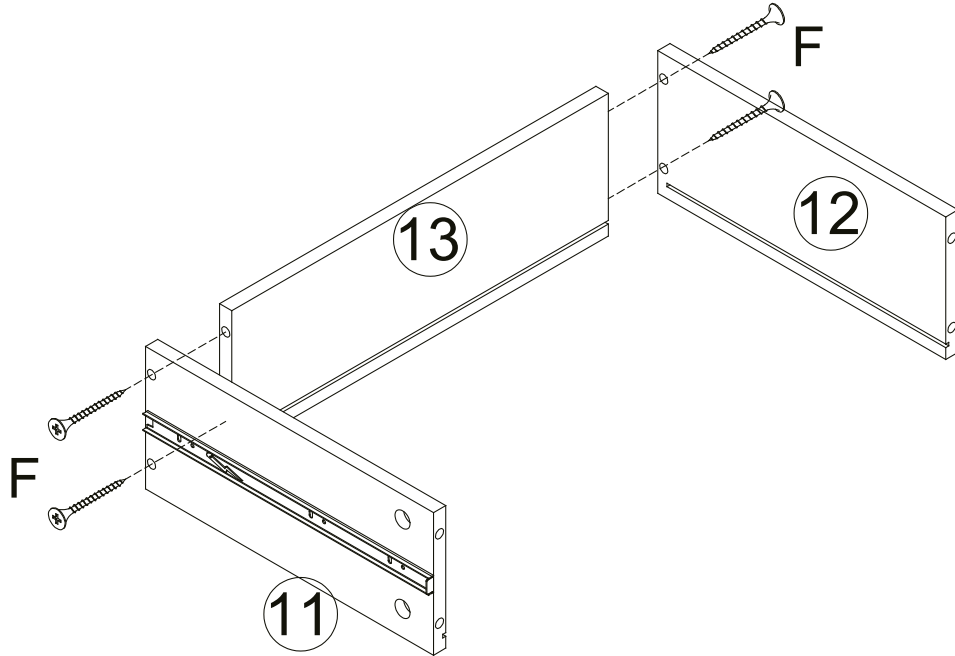


10

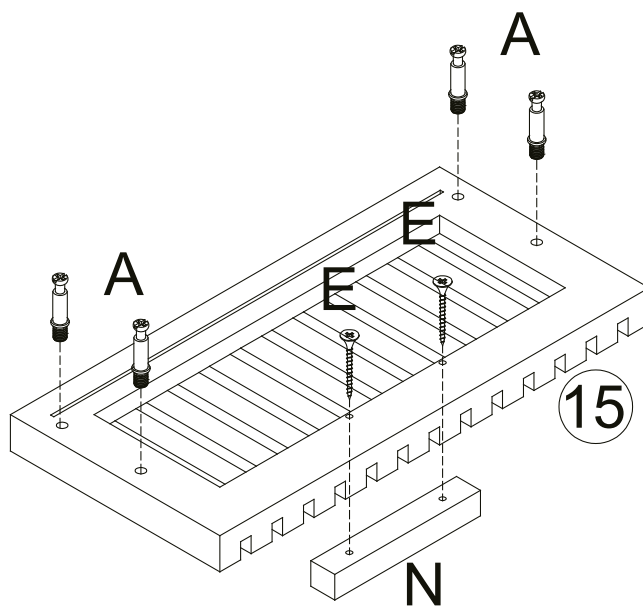


# ASSEMBLY

11

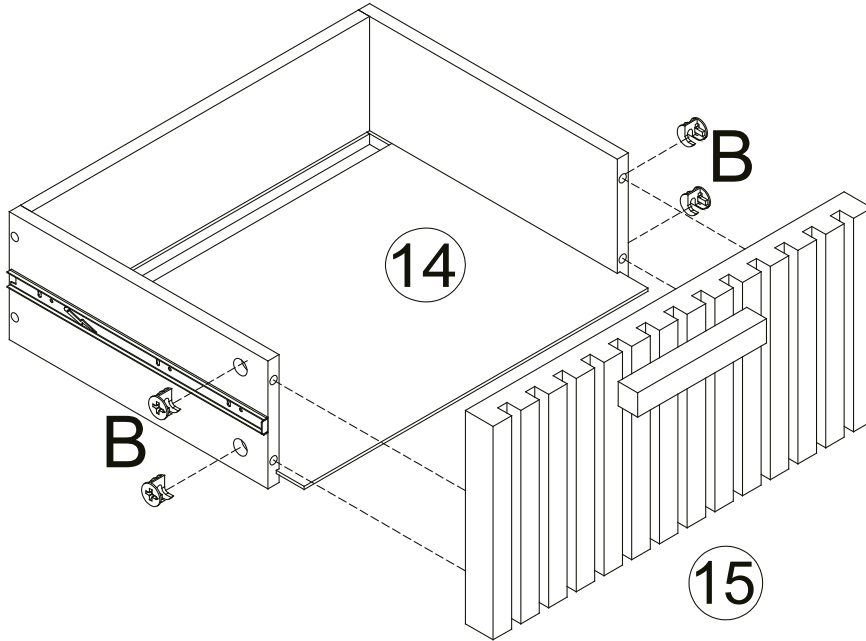


12



# ASSEMBLY

13



14

