
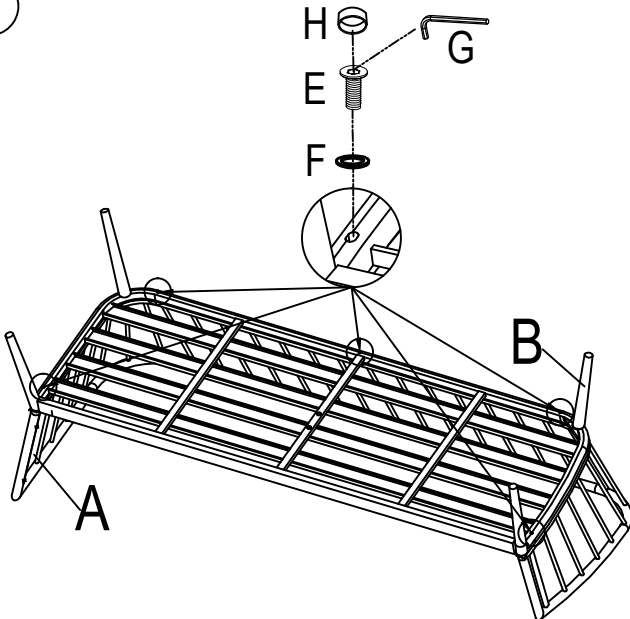
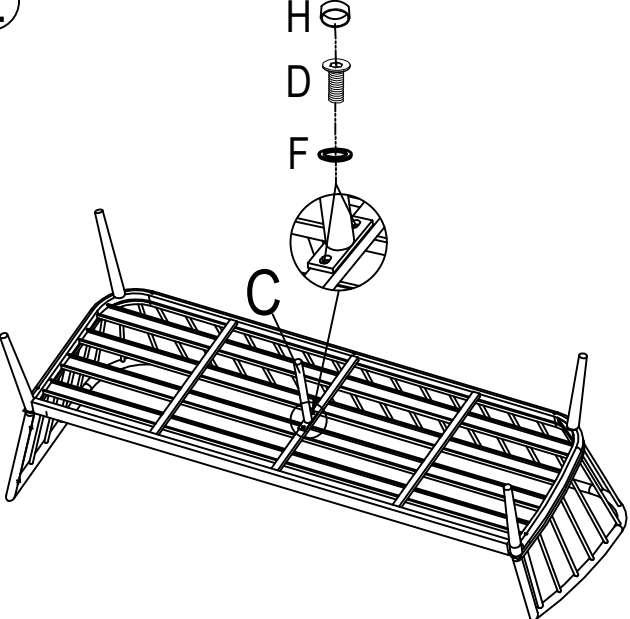

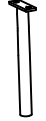



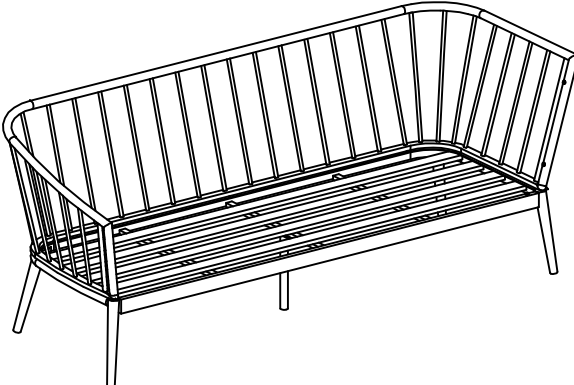
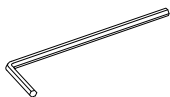


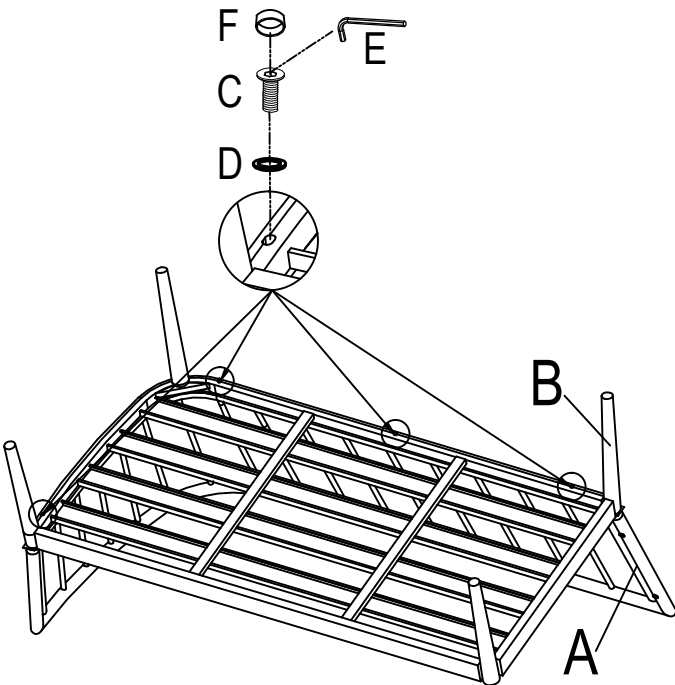
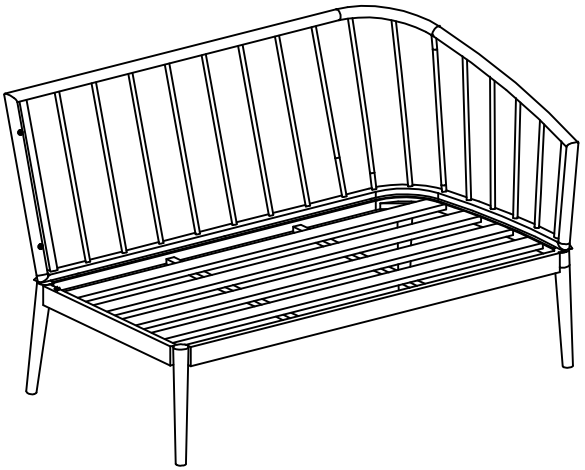
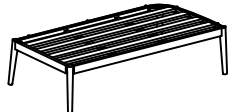
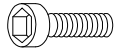





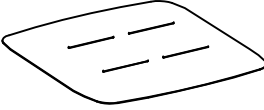
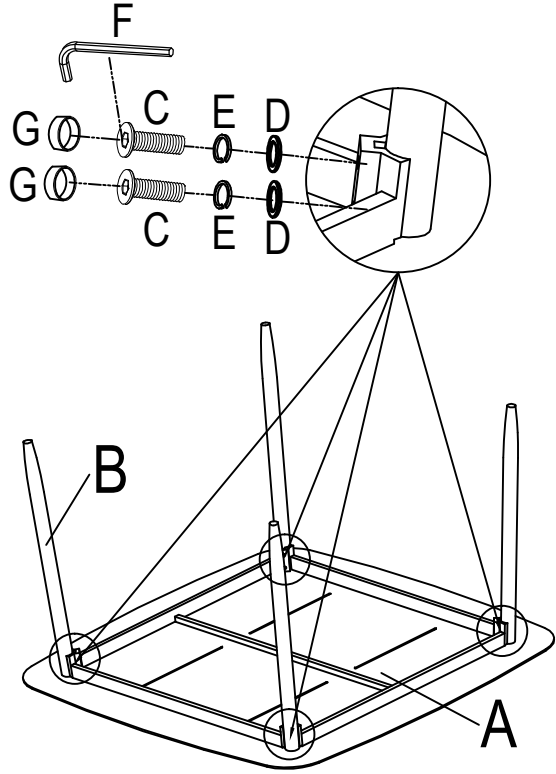
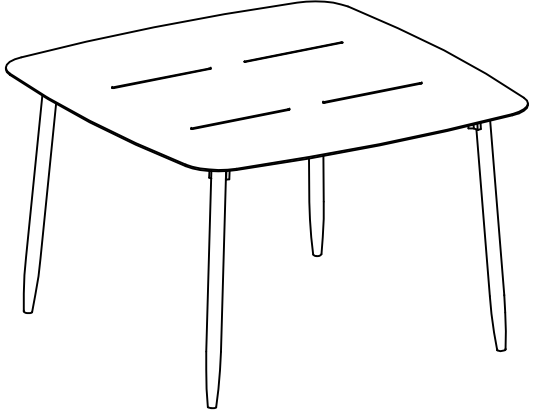

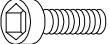


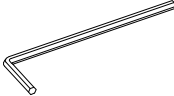

# 147140 Assembly Instruction

A		1	<p>①</p> 	<p>②</p> 
B		1		
C		1		
D	 M6*20	2		
E	 M6*40	5		
F		7	<p>③</p> 	
G		1		
H		7		


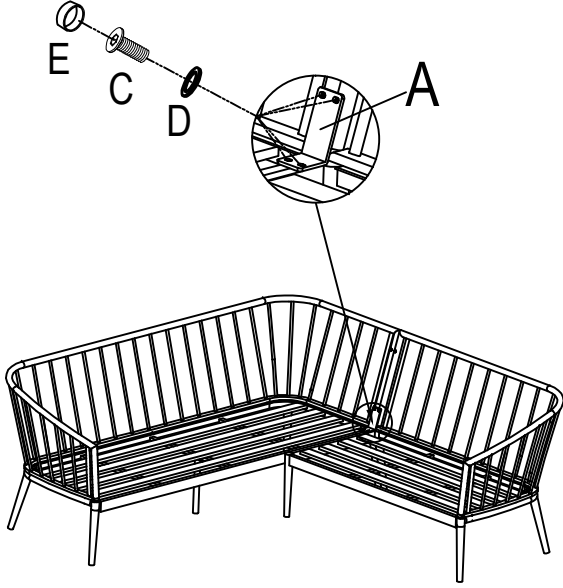
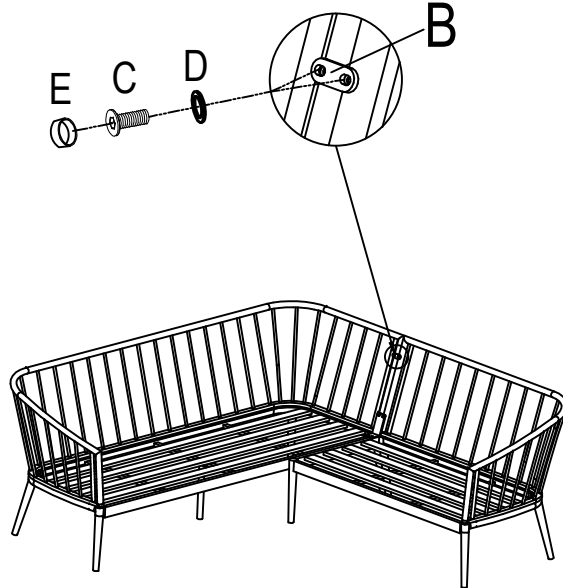
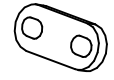
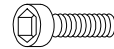





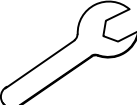
# 147140 Assembly Instruction

A		1	<p>①</p> 	<p>②</p> 
B		1		
C	 M6*40	4		
D		4		
E		1		
F		4		

# 147140 Assembly Instruction

A		1	<p>①</p> 	<p>②</p> 
B		4		
C	 M8*40	8		
D		8		
E		8		
F		1		
G		8		

# 147140 Assembly Instruction

A		1	<p>①</p> 	<p>②</p> 
B		1		
C	 M6*20	6		
D		8		
E		7		
F	 M6*55	1		
G		1		
H		1		
I		1		