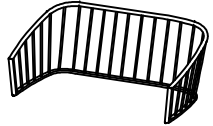
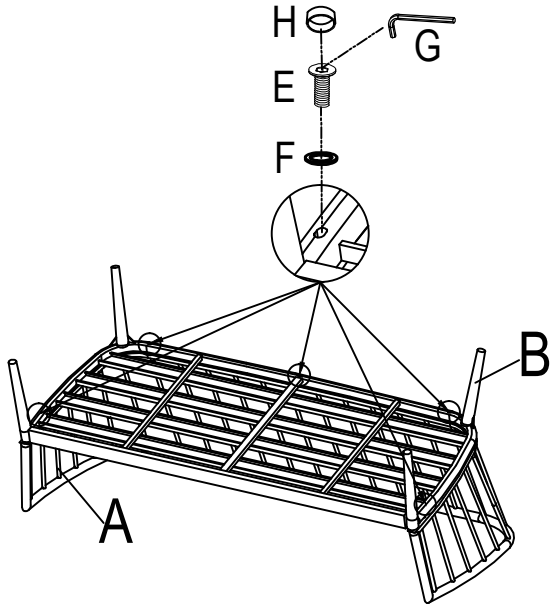
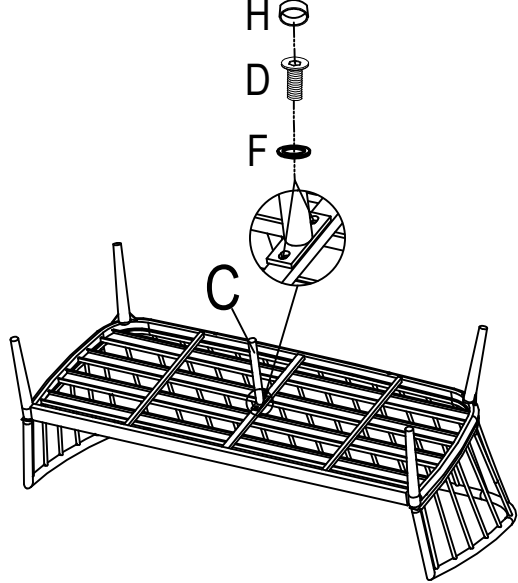

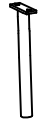
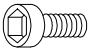
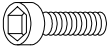

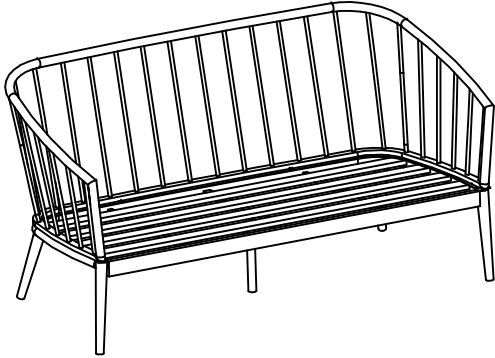



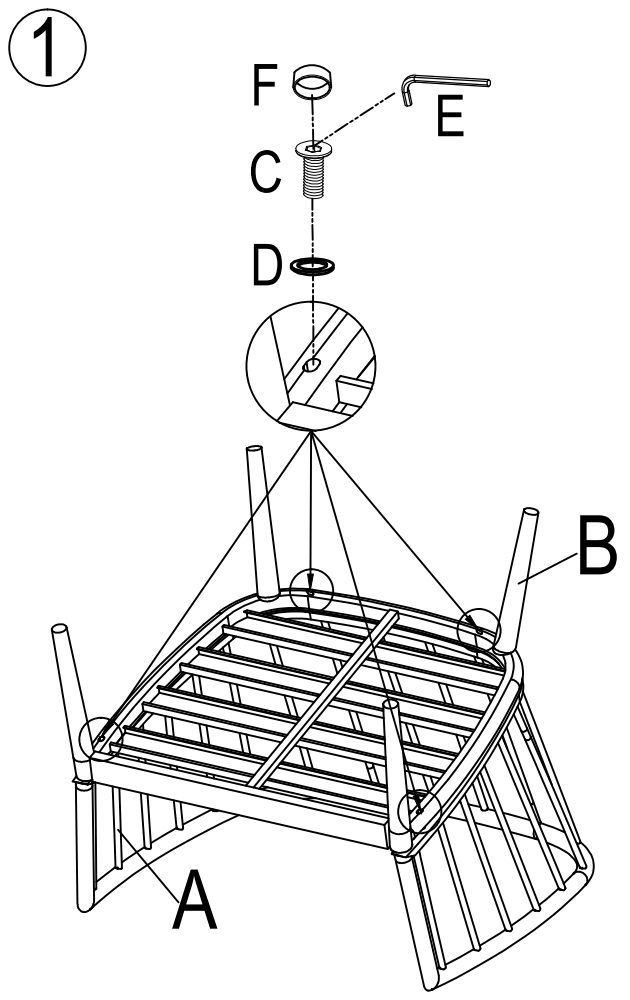
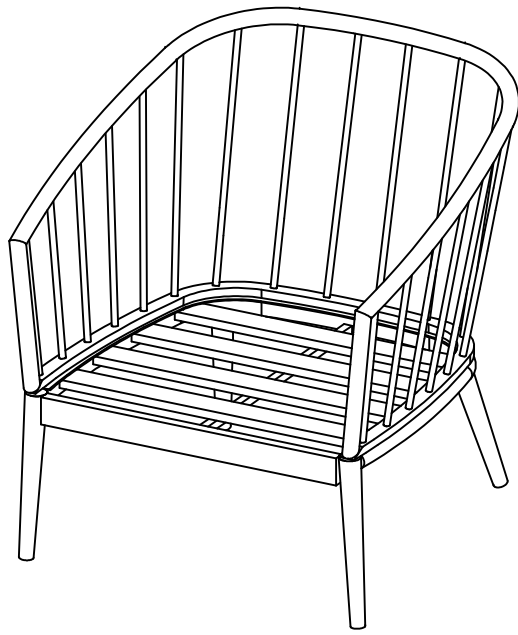

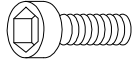

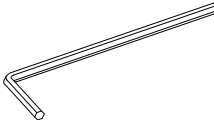
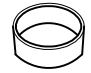


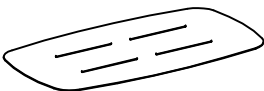
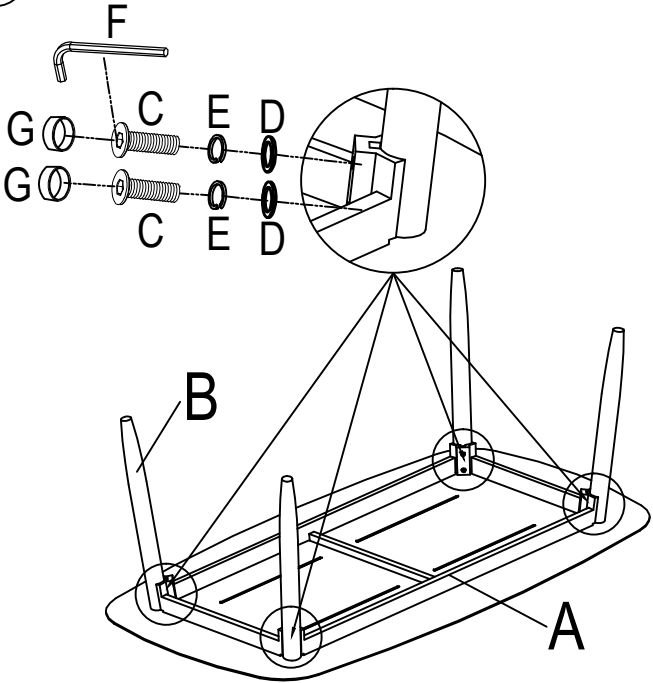
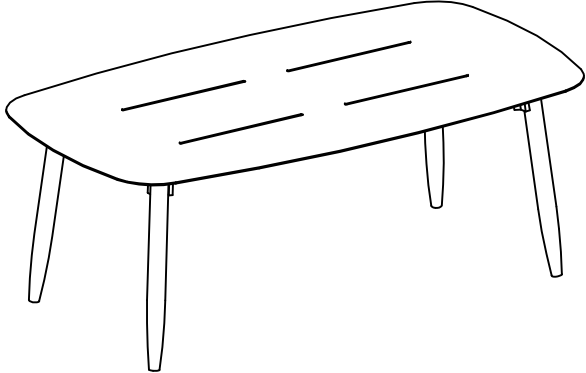

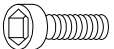


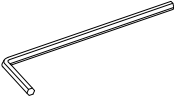

147139 Assembly Instruction

| | | | | |
|---|--|---|--|--|
| A |  | 1 | <p>①</p>  | <p>②</p>  |
| B |  | 1 | | |
| C |  | 1 | | |
| D |  M6*20 | 2 | | |
| E |  M6*40 | 5 | | |
| F |  | 7 | <p>③</p>  | |
| G |  | 1 | | |
| H |  | 7 | | |

147139 Assembly Instruction

| | | | | |
|---|--|---|--|---|
| A |  | 1 | <p>①</p>  | <p>②</p>  |
| B |  | 1 | | |
| C |  M6*40 | 4 | | |
| D |  | 4 | | |
| E |  | 1 | | |
| F |  | 4 | | |

147139 Assembly Instruction

| | | | | |
|---|--|---|--|---|
| A |  | 1 | <p>①</p>  | <p>②</p>  |
| B |  | 4 | | |
| C |  M8*40 | 8 | | |
| D |  | 8 | | |
| E |  | 8 | | |
| F |  | 1 | | |
| G |  | 8 | | |