

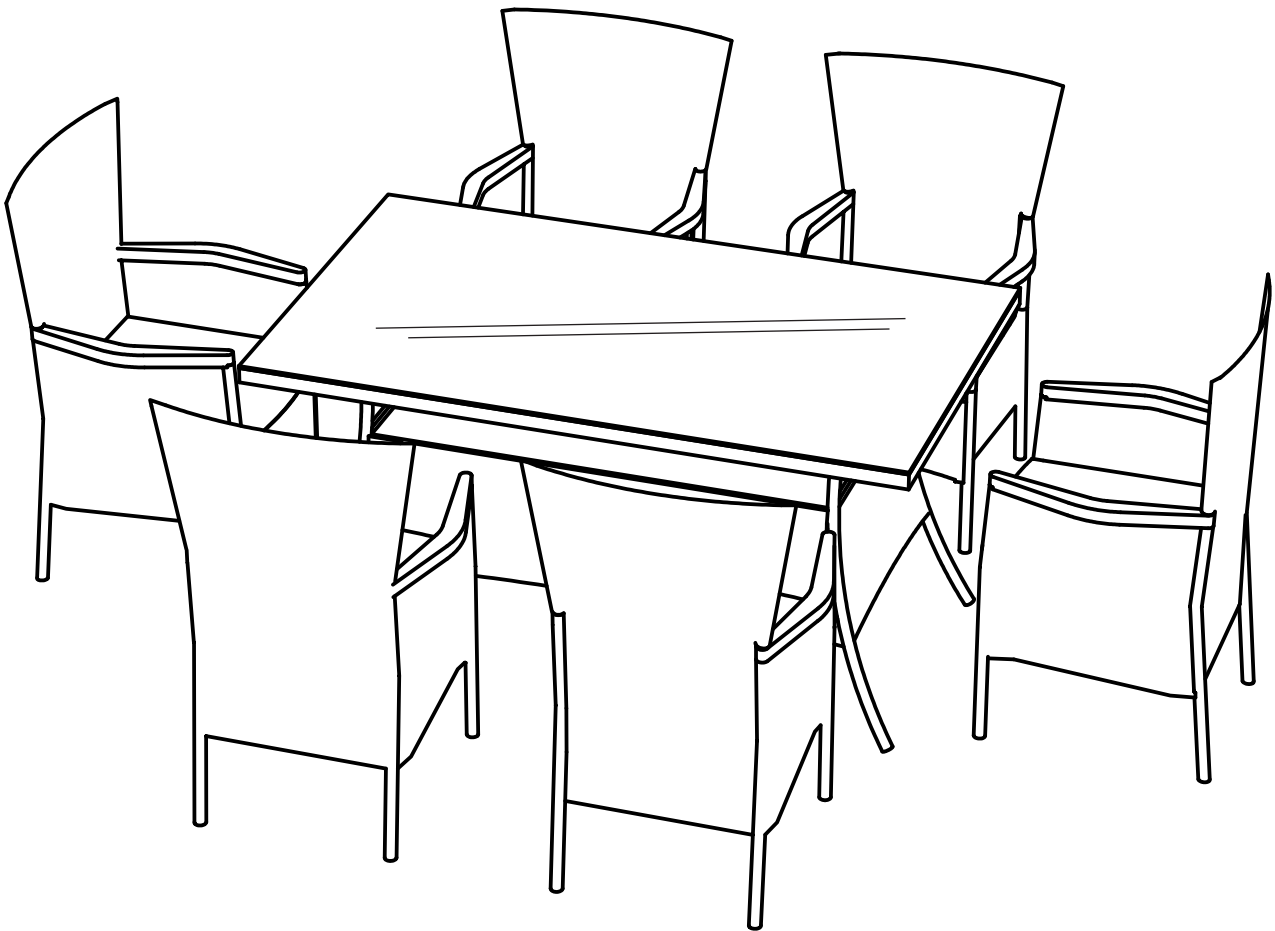


# ASSEMBLY INSTRUCTION

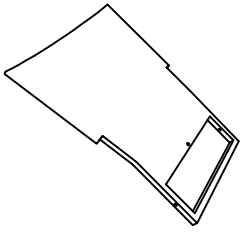
## MILAN

# 7 PIECE RATTAN DINING SET

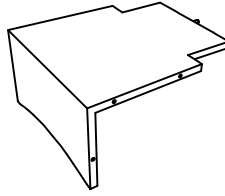
PLU : 145797



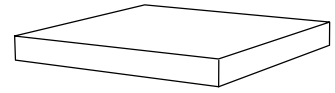
# COMPONENTS:



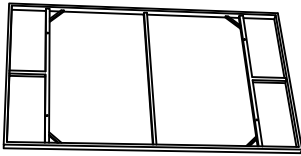
(A) x6



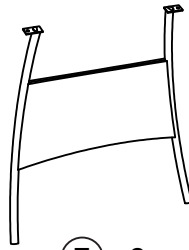
(B) x6



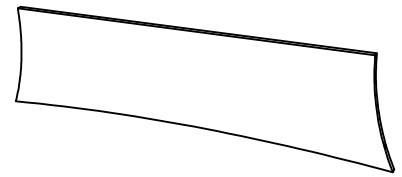
(C) x6



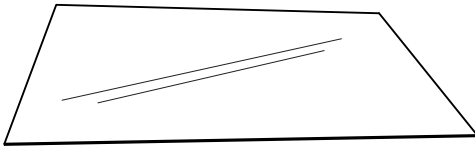
(D) x1



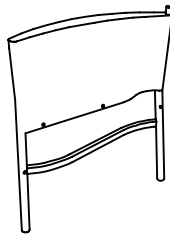
(F) x2



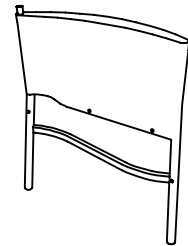
(G) x2



(K) x1

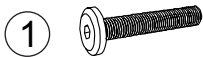


(P) x6



(T) x6

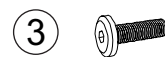
# HARDWARE:



Bolt M6x40mm = 36 pcs



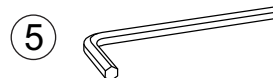
Bolt M6x30mm = 12 pcs



Bolt M6x20mm = 12 pcs

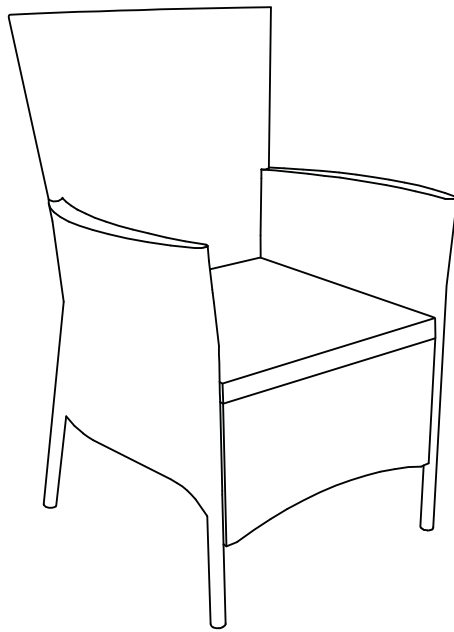


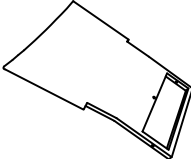
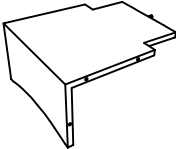

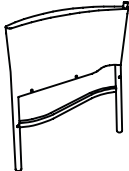
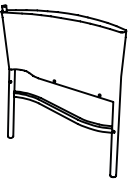
Washer = 60 pcs


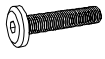




Allenkey = 2 pcs

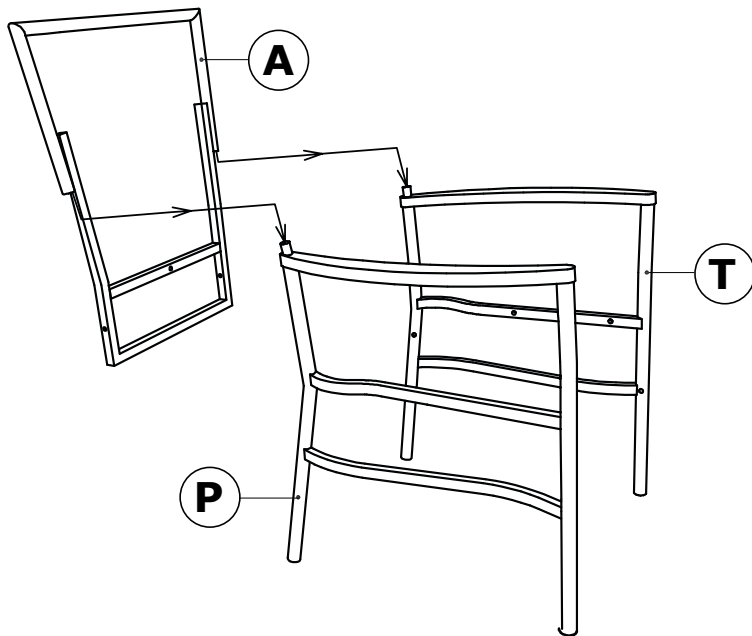
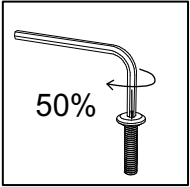
**x6**



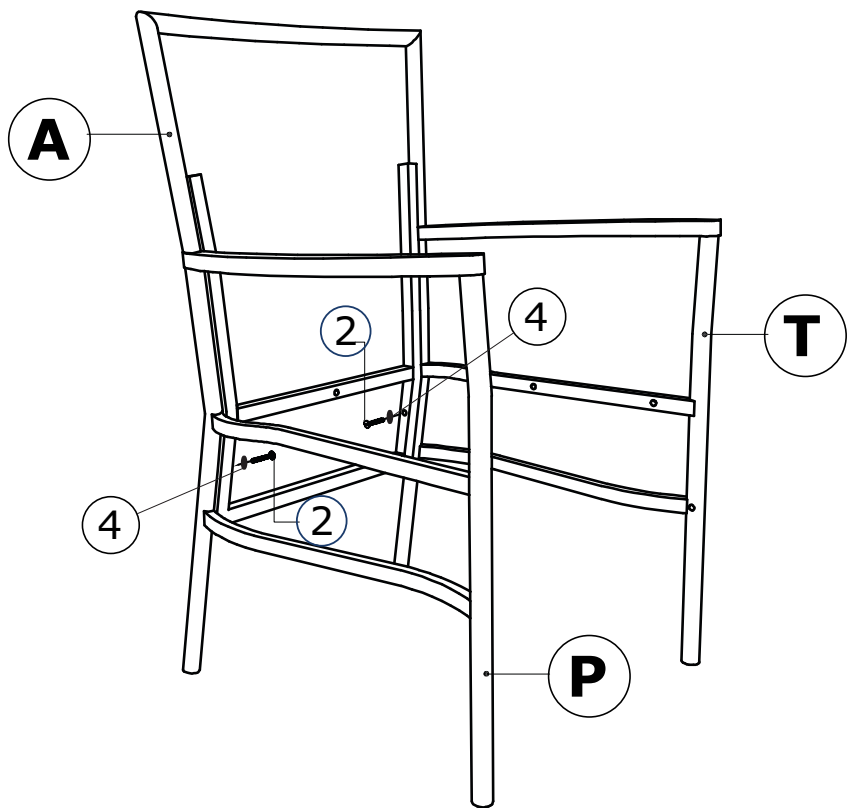
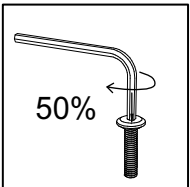
A		1 PC
B		1 PC
C		1 PC
P		1 PC
T		1 PC

1	 M6x40mm	6 PCS x 6
2	 M6x30mm	2 PCS x 6
4	 Washer	8 PCS x 6
5		1 PC

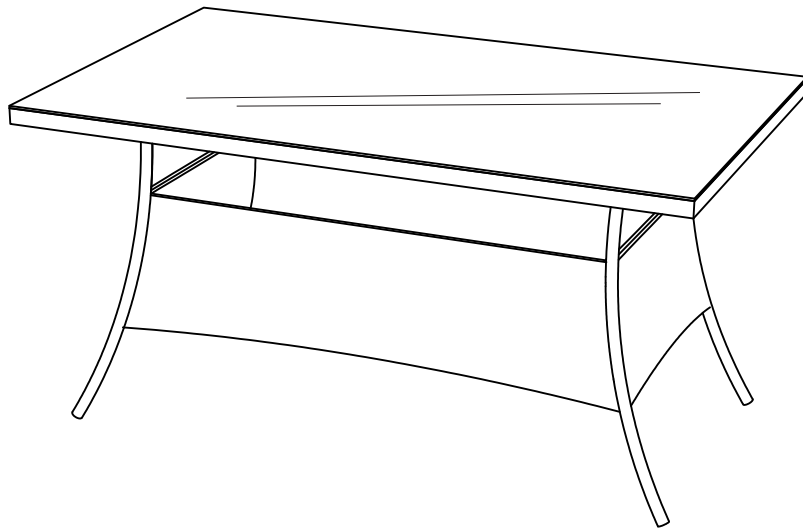
1

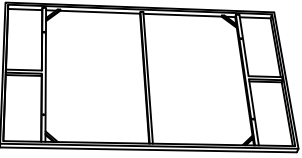
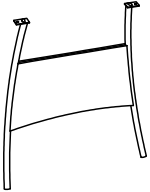
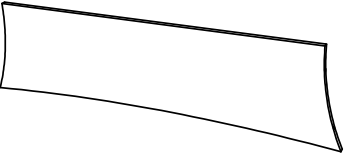
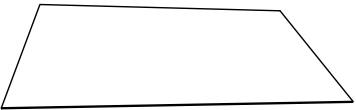





2



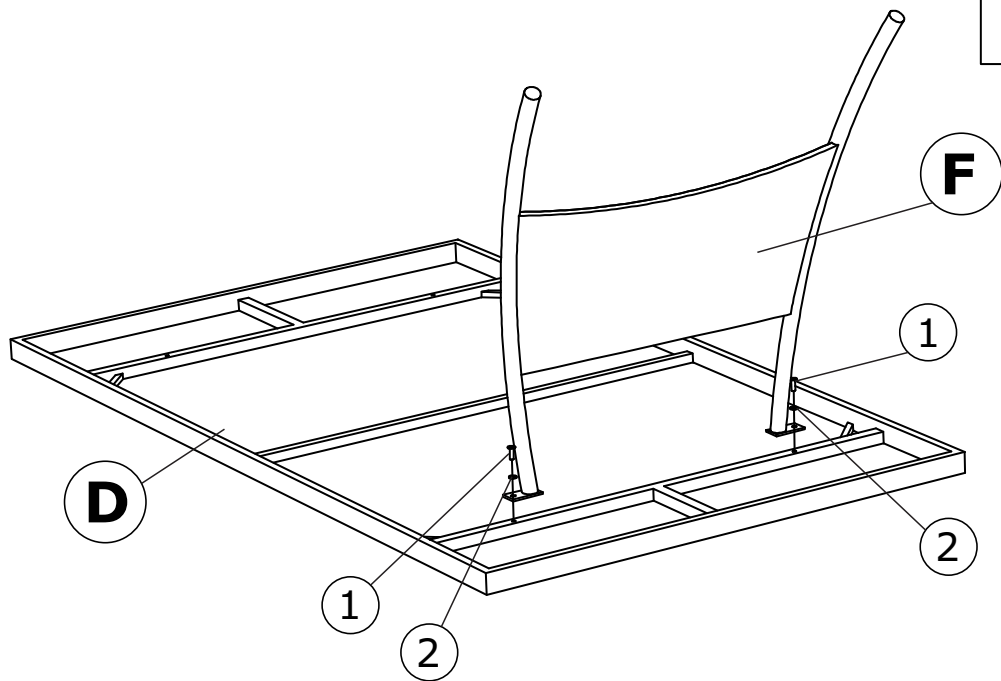




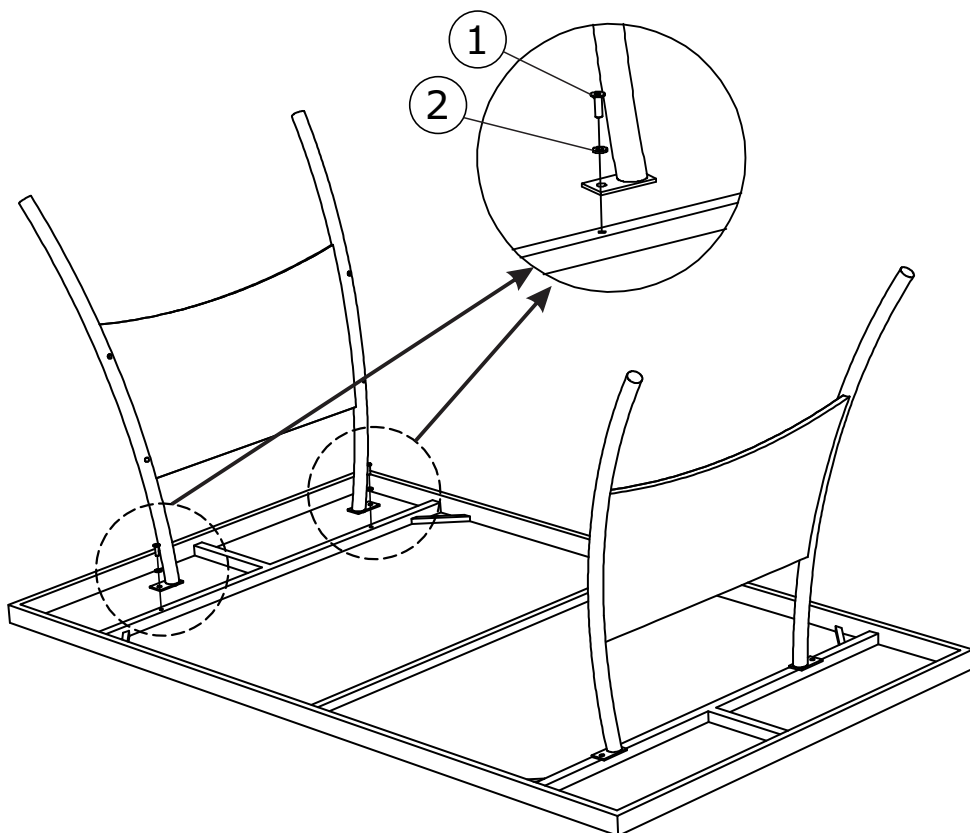
D		1 PC
F		2 PCS
G		2 PCS
K		1 PC

1	 M6x20mm	12 PCS
2	 Washer	12 PCS
3		1 PC

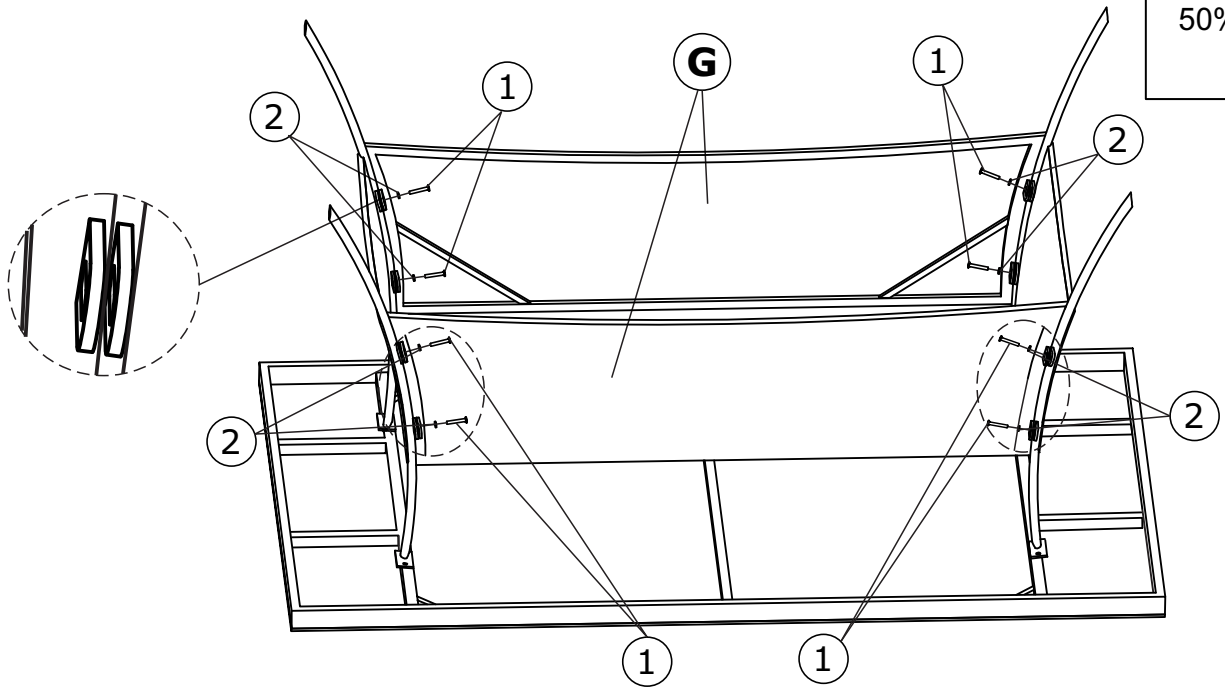
1



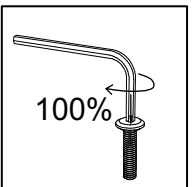
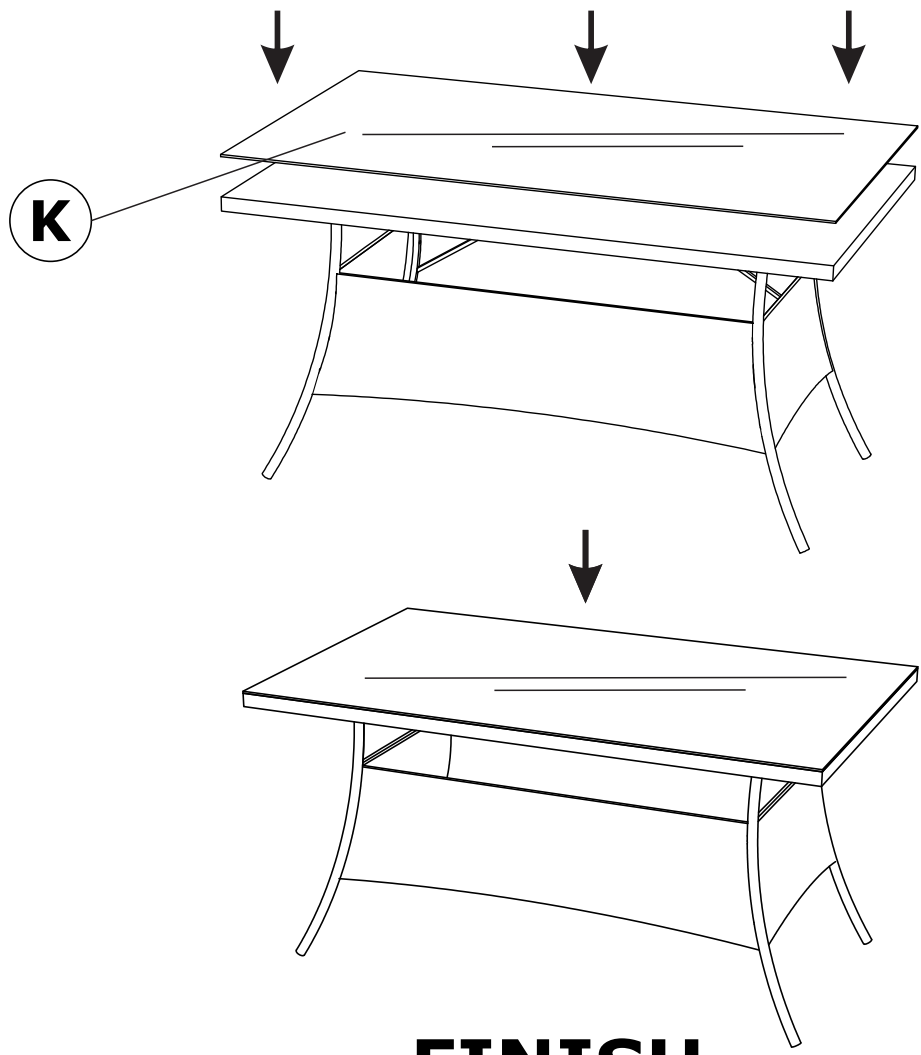
2



3



4



**FINISH**