



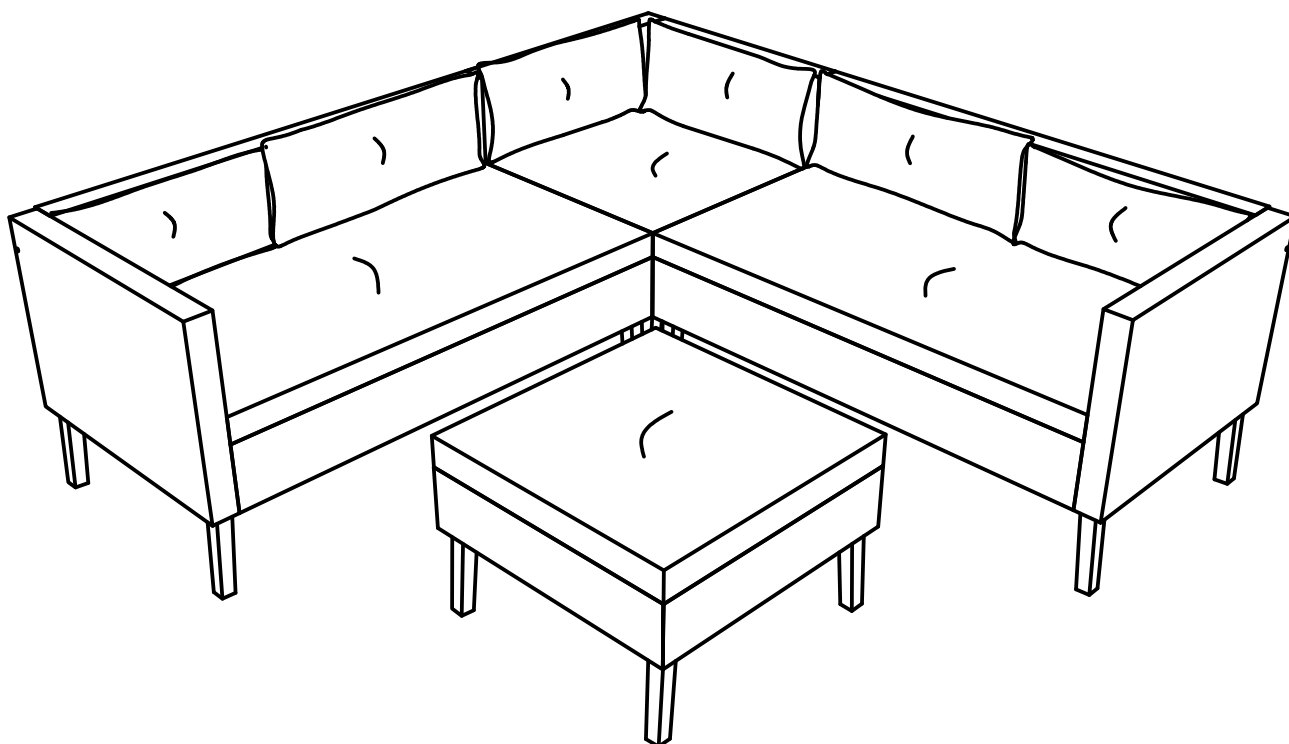
ASSEMBLY INSTRUCTION

MARINO

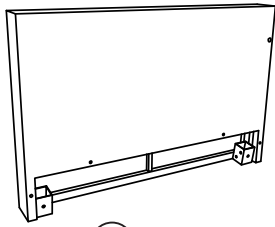
RATTAN CORNER

SOFA SET

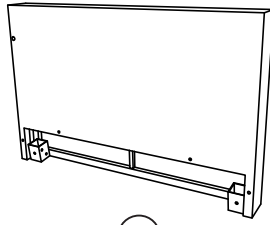
PLU : 145793



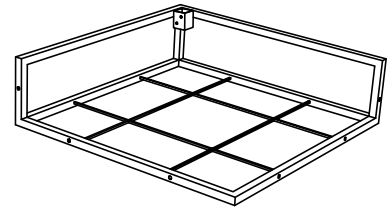
COMPONENTS:



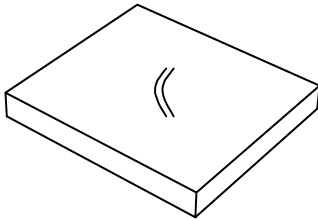
(A) x2



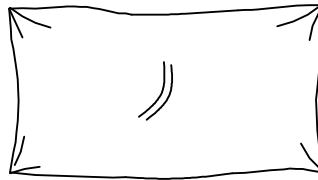
(B) x1



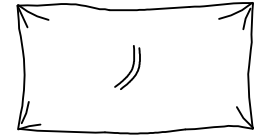
(C) x1



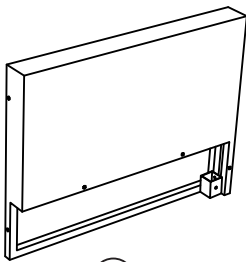
(D) x1



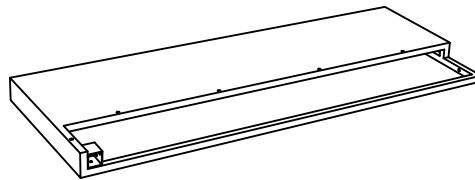
(F) x5



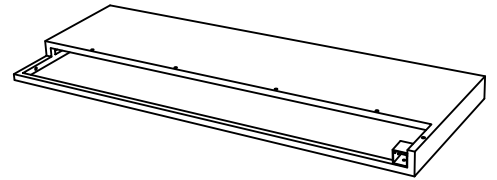
(G) x1



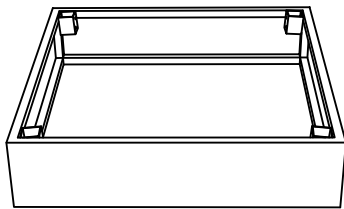
(H) x1



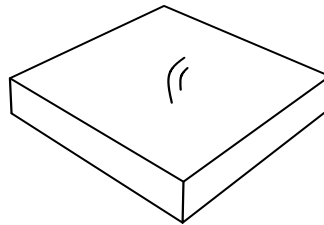
(J) x1



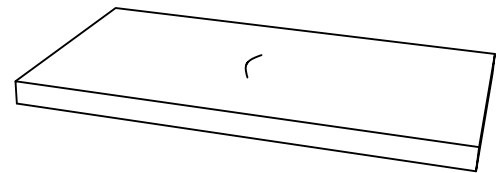
(K) x1



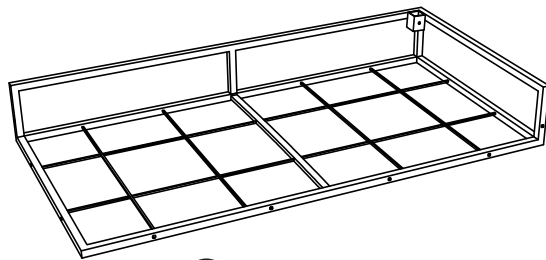
(L) x1



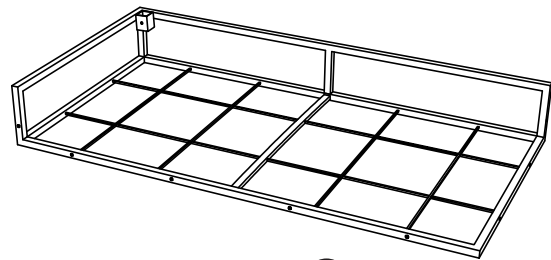
(M) x1



(N) x2

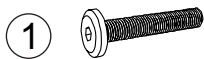


(P) x1



(Q) x1

HARDWARE:



Bolt M6x40mm = 28 pcs



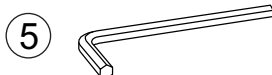
Screw M4x25mm = 48 pcs



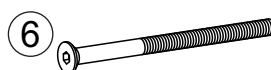
Washer = 31 pcs



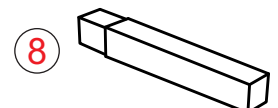
Plastic shackles = 4 pcs



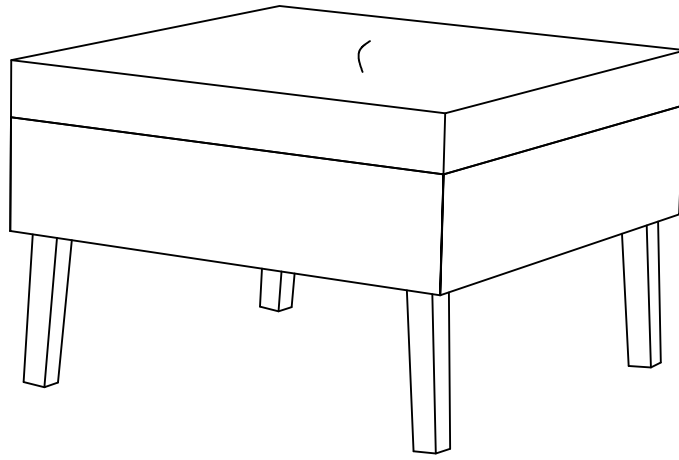
Allenkey = 2 pcs

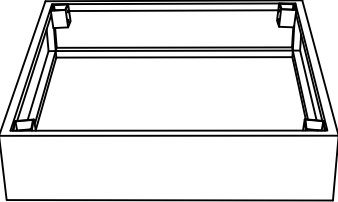
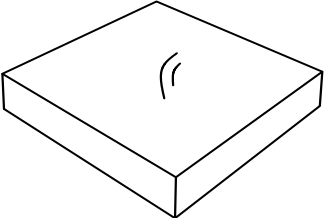


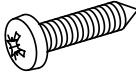
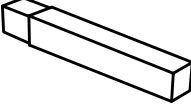
Bolt M6x100mm = 3 pcs



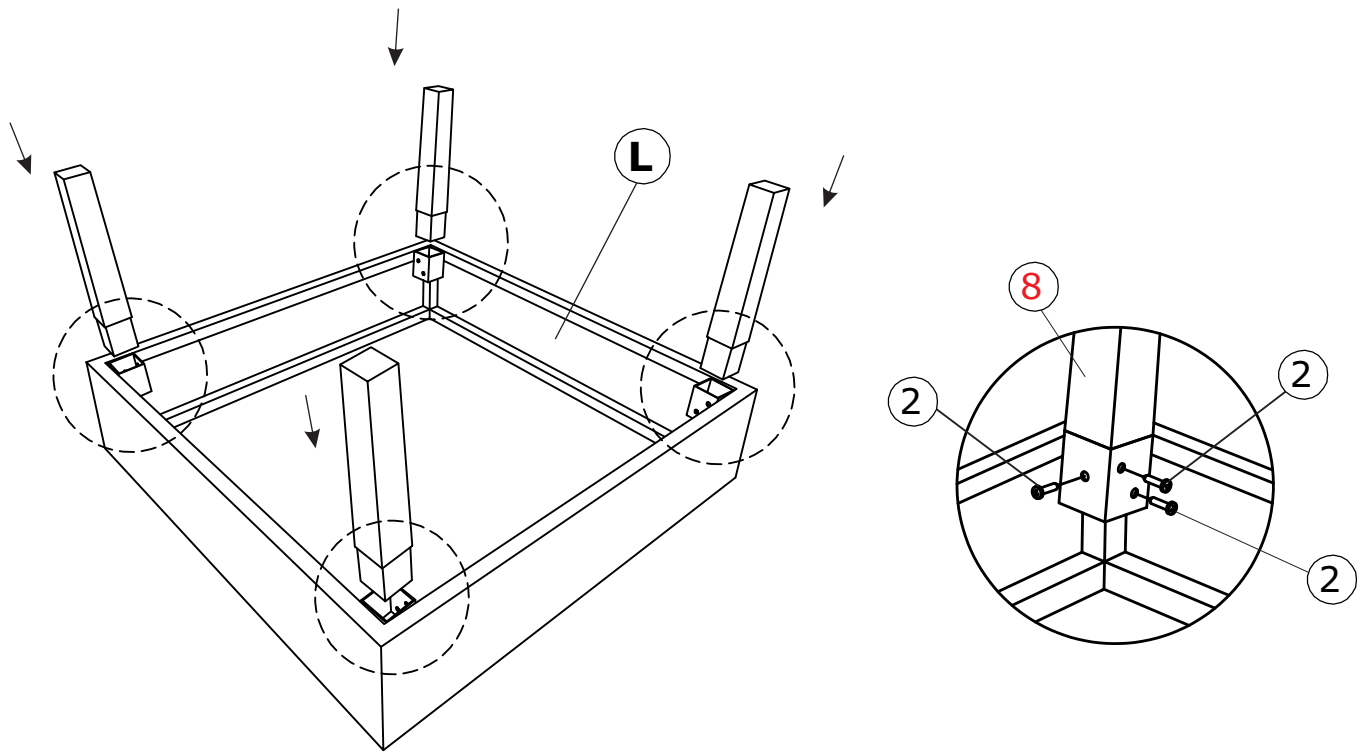
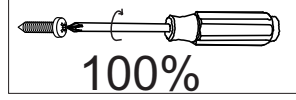
Wooden Leg = 16 pcs



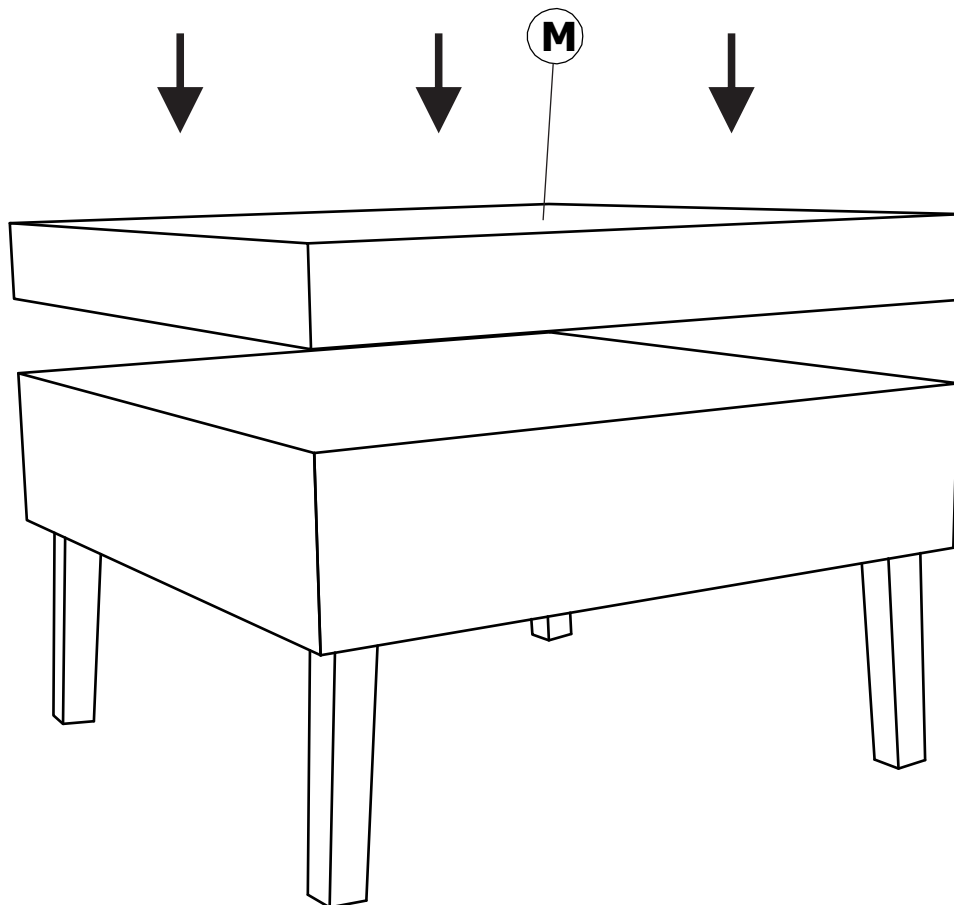
| | | |
|---|---|------|
| L |  | 1 PC |
| M |  | 1 PC |

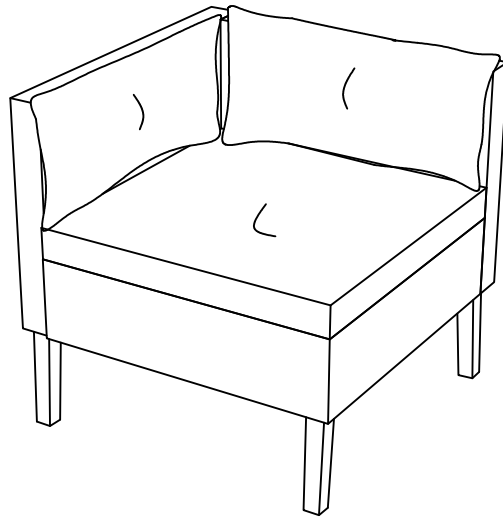
| | | |
|---|--|--------|
| 2 |  | 12 PCS |
| 8 |  | 4 PCS |

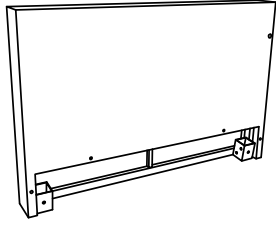
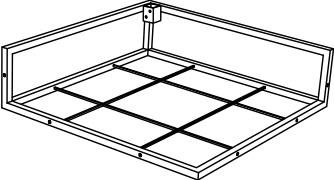
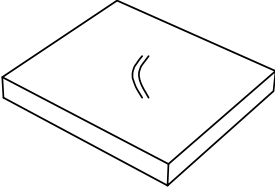
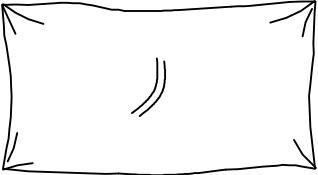
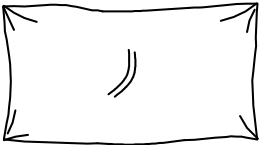
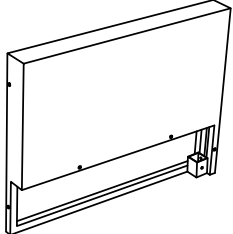
Step 1:


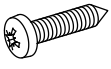



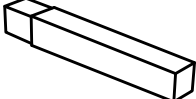


Step 2:

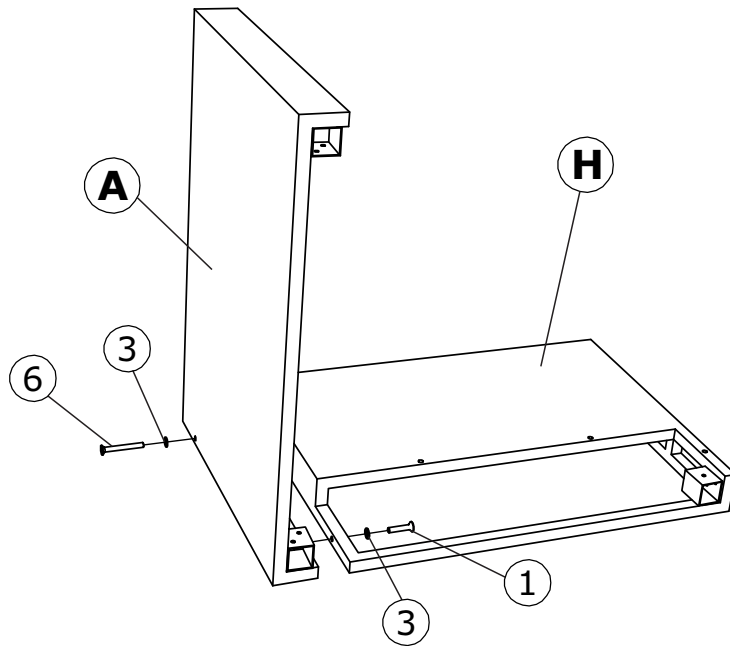




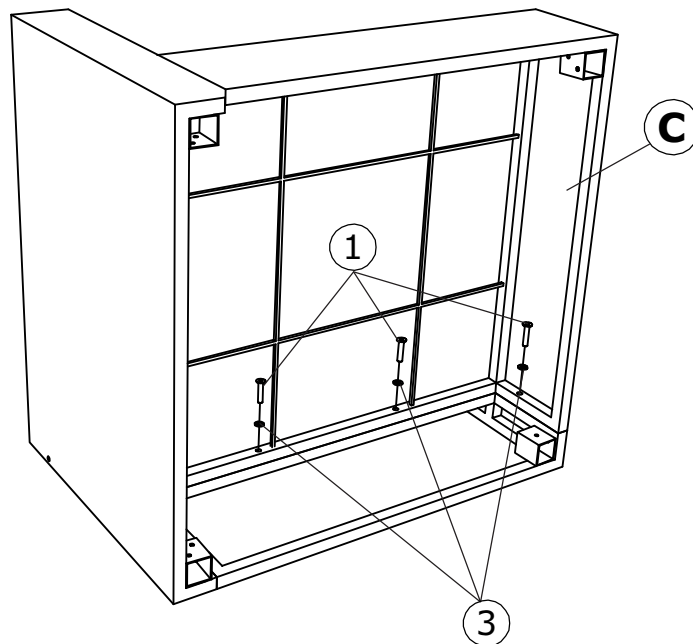
| | | |
|---|---|------|
| A |  | 1 PC |
| C |  | 1 PC |
| D |  | 1 PC |
| F |  | 1 PC |
| G |  | 1 PC |
| H |  | 1 PC |

| | | |
|---|--|--------|
| 1 |  M6x40 mm | 8 PCS |
| 2 |  Screw M4x25mm | 12 PCS |
| 3 |  washers | 9 PCS |
| 5 |  | 1 PC |
| 6 |  M6x100 mm | 1 PC |
| 8 |  | 4 PCS |

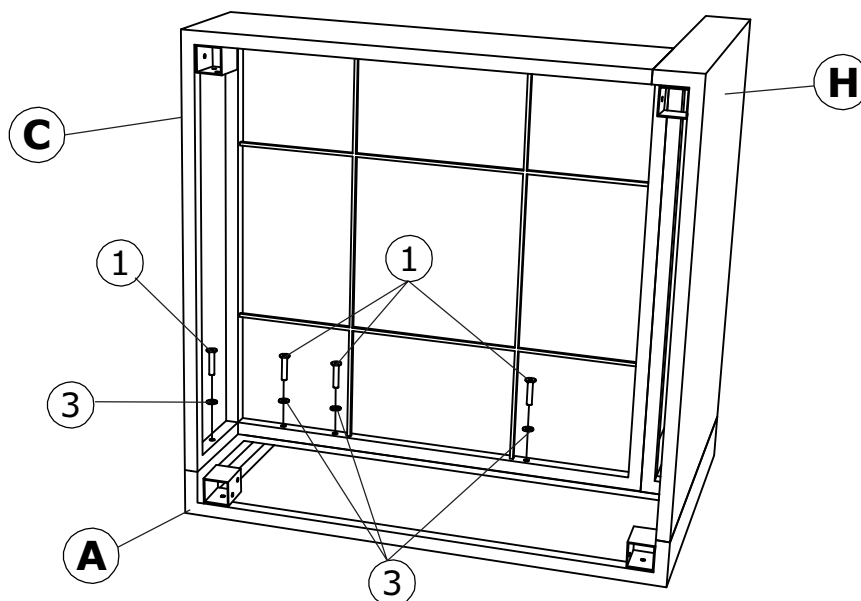
Step 1:



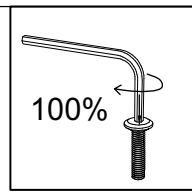
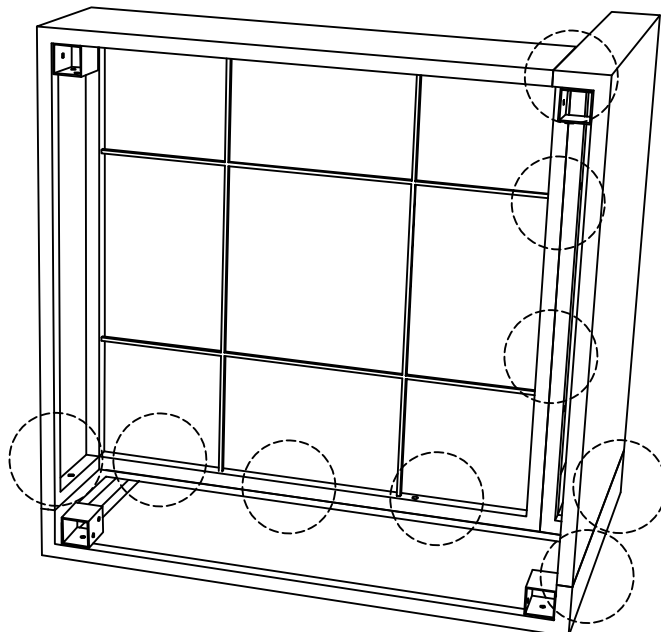
Step 2:



Step 3:

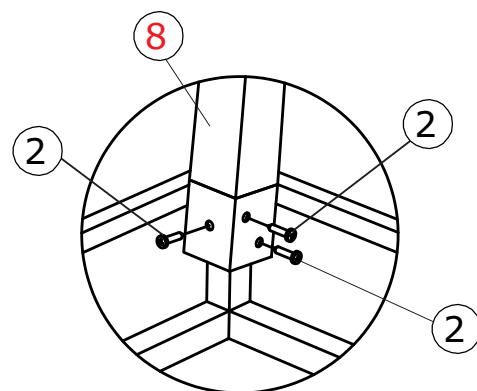
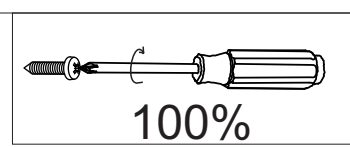
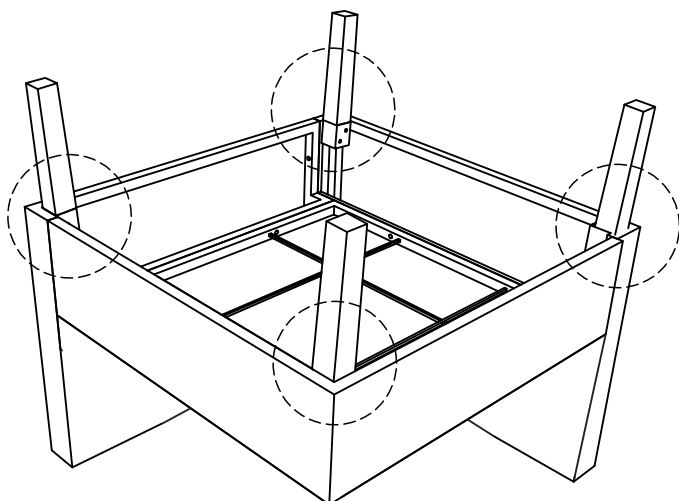


Step 4:

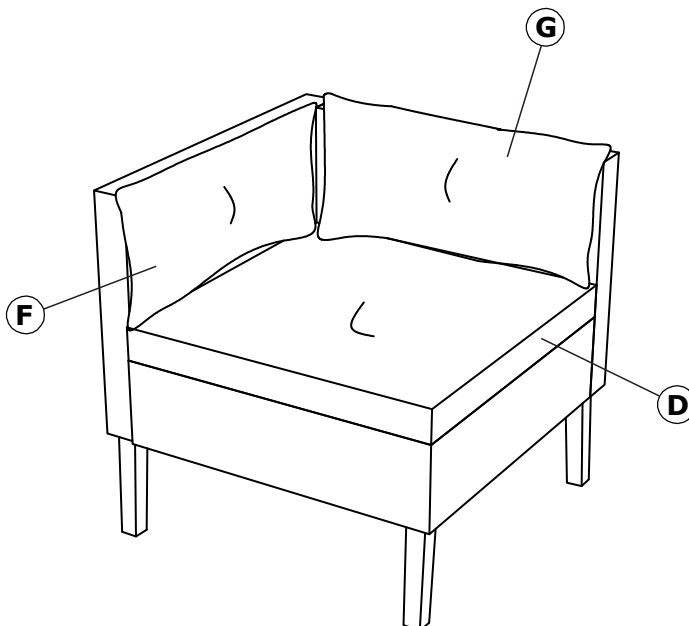


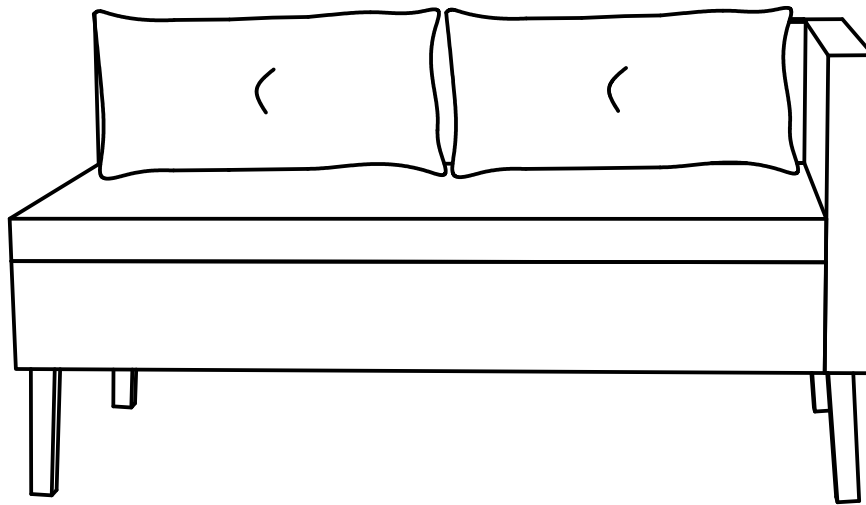
Tighten all bolts 100% - 9 positions

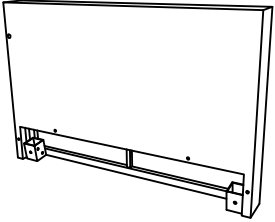
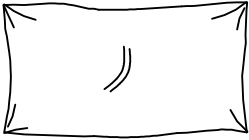
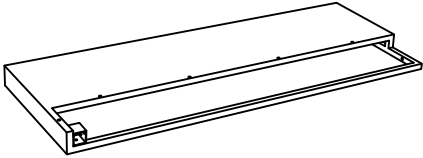
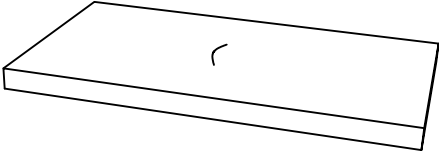
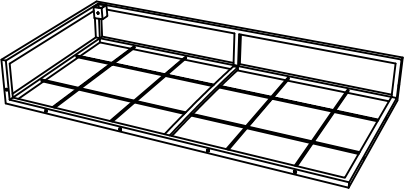
Step 5:


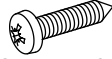



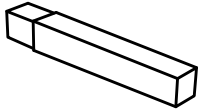


Step 6:

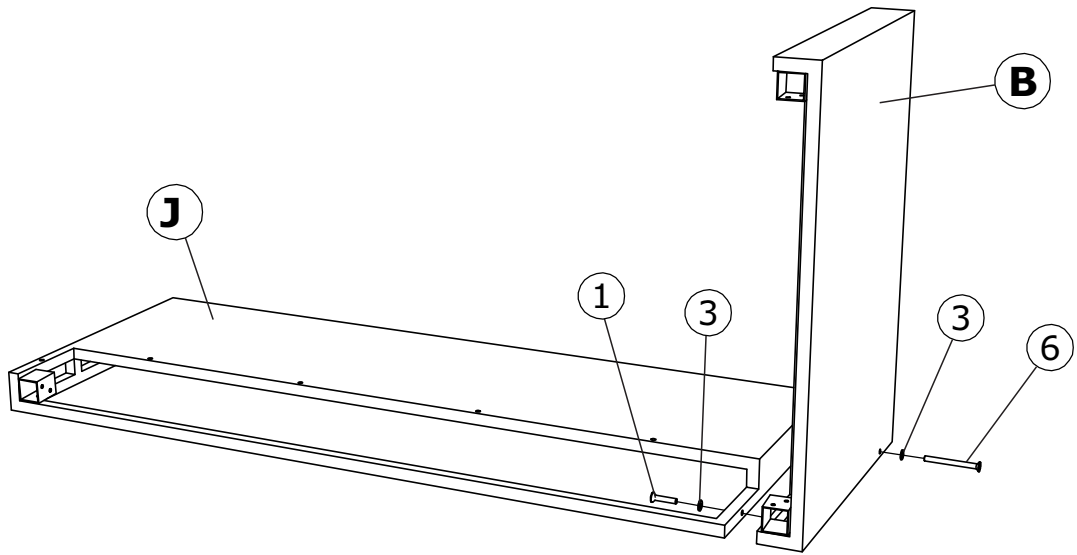




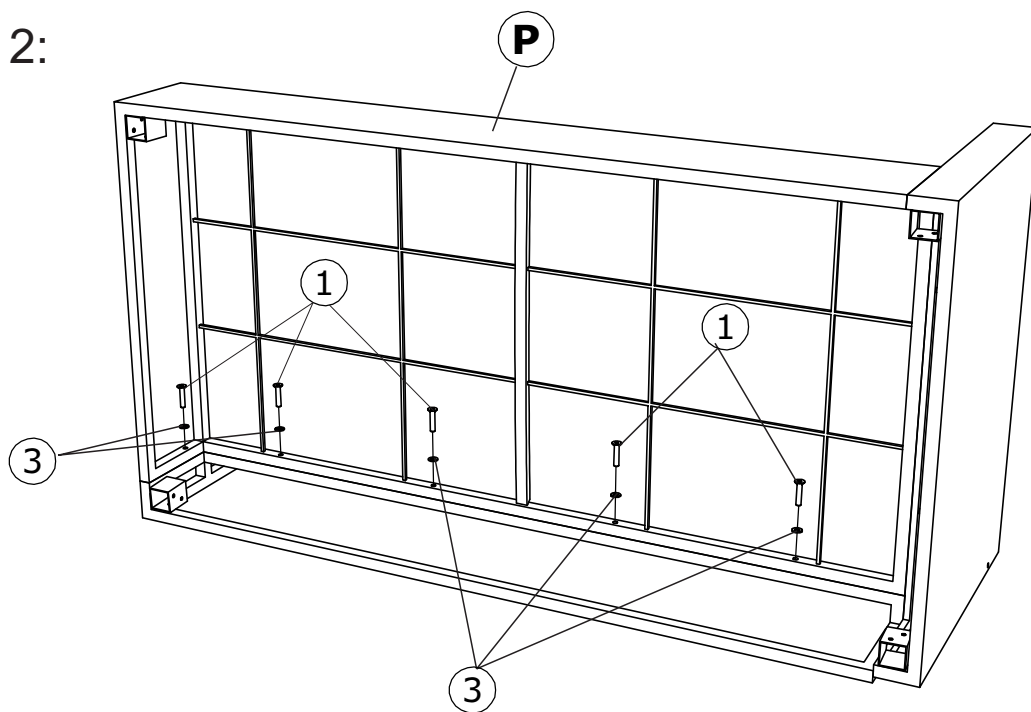
| | | |
|---|---|-------|
| B |  | 1 PC |
| F |  | 2 PCS |
| J |  | 1 PC |
| N |  | 1 PC |
| Q |  | 1 PC |

| | | |
|---|--|--------|
| 1 |  M6x40 mm | 10 PCS |
| 2 |  Screw M4x25mm | 12 PCS |
| 3 |  washers | 11 PCS |
| 5 |  | 1 PC |
| 6 |  M6x100 mm | 1 PCS |
| 8 |  | 4 PCS |

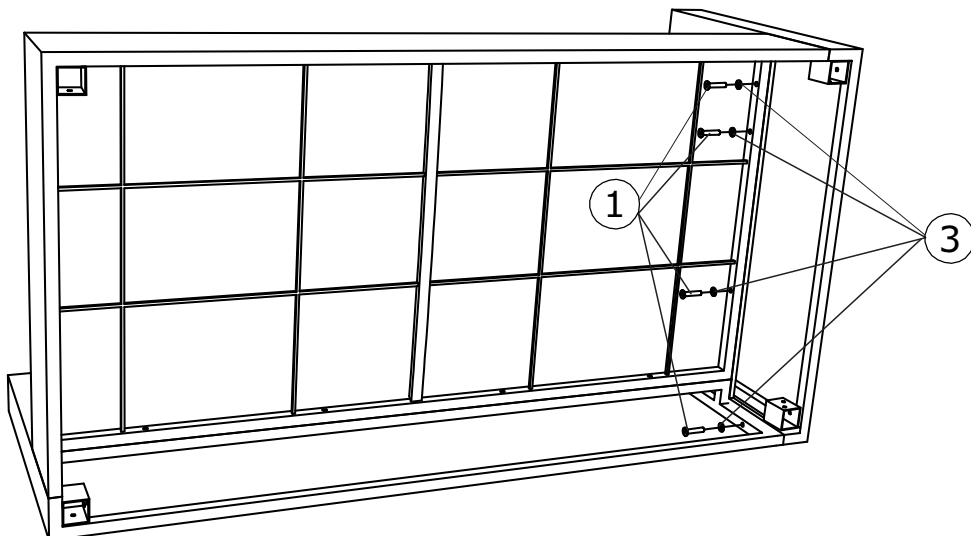
Step 1:



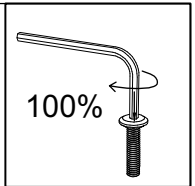
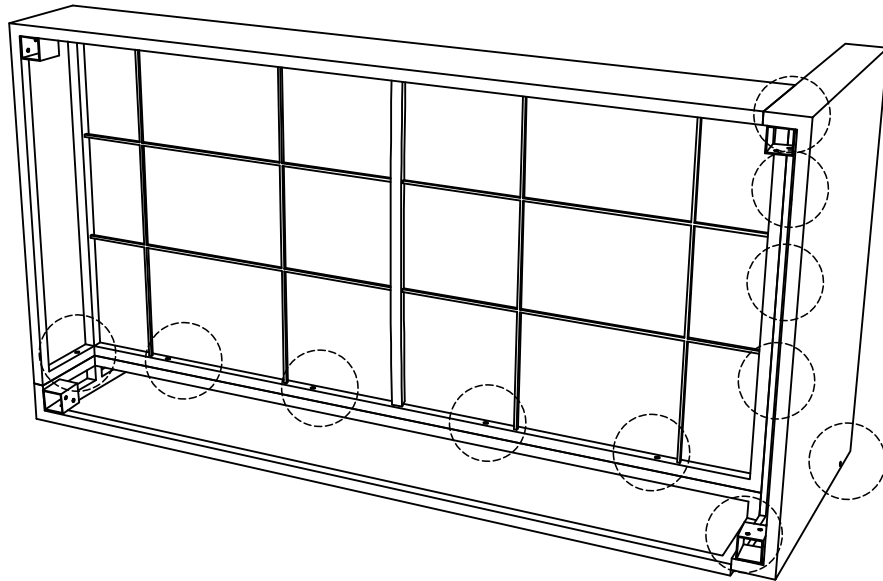
Step 2:



Step 3:

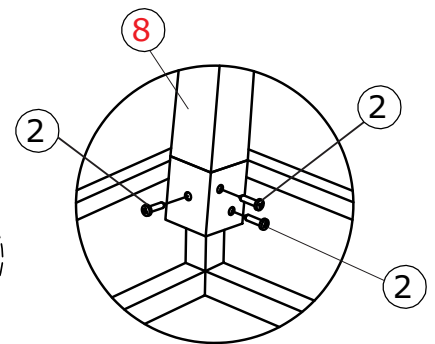
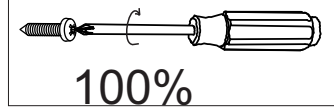
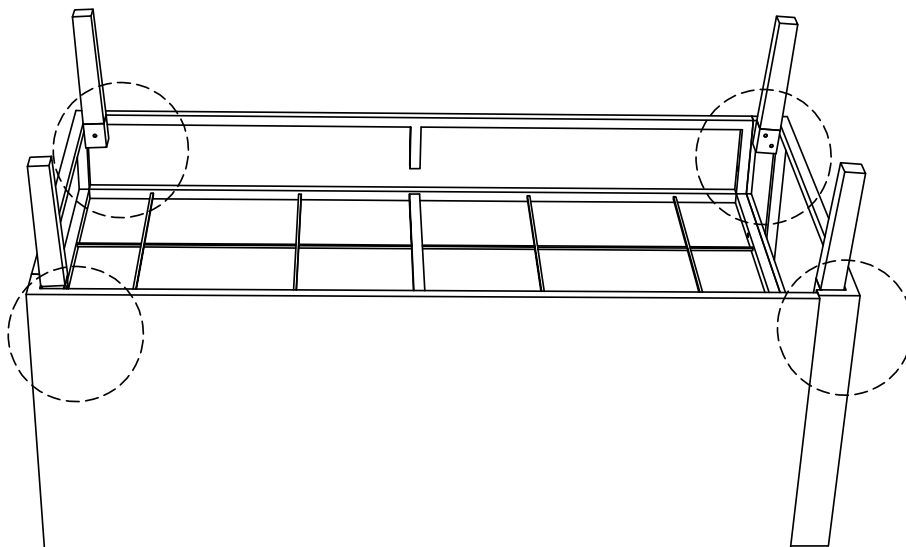


Step 4:

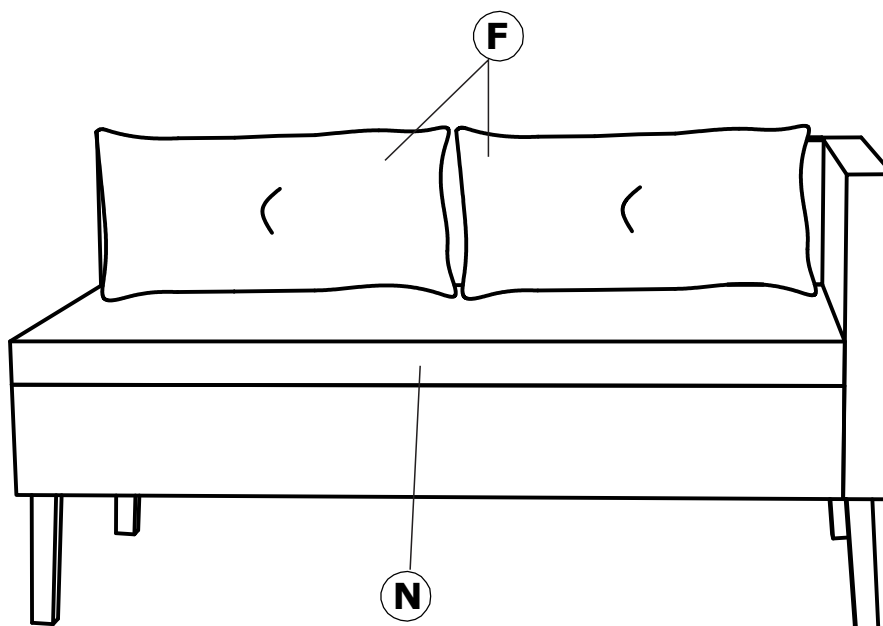


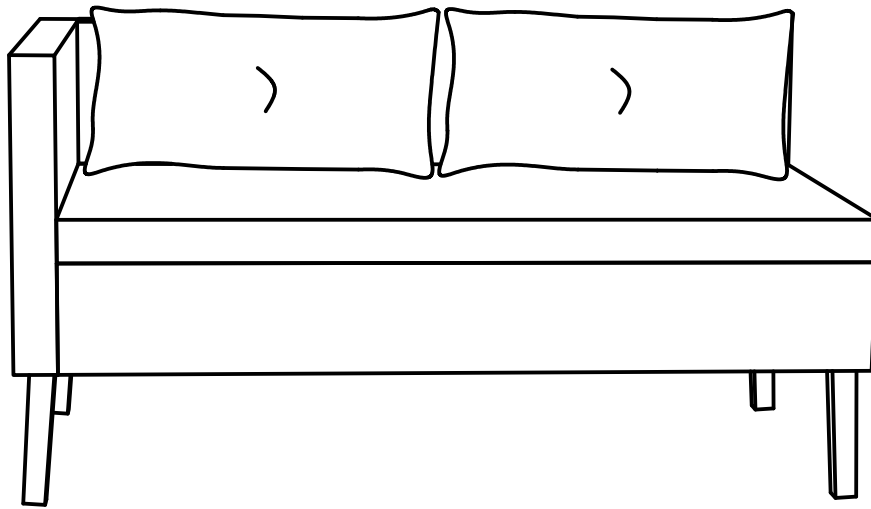
Tighten all bolts 100% - 11 positions

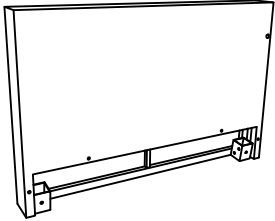
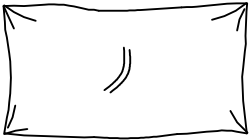
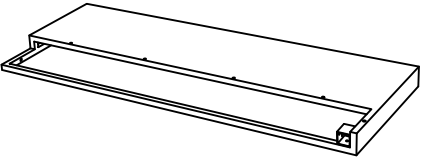
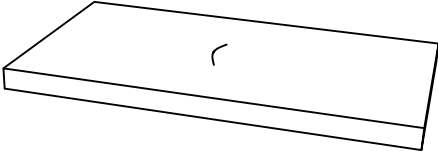
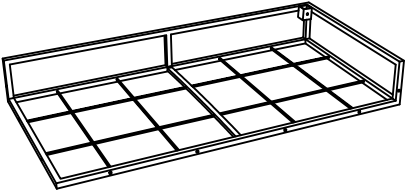
Step 5:


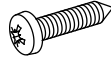




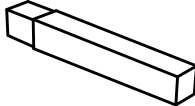


Step 6:

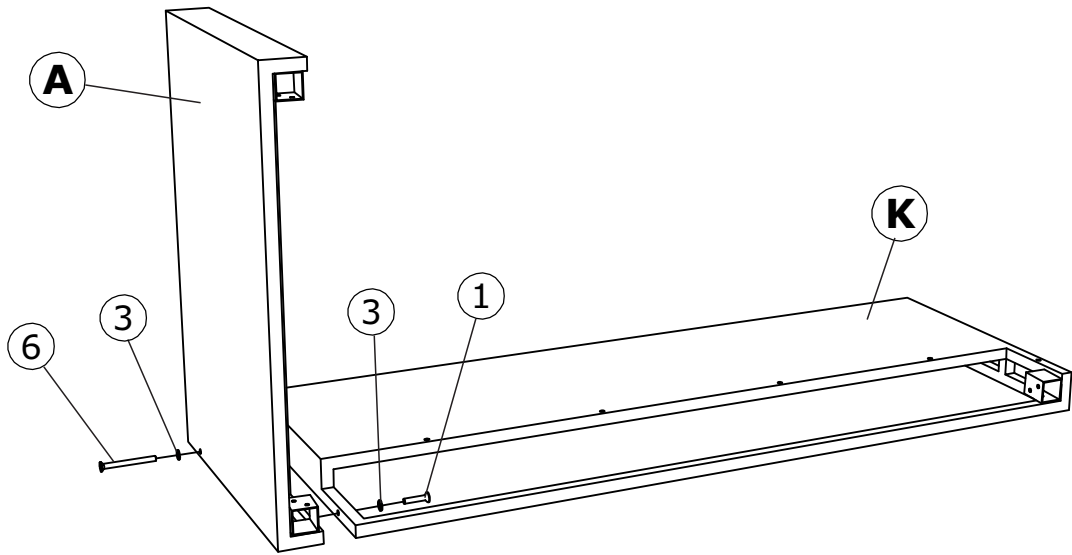




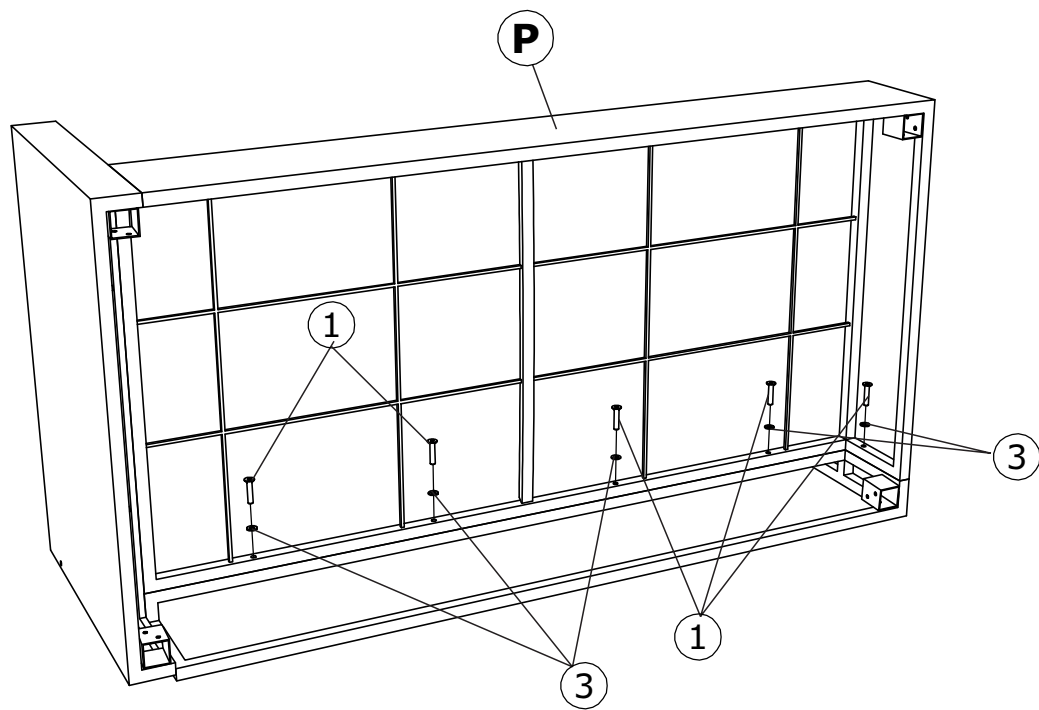
| | | |
|---|---|-------|
| A |  | 1 PC |
| F |  | 2 PCS |
| K |  | 1 PC |
| N |  | 1 PC |
| P |  | 1 PC |

| | | |
|---|---|--------|
| 1 |  M6x40 mm | 10 PCS |
| 2 |  Screw M4x25mm | 12 PCS |
| 3 |  washers | 11 PCS |
| 4 |  Plastic shackles | 4 PCS |
| 5 |  | 1 PC |
| 6 |  M6x100 mm | 1 PCS |
| 8 |  | 4 PCS |

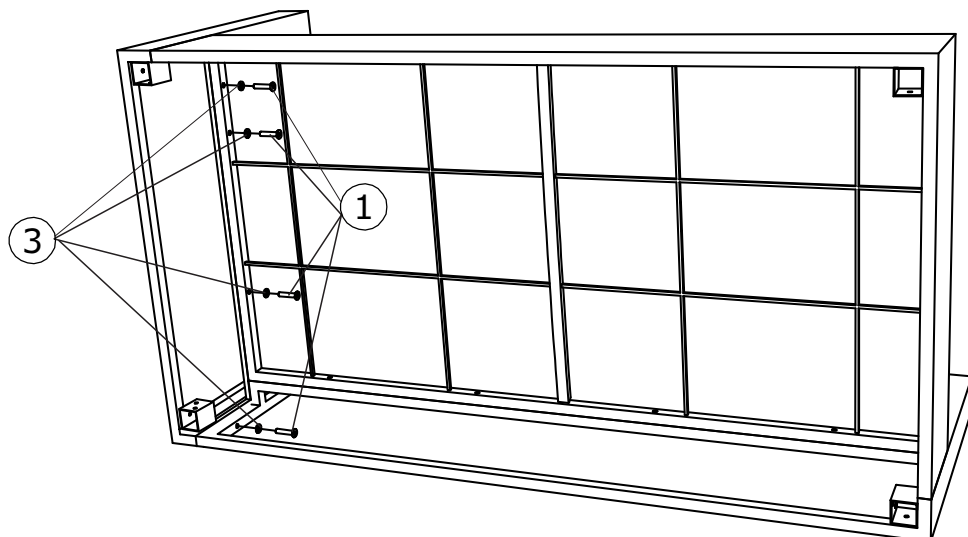
Step 1:



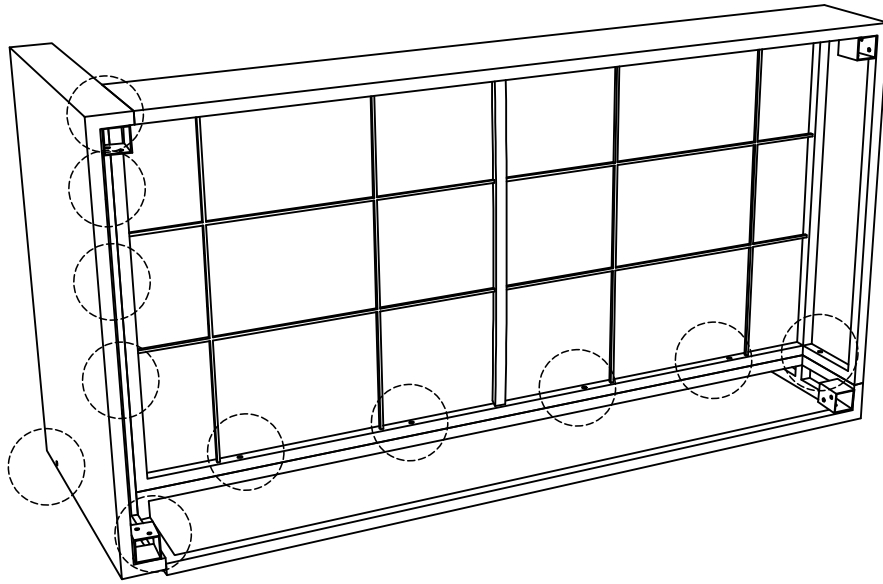
Step 2:



Step 3:

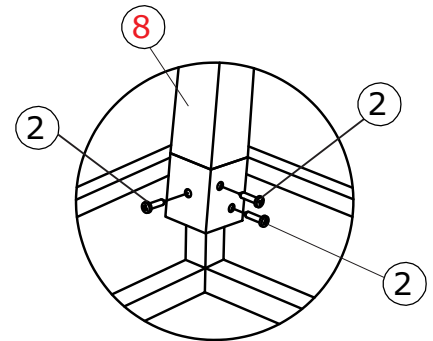
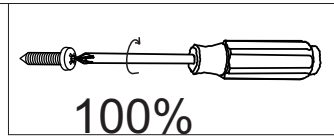
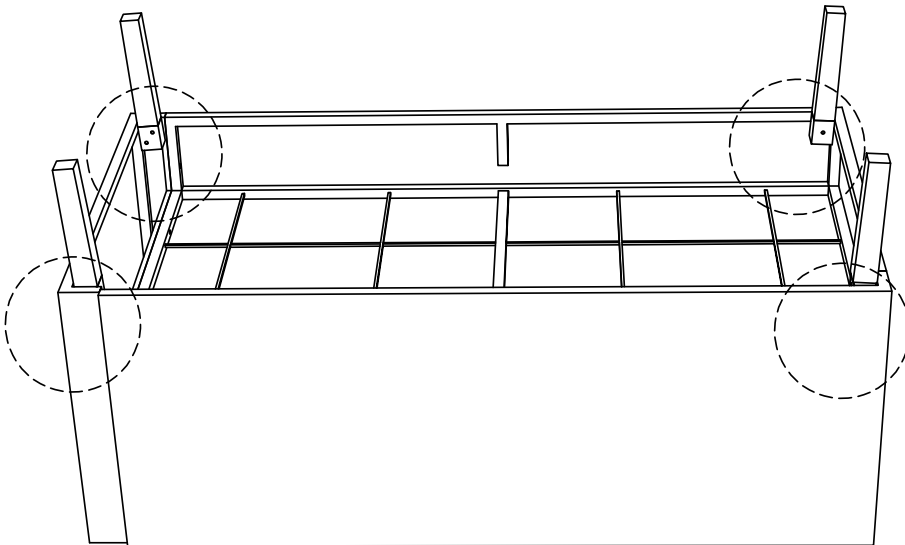


Step 4:

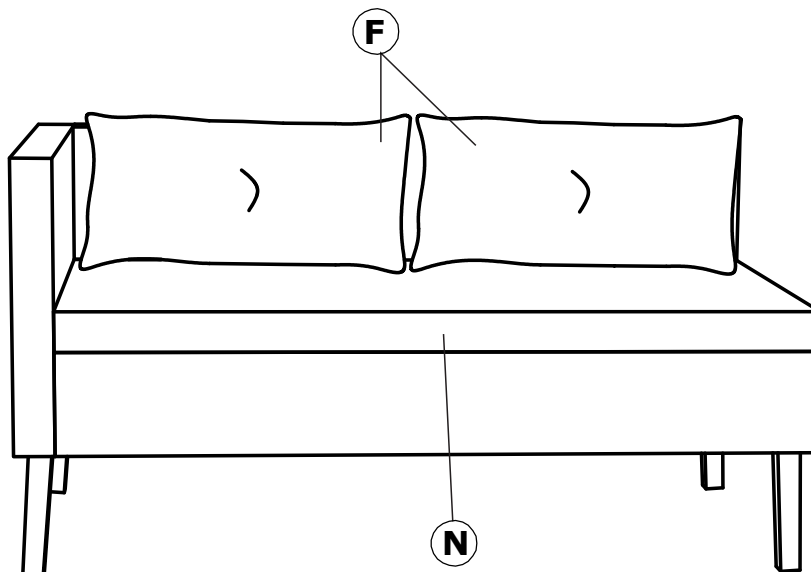


Tighten all bolts 100% - 11 positions

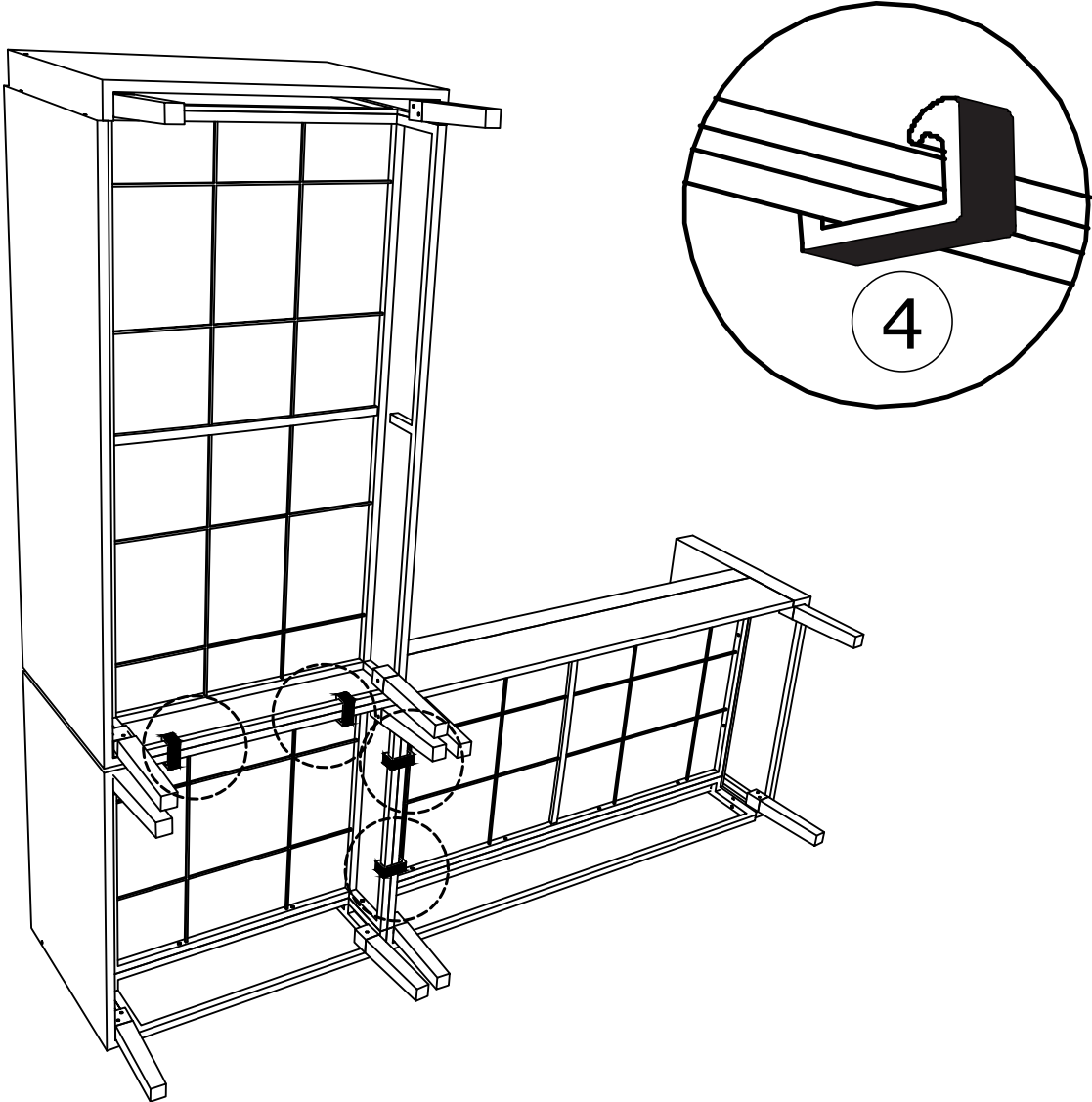
Step 5:



Step 6:



Step 7:



Step 8:

