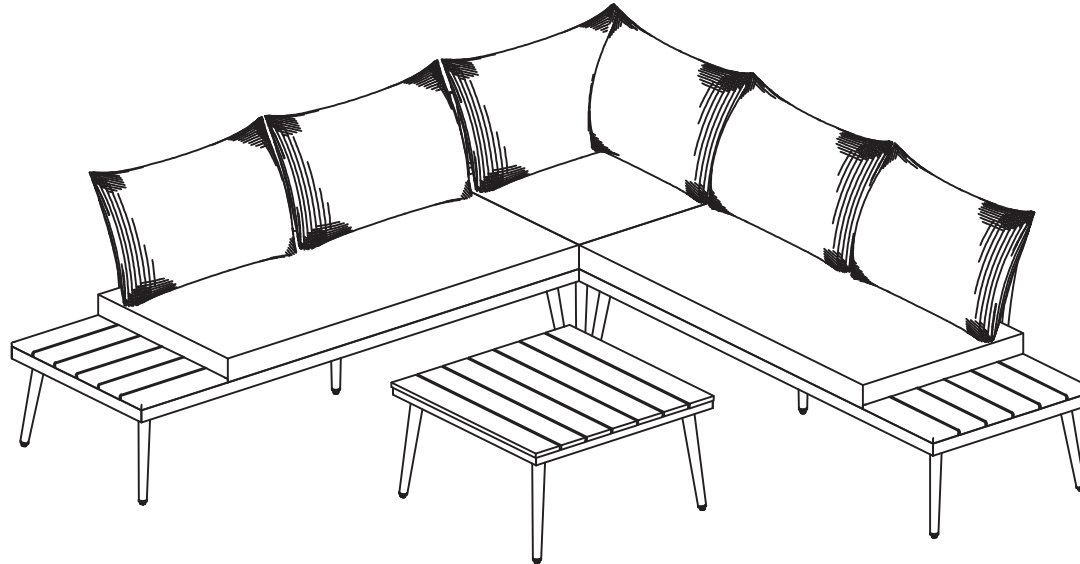


ASSEMBLY INSTRUCTION

BEAUMOUNT CORNER SOFA SET

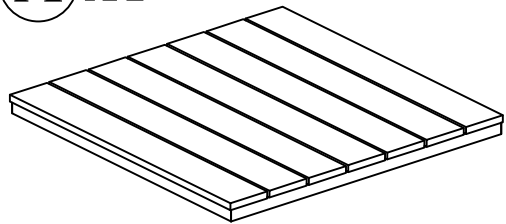
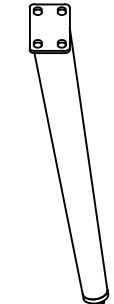
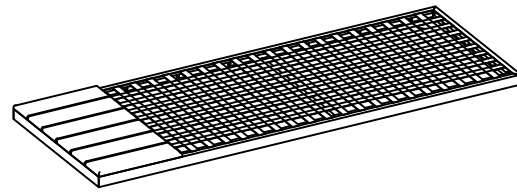
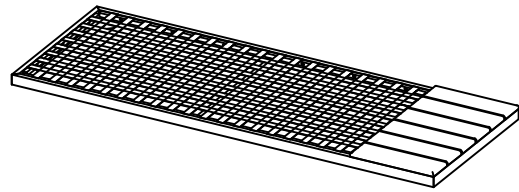
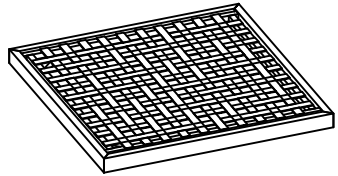
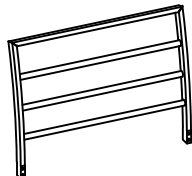
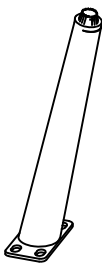

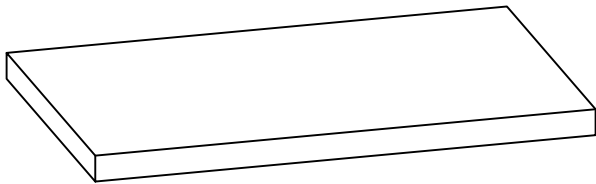
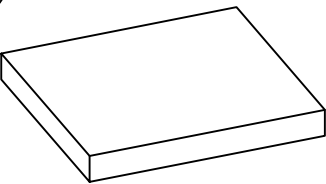
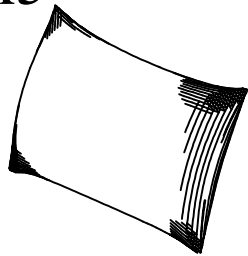
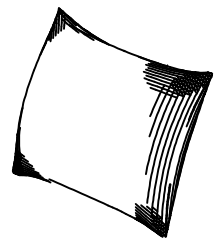


PLU: 145790

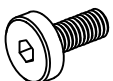
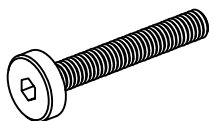



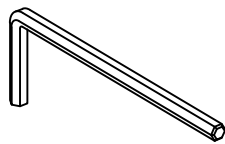
Notice :

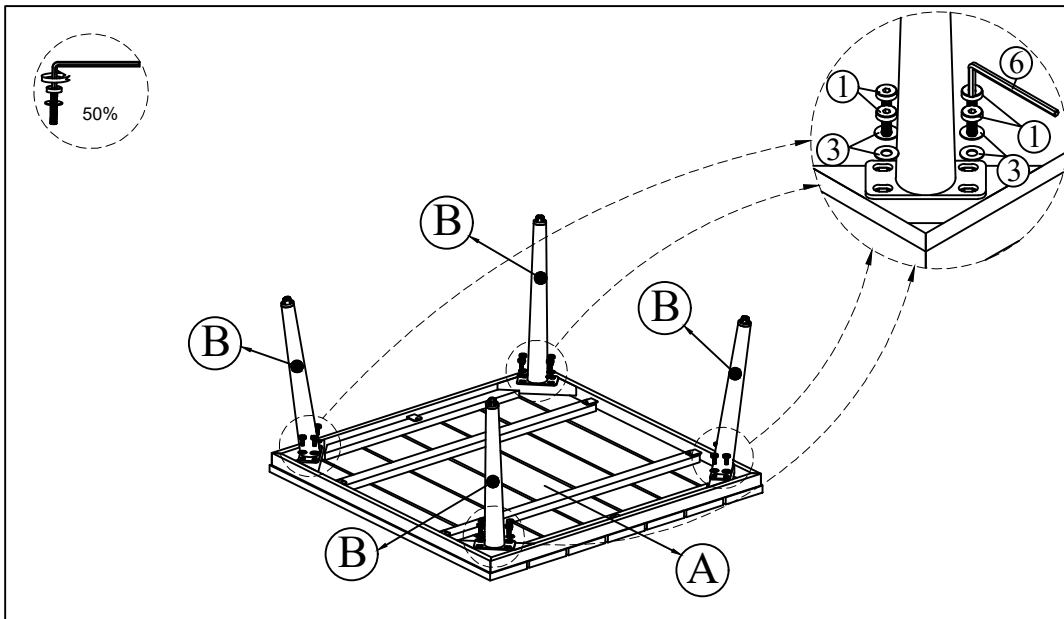
1. 50% Tighten before fixing all screws, Allen wrench is recommended instead of an electric drill.
2. Place the item on a flat ground to adjust and make sure it remains stable.
3. Tighten up all screws with tools gradually.
4. If the screws are not aligned with holes during assembly, please loosen all the other screws to 50% and continue the assembly process.
5. If the item is not stable, please loosen all the screws, adjust it on a flat ground and tighten up all screws again.
6. Note : If one or some screws are fully tightened during assembly, chances are the others will not be aligned with holes. In addition, all the holes are designed to be relatively larger to provide more space for the adjustment of the screws.

Part List :

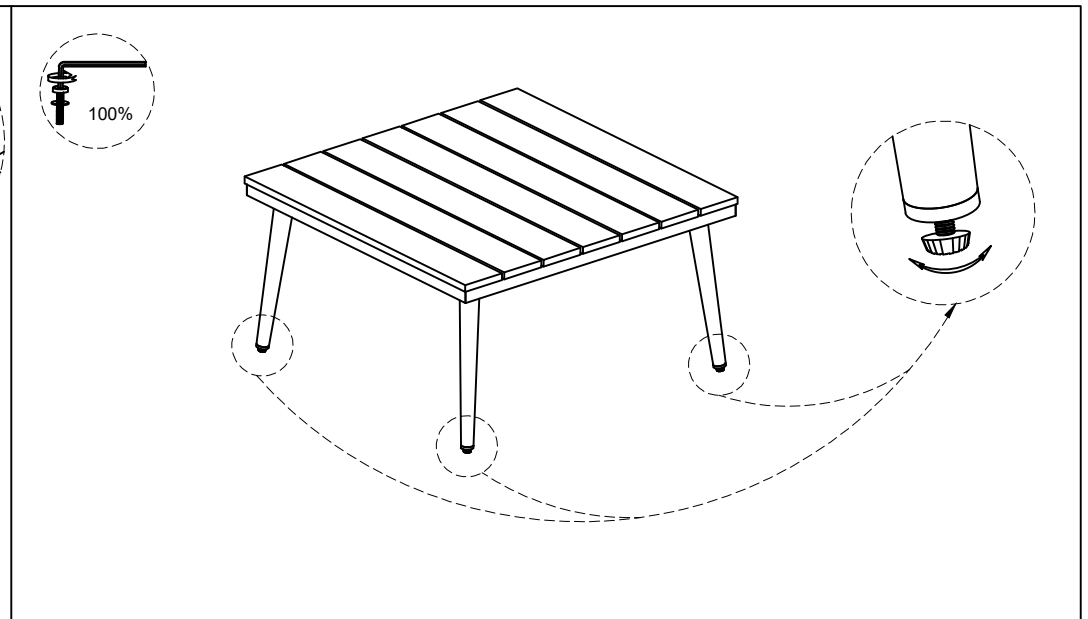
<p>A x1</p>  <p>Top Table</p>	<p>B x4</p>  <p>Leg Table</p>	<p>C x1</p>  <p>Right Bench</p>	<p>D x1</p>  <p>Left Bench</p>	
<p>E x1</p>  <p>Corner</p>	<p>F x6</p>  <p>Back</p>	<p>G x12</p>  <p>Side Leg Sofa</p>	<p>H x2</p>  <p>Middle Leg Sofa</p>	
<p>I x2</p>  <p>Seat Bench Cushion</p>		<p>J x1</p>  <p>Seat Corner Cushion</p>	<p>K x5</p>  <p>Back Cushion</p>	<p>L x1</p>  <p>Small Back Cushion</p>

Hardware List :

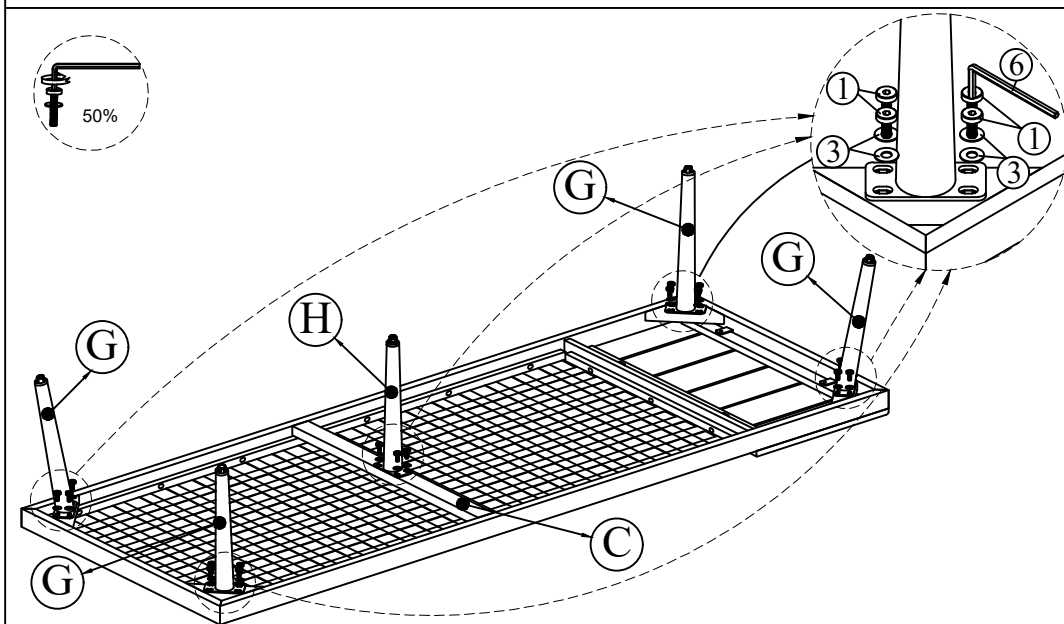
<p>1 x72</p>  <p>Bolt M6 x 15mm</p>	<p>2 x24</p>  <p>Bolt M6 x 40mm</p>	<p>3 x96</p>  <p>Flat Washer M6 x 1mm</p>	<p>4 x24</p>  <p>Vent Washer M6 x 2mm</p>	<p>5 x24</p>  <p>Cover M6</p>	<p>6 x2</p>  <p>Allen Key</p>
---	---	---	---	---	---



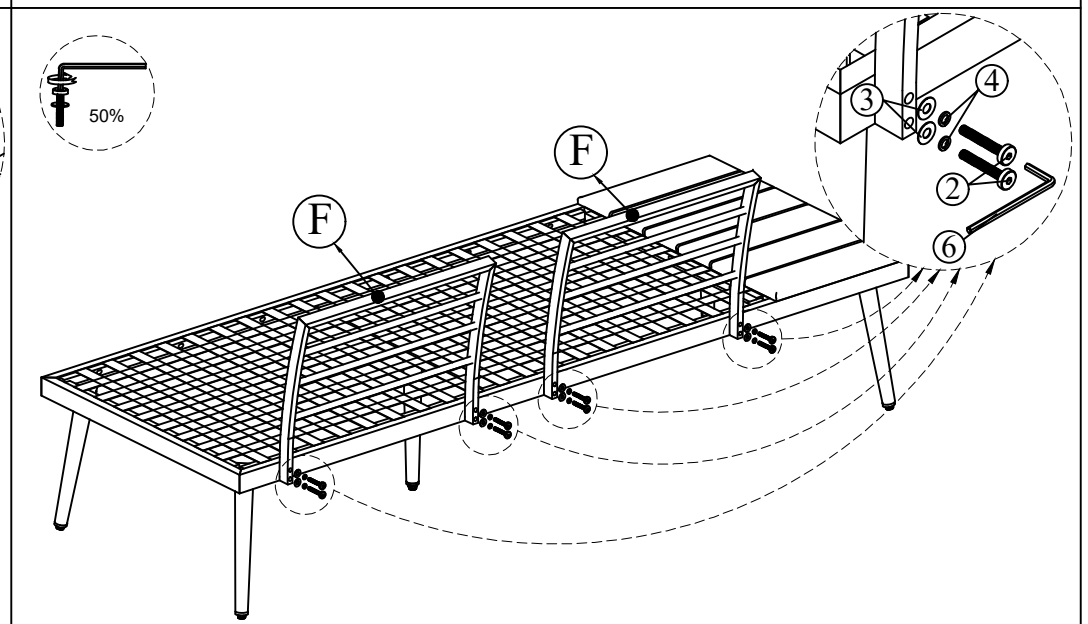
STEP 1: Connect The Part Top Table (A) & Leg Table (B), tighten Bolt (1), Flat Washer (3) with Allen Key (6).



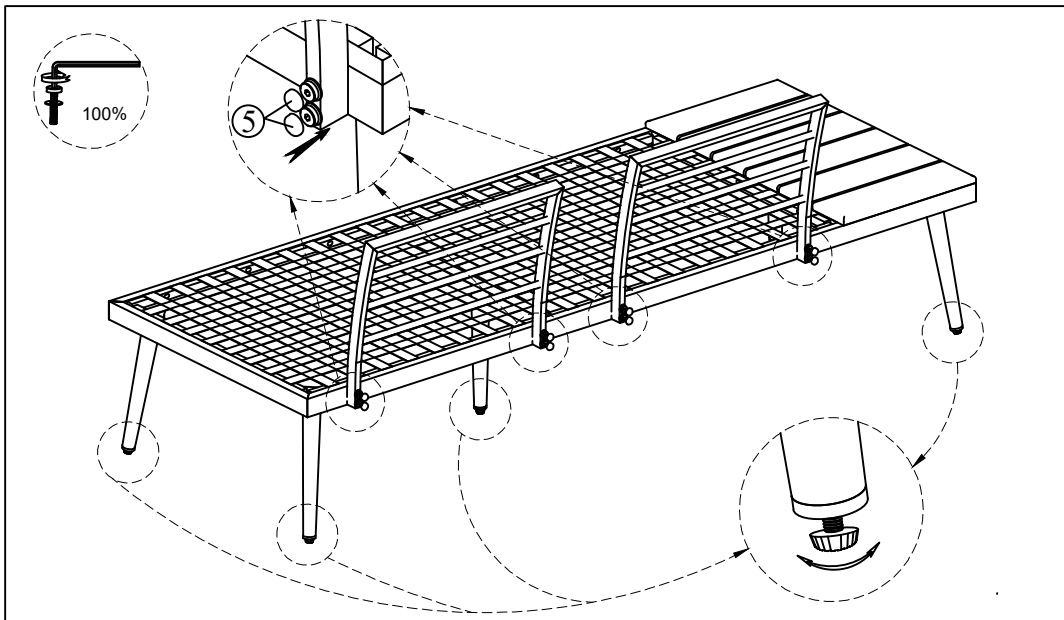
STEP 2: Put the Table upright and make sure all legs are level, then firmly tighten Bolts with Allen Key (6) to Finish Table.



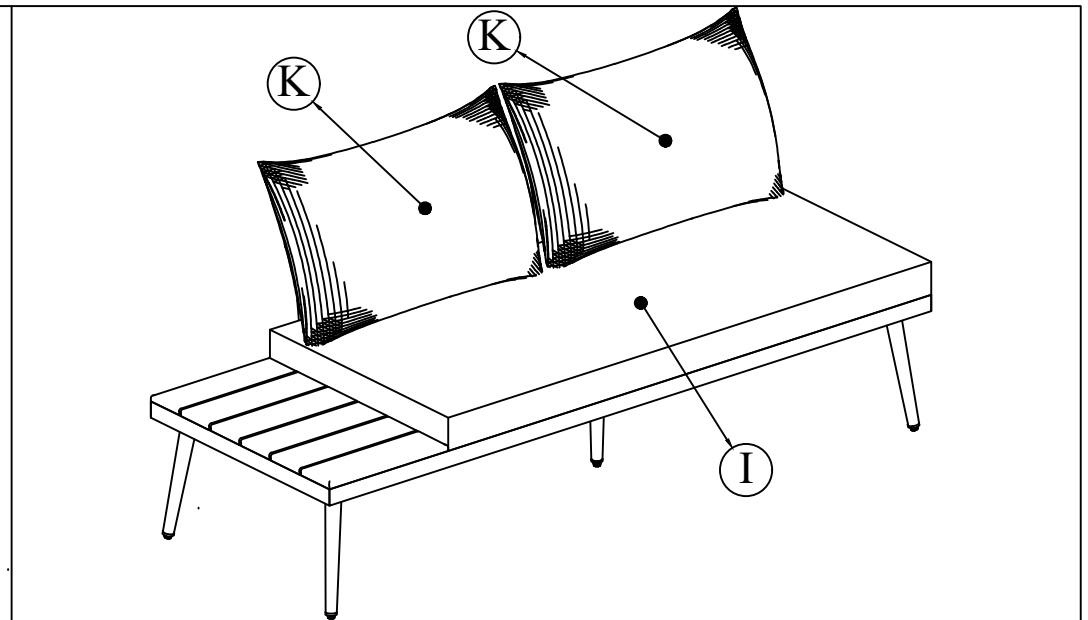
STEP 3: Connect The Part Right Seat Bench (C) & Side Leg Sofa (G), Middle Leg Sofa (H), tighten Bolt (1), Flat Washer (3) with Allen Key (6).



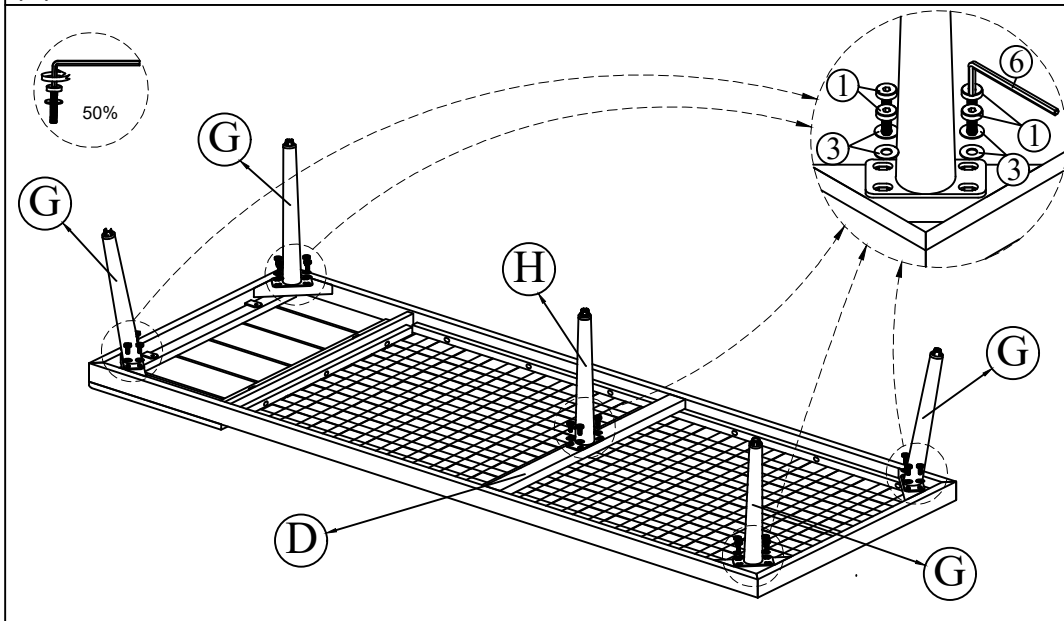
STEP 4: Connect The Part from STEP 3 & Back (F), tighten Bolt (2), Flat Washer (3), Vent Washer (4) with Allen Key (6).



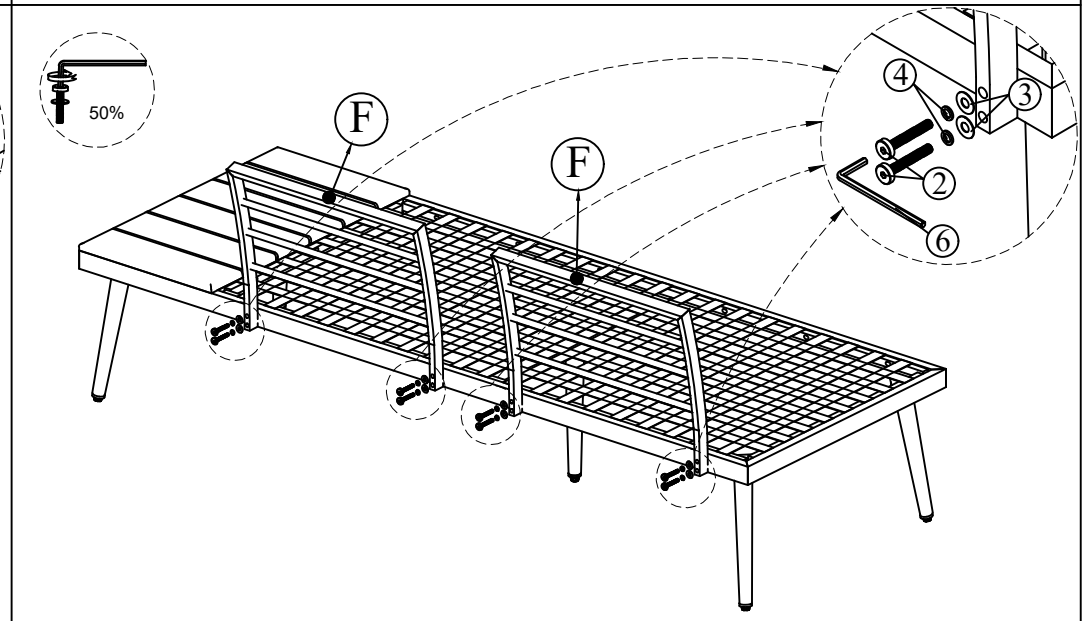
STEP 5: Put the Right Bench upright and make sure all legs are level, then firmly tighten Bolts with Allen Key (6) and Put to Cover (5).



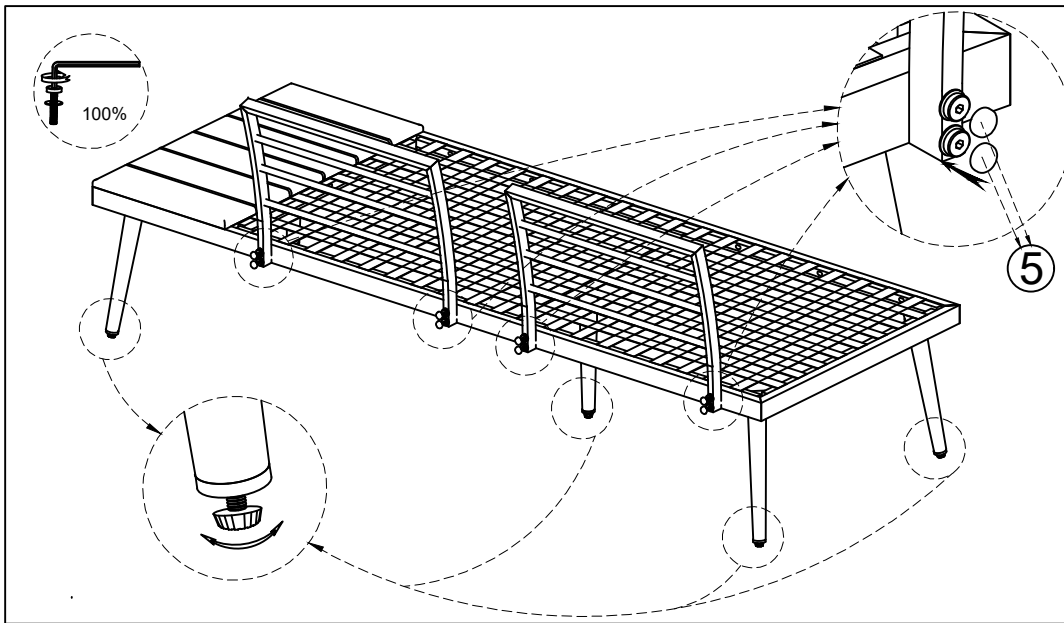
STEP 6: Put on Seat Bench Cushion (I) & Back Cushion (K) to Right Bench



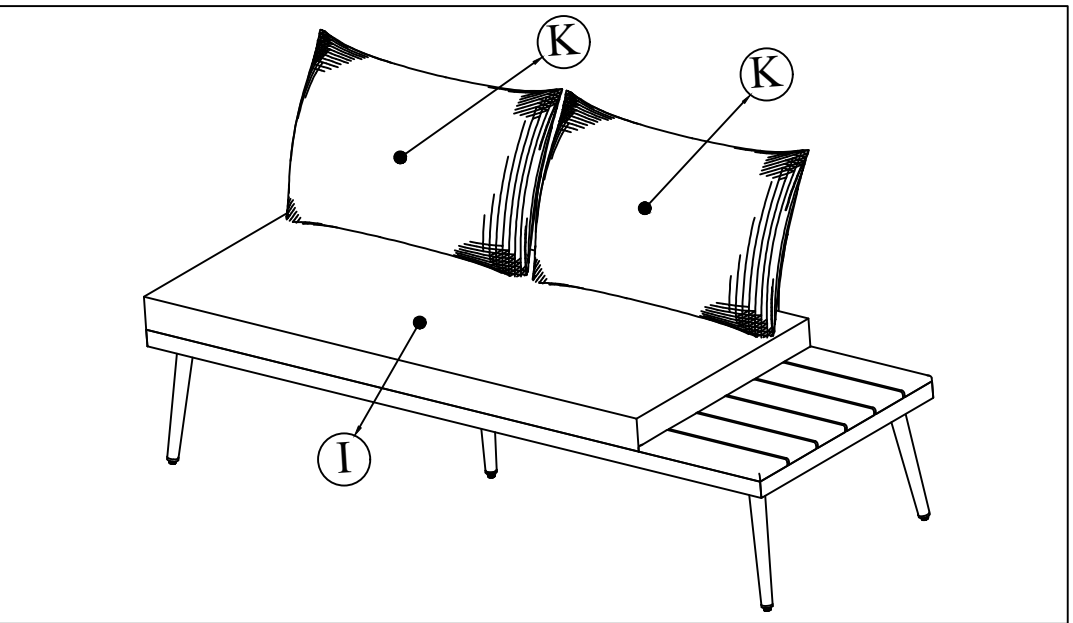
STEP 7: Connect The Part Left Seat Bench (D) & Side Leg Sofa (G), Middle Leg Sofa (H), tighten Bolt (1), Flat Washer (3) with Allen Key (6).



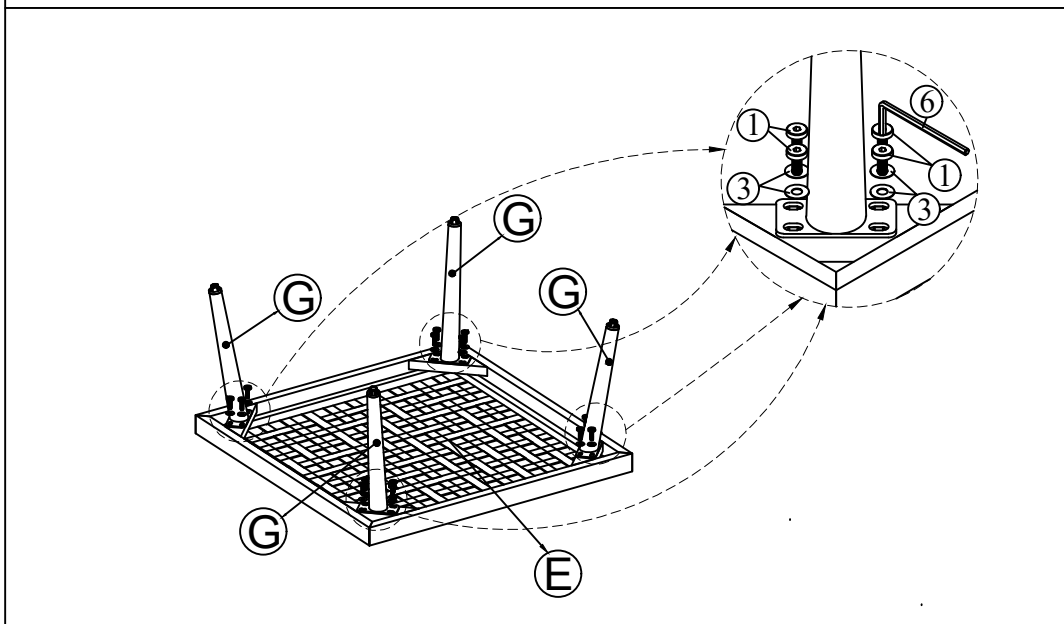
STEP 8: Connect The Part from STEP 7 & Back (F), tighten Bolt (2), Flat Washer (3), Vent Washer (4) with Allen Key (6).



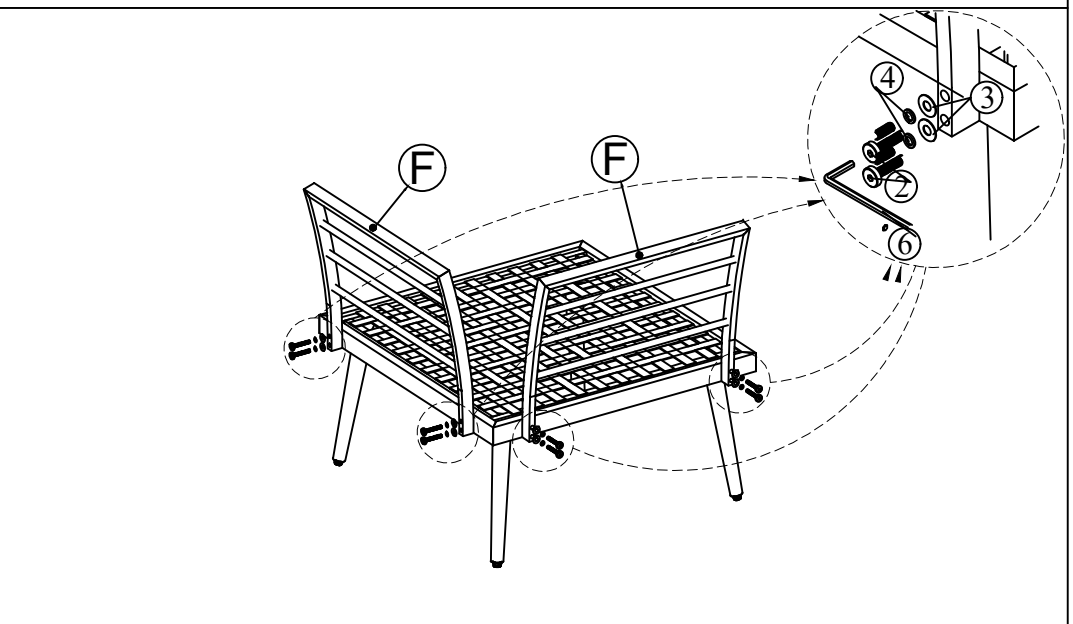
STEP 9: Put the Left Bench upright and make sure all legs are level, then firmly tighten Bolts with Allen Key (6) and Put to Cover (5).



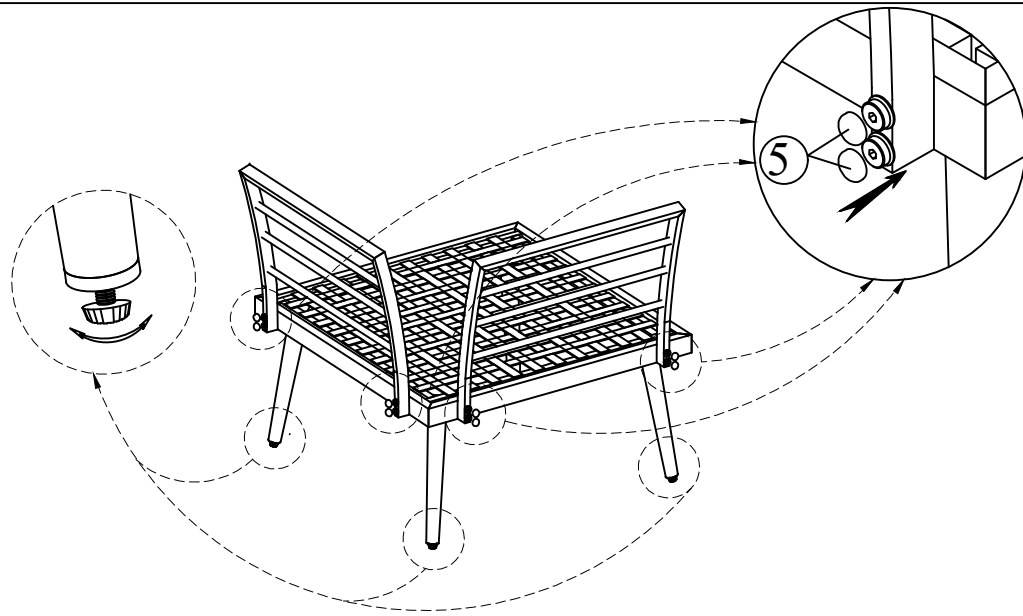
STEP 10: Put on Seat Bench Cushion (I) & Back Cushion (K) to Left Bench



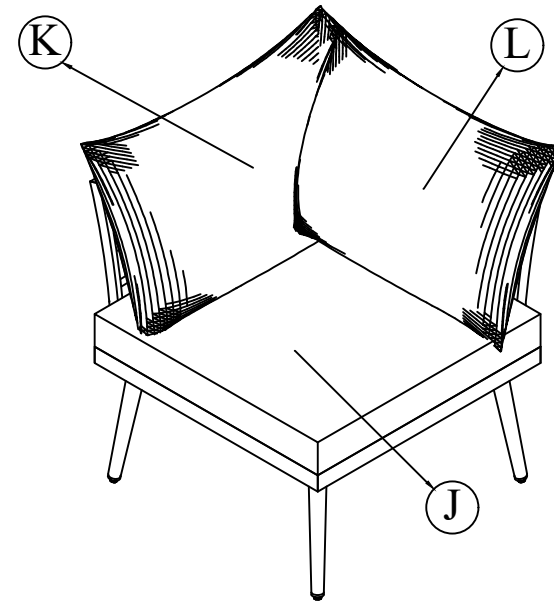
STEP 11: Connect The Part Corner (E) & Side Leg Sofa (G), tighten Bolt (1), Flat Washer (3) with Allen Key (6).



STEP 12: Connect The Part STEP 11 & Back (F), tighten Bolt (2), Flat Washer (3), Vent Washer (4) with Allen Key (6).



STEP 13: Put the Corner upright and make sure all legs are level, then firmly tighten Bolts with Allen Key (6) and Put to Cover (5).



STEP 14: Put on Seat Corner Cushion (J), Back Bench Cushion (K) & Back Corner Cushion (L) to Corner

