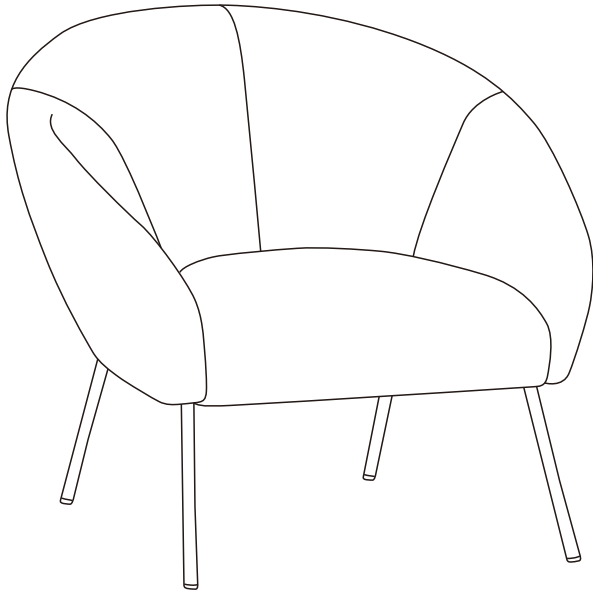
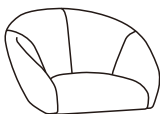
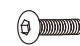


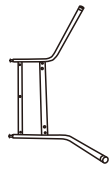
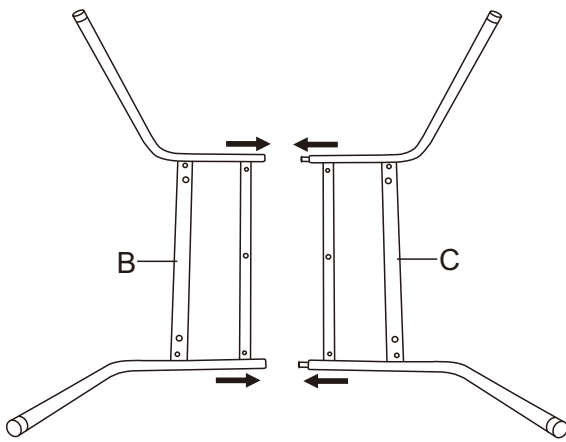


# ASSEMBLY INSTRUCTIONS

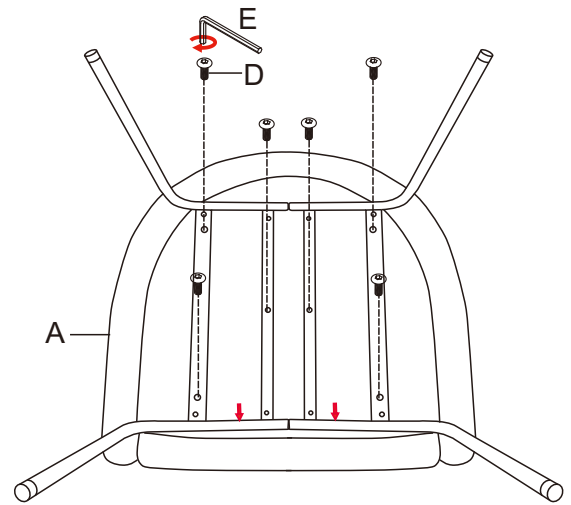


Ax1 	Dx6 
Bx1 	Ex1 
Cx1 	

1



2



3

