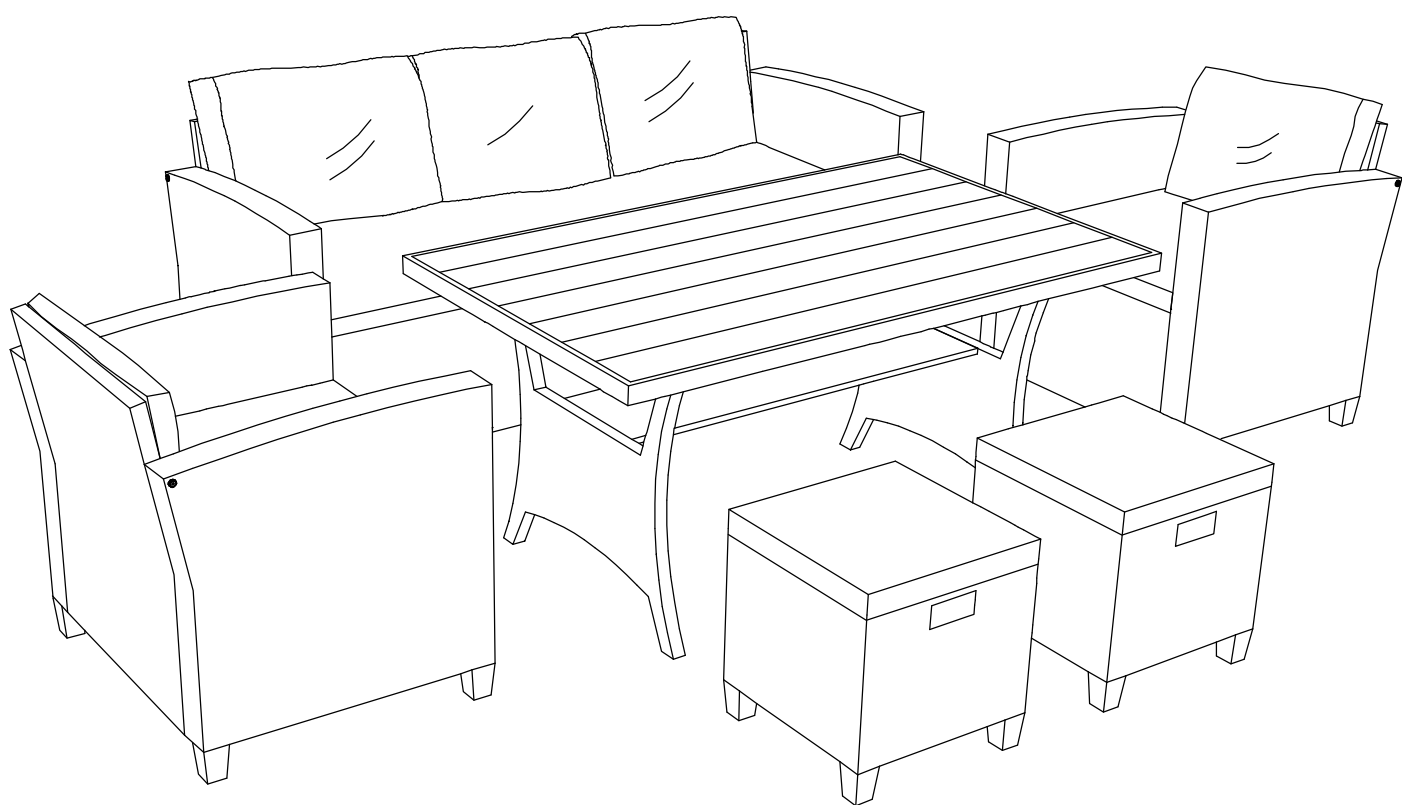
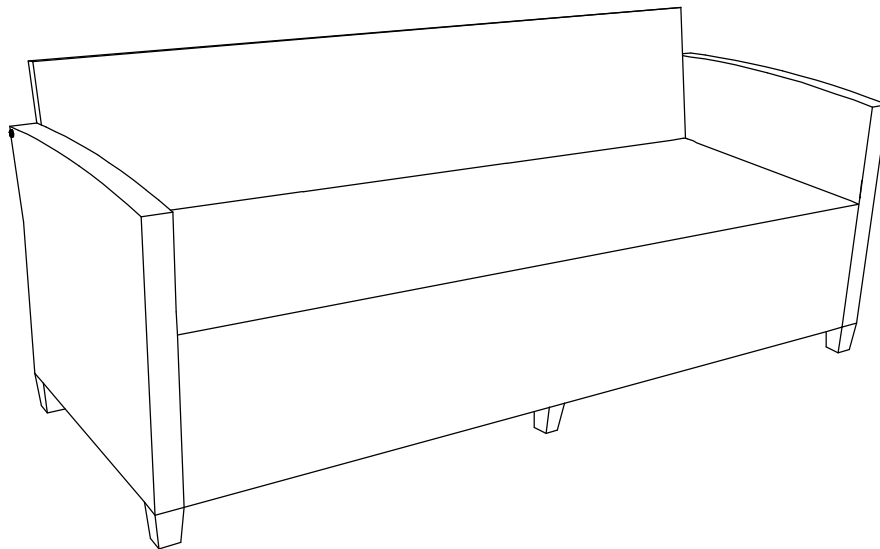
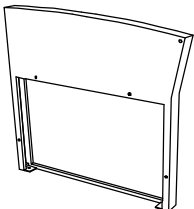
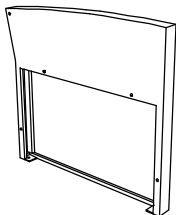
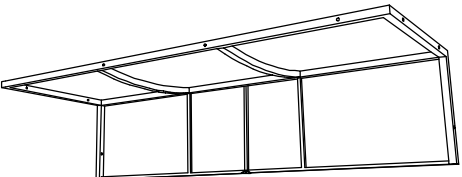
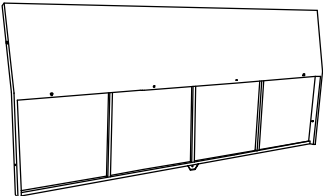
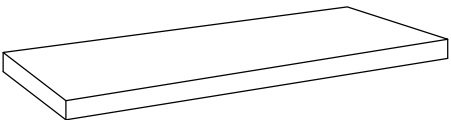



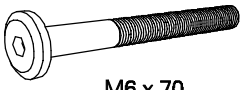
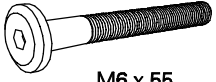

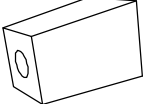



# ASSEMBLY INSTRUCTION

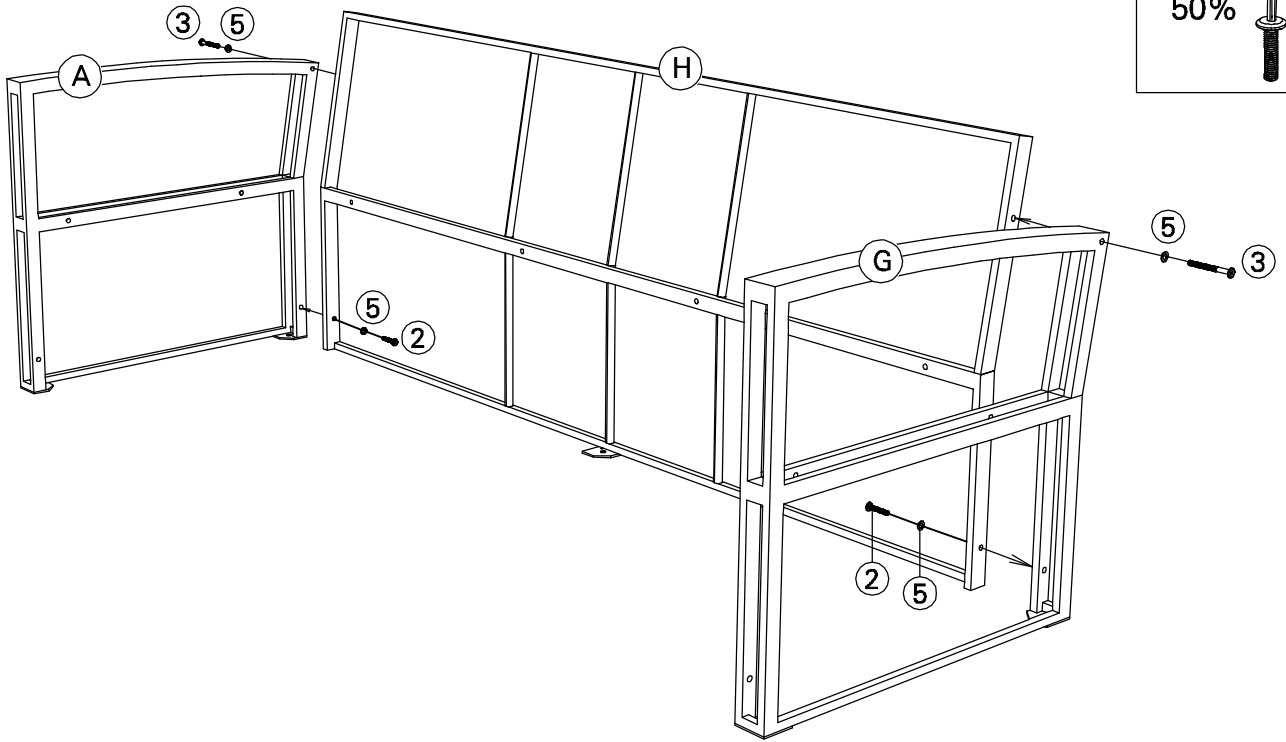




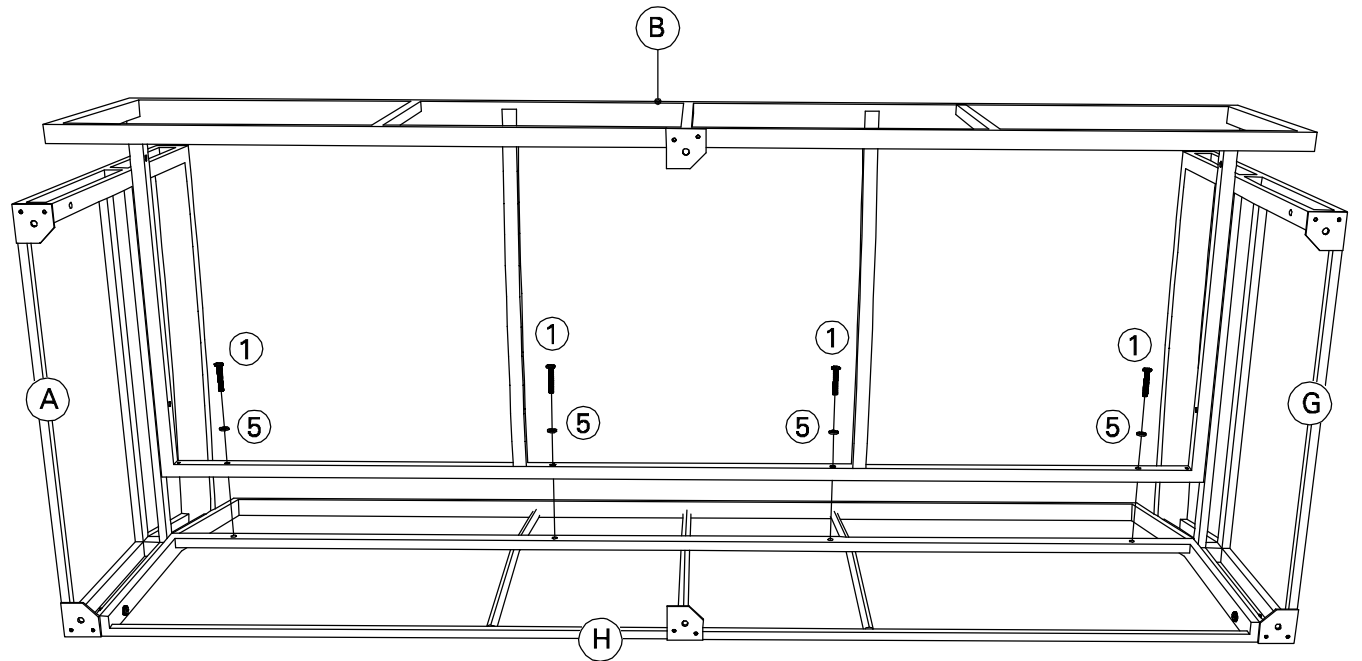
A		1 PC
G		1 PC
B		1 PC
H		1 PC
E		1 PC
F		3 PCS

1	 M6 x 40	8 PCS
2	 M6 x 35	4 PCS
3	 M6 x 70	2 PCS
4	 M6 x 55	6 PCS
5	 Ø6 x 14	14 PCS
6		6 PCS
8	 Allenkey 4x60	1 PC

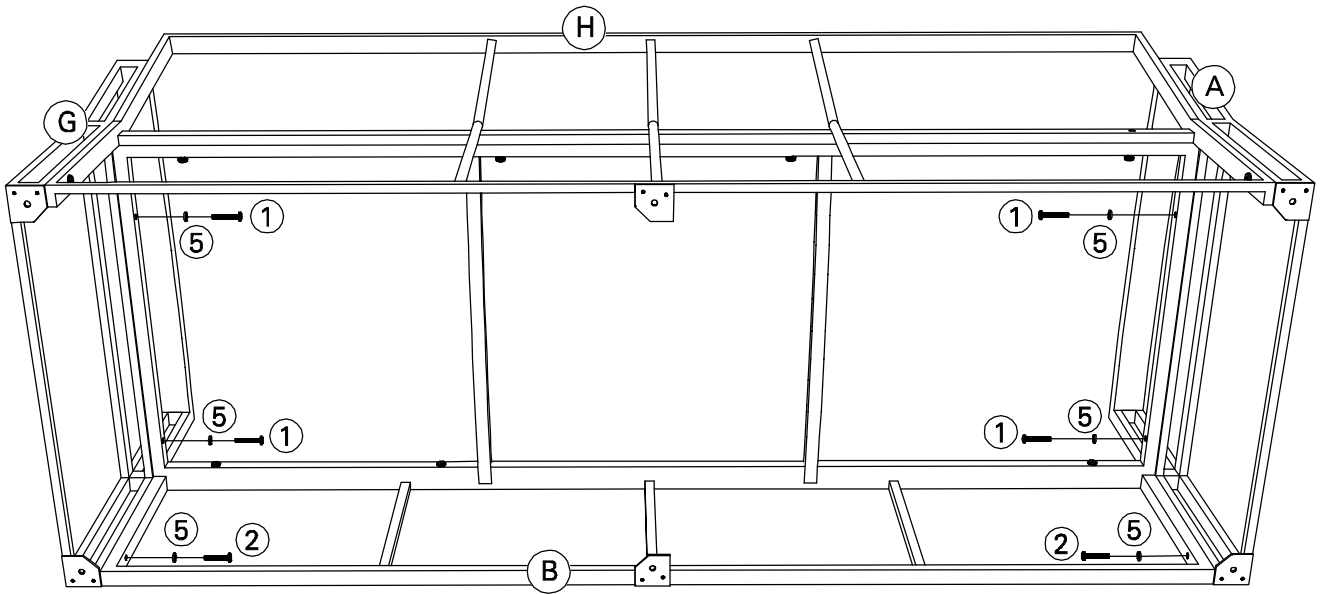
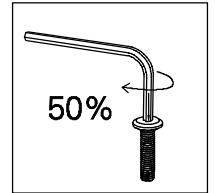
1



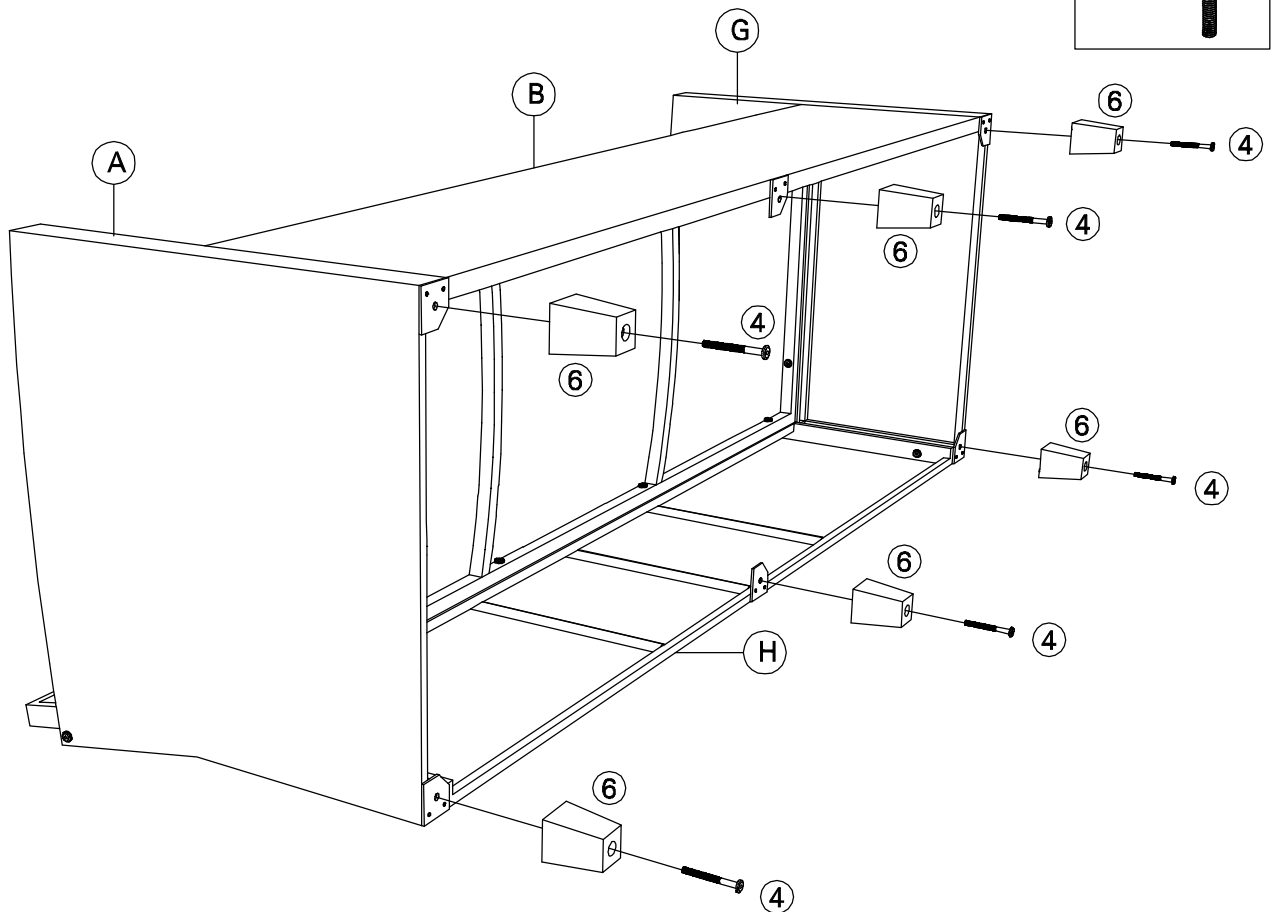
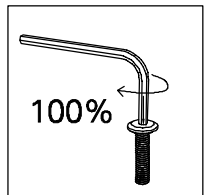
2

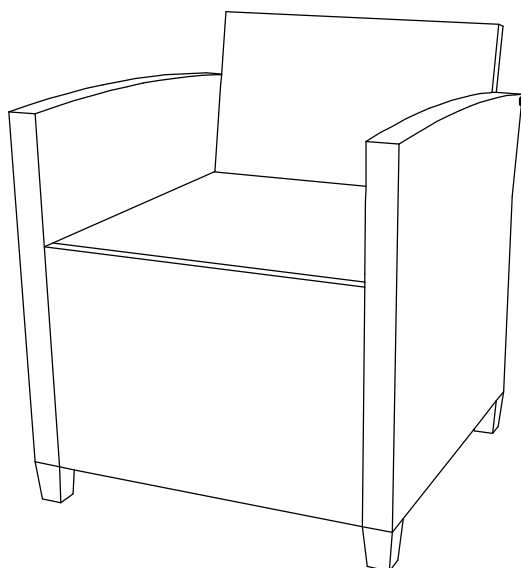


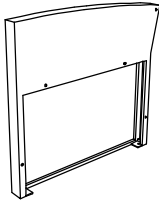
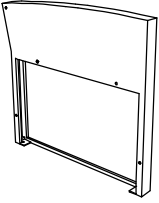
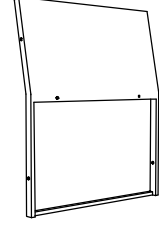
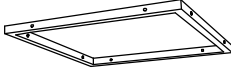
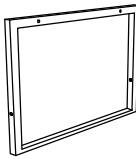
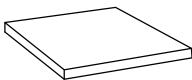

3


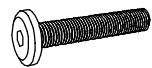
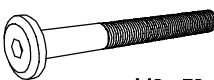
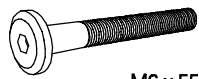

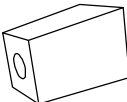



4

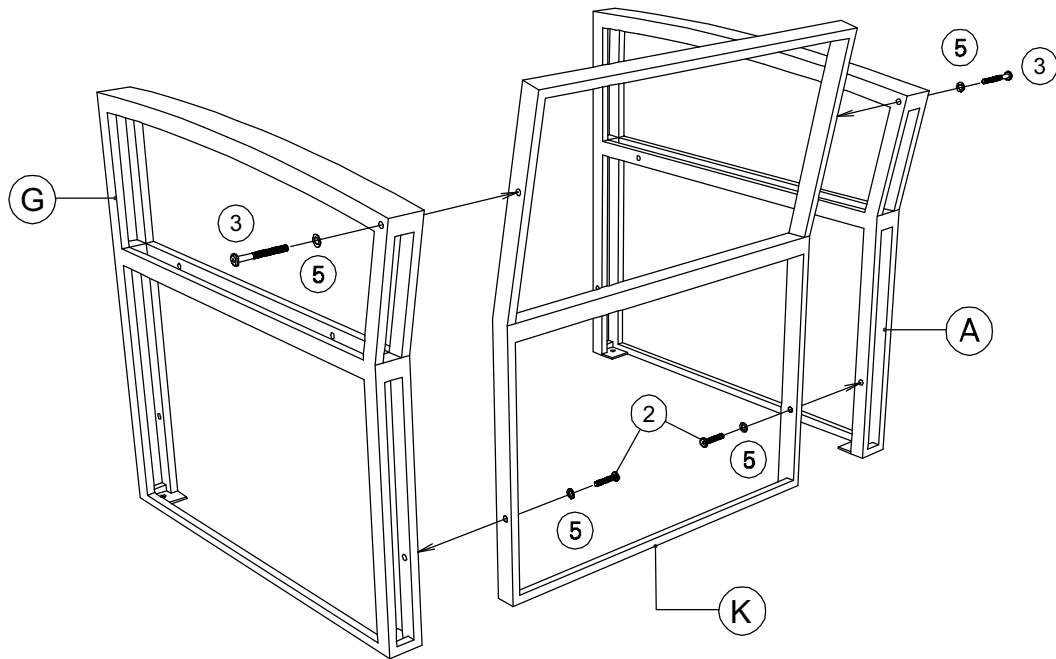
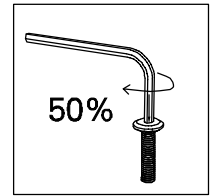




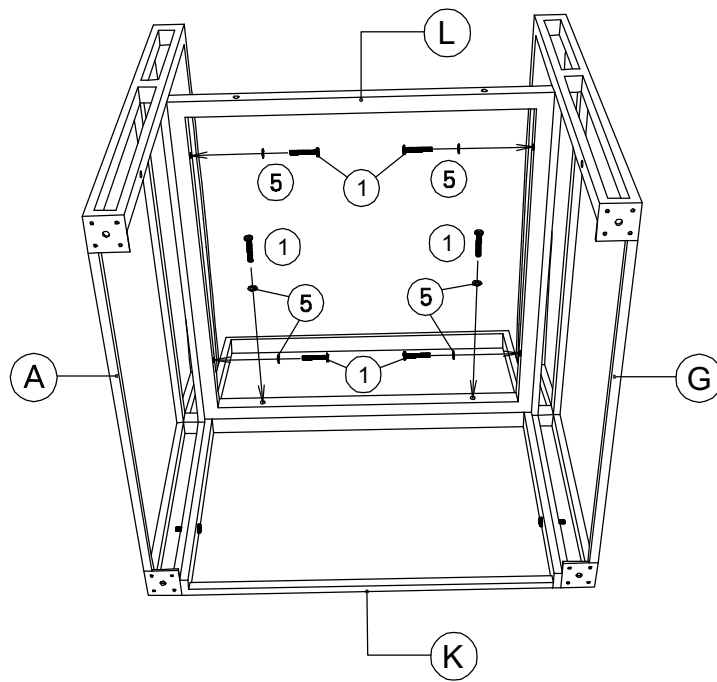
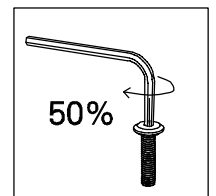
A		1 PC x2
G		1 PC x2
K		1 PC x2
L		1 PC x2
M		1 PC x2
N		1 PC x2
F		1 PC x2

1	 M6 x 40	8 PCS x2
2	 M6 x 35	4 PCS x2
3	 M6 x 70	2 PCS x2
4	 M6 x 55	4 PCS x2
5	 Ø 6 x 14	14 PCS x2
6		4 PCS x2
8	 Allenkey 4x60	1 PC

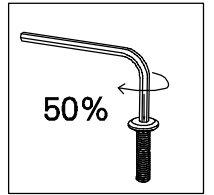
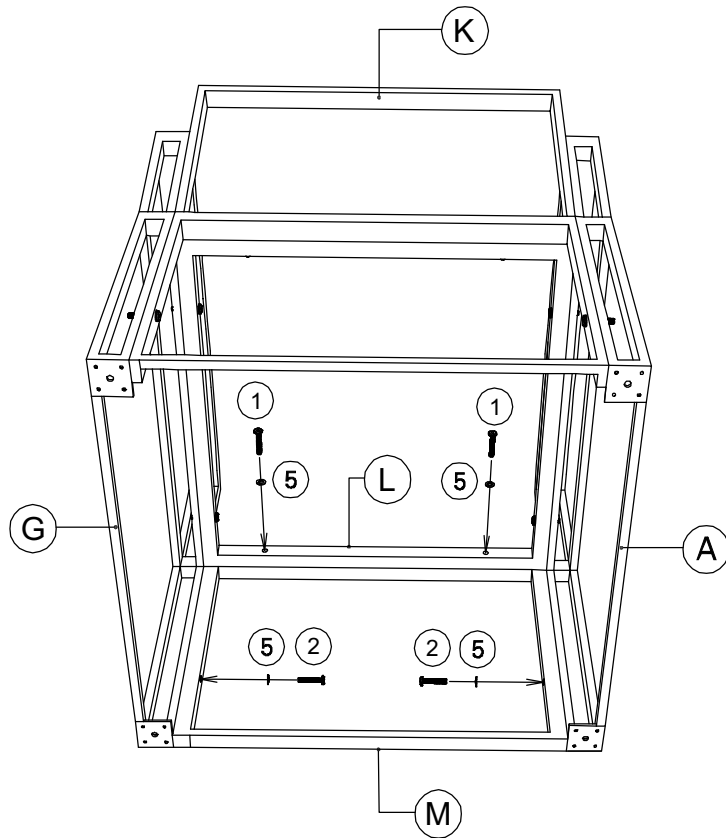
1



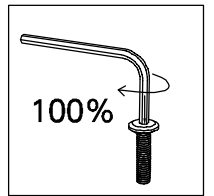
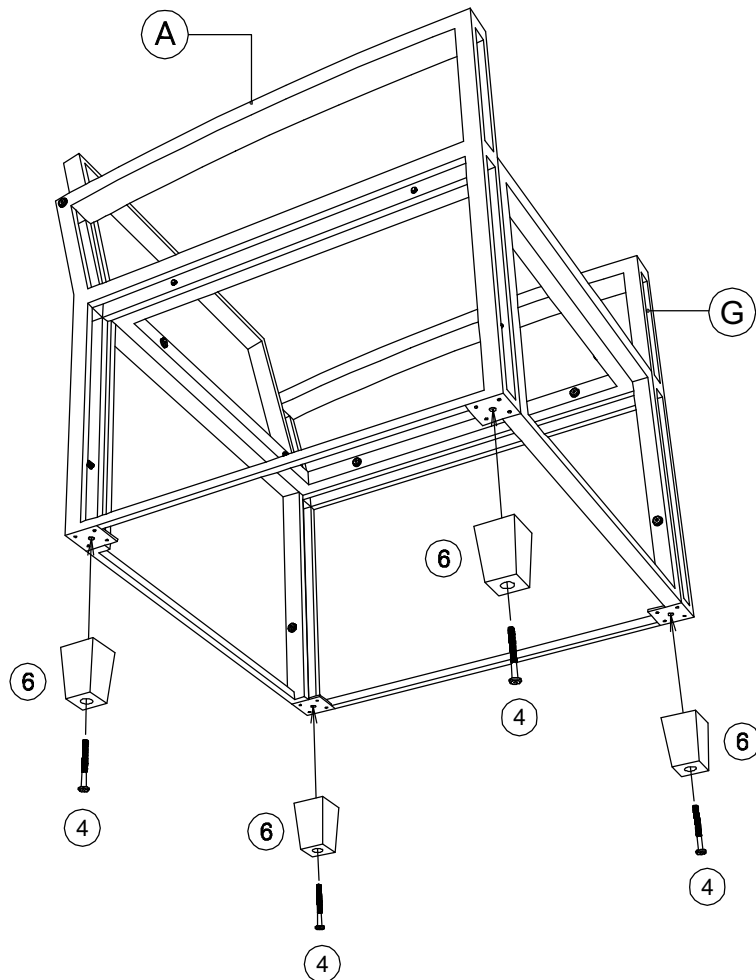
2

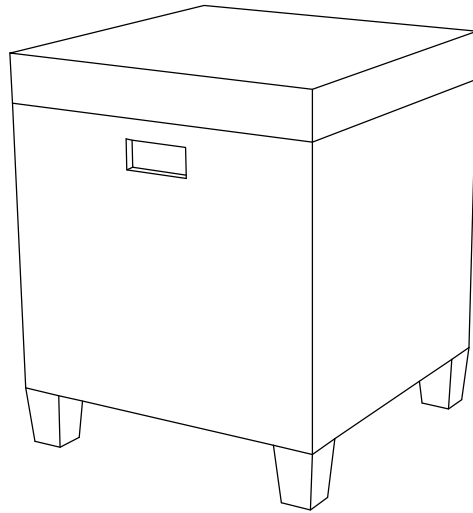


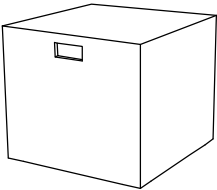
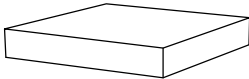
3

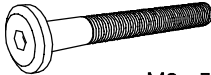
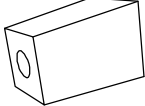



4

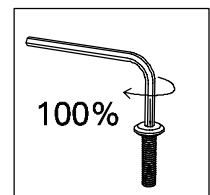
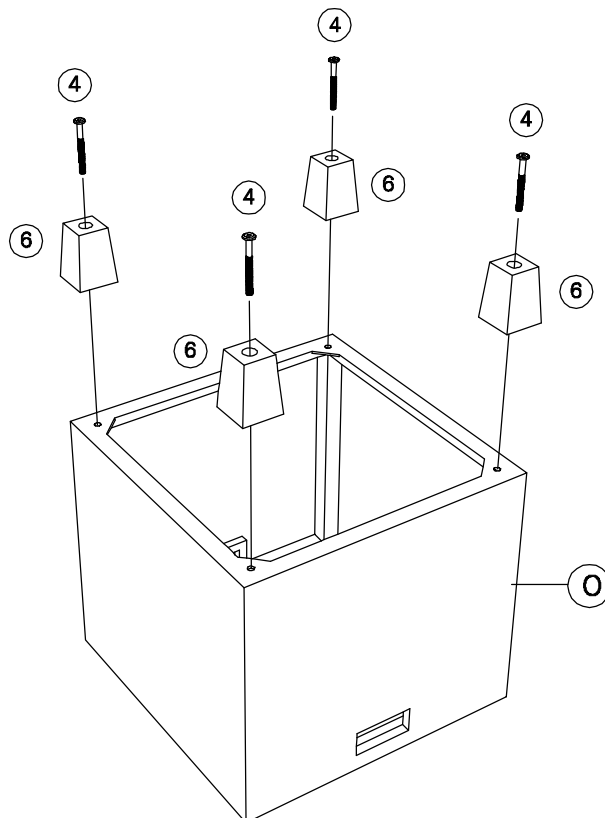




O		1 PC x 2
P		1 PC x 2

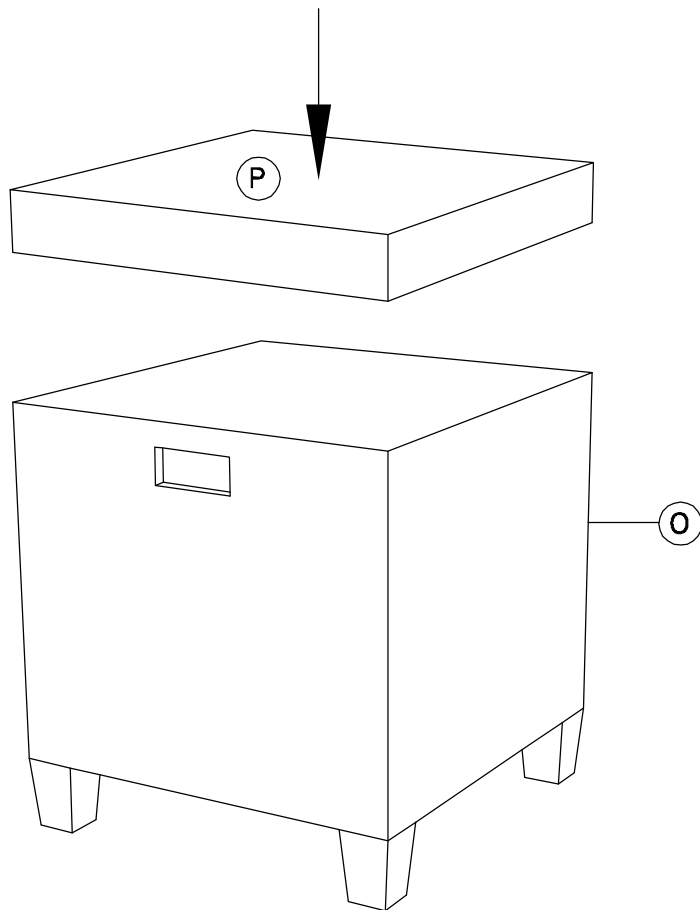
4	 M6 x 55	4 PCS x 2
6		4 PCS x 2
8	 Alenkey 4x60	1 PC

1

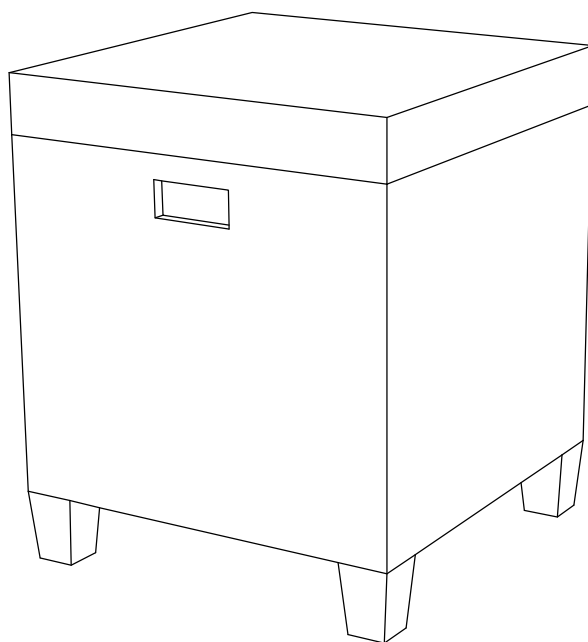




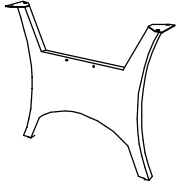
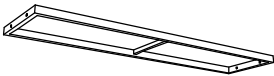

2



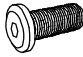

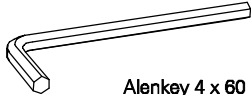


3

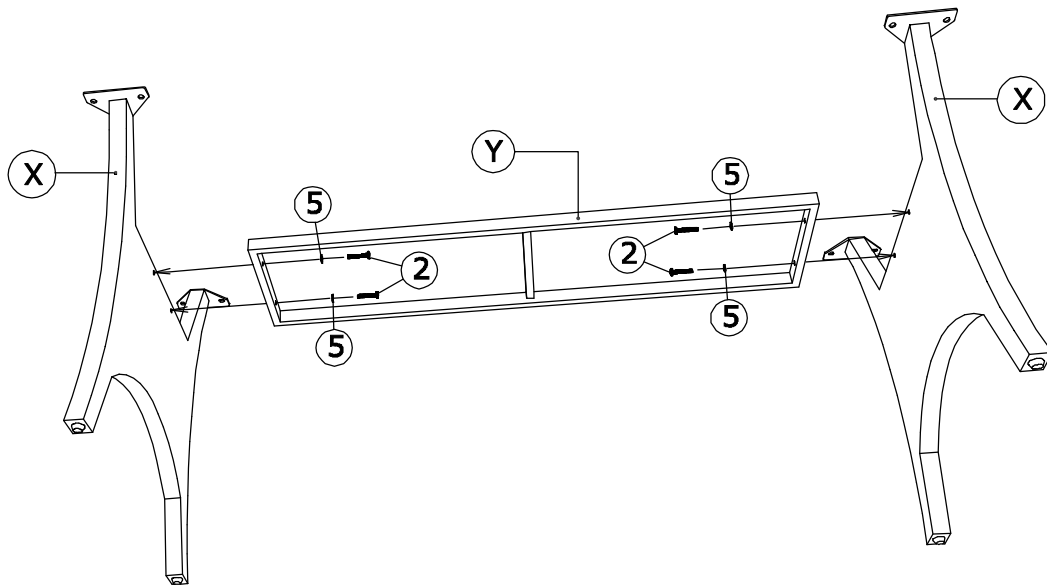
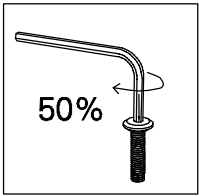




X		2 PCS
Y		1 PC
Z		1 PC

2	 <b>M6x35 mm</b>	4 PCS
5	 <b>Ø6 x 14 mm</b>	4 PCS
9	 <b>M8x20 mm</b>	8 PCS
10	 <b>Ø8 x 16 mm</b>	8 PCS
8	 <b>Allenkey 4 x 60</b>	1 PC

1



2

