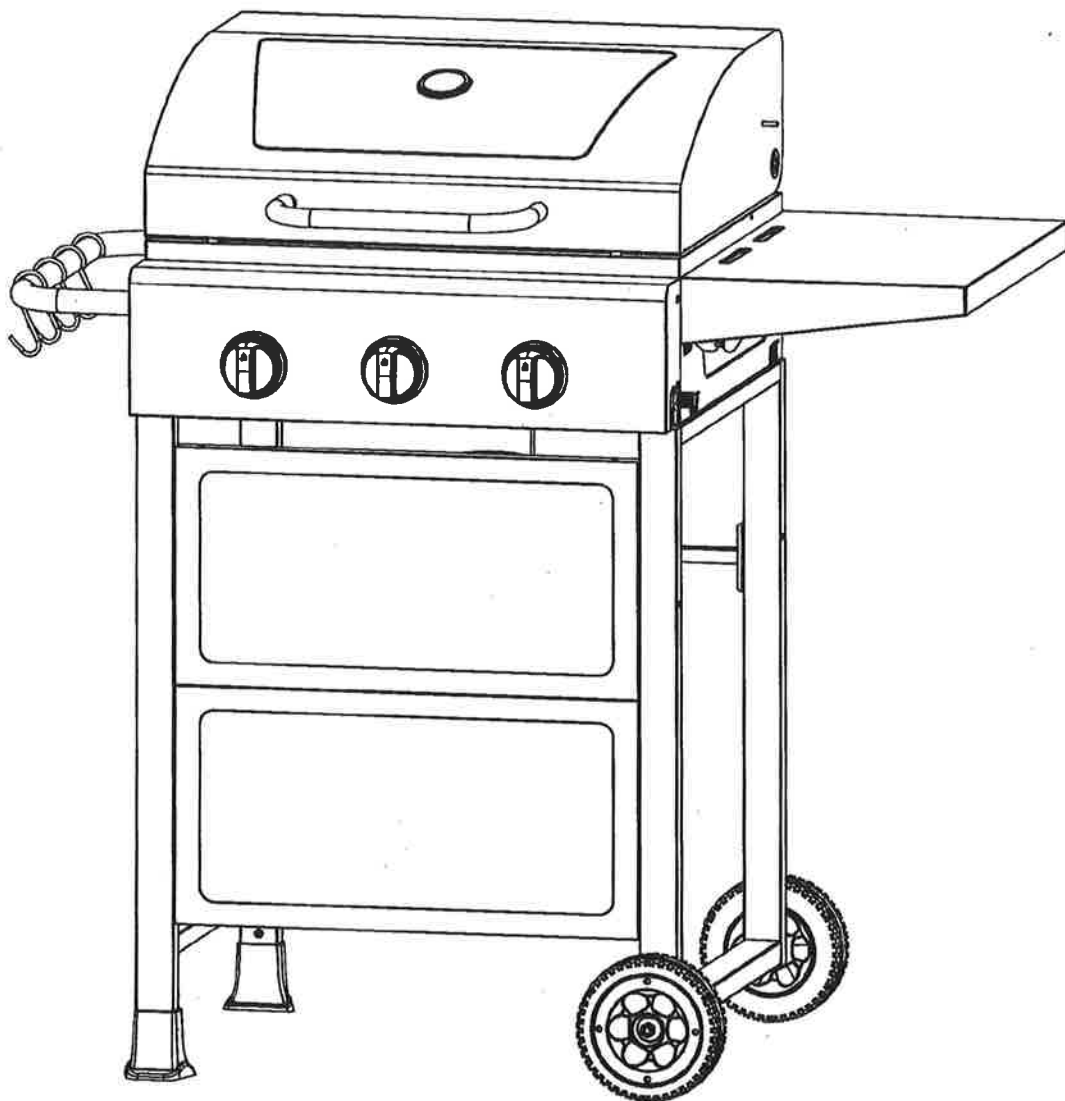


# Master Cook

## 3 Burner Gas Grill

Product size assembled:  
H1040 x W1035 x D580mm

Model No.: SRGG31403A  
User Manual



**CE** 0063-18

Keep the instructions for future reference.

SUPPLIED BY:

Shinerich Industrial Ltd.  
8/F, Noble Center, 1006 Fuzhong 3rd Road,  
Fujian District, Shenzhen, China

**CE**  
0063-18

Product Name

3 BURNER GAS GRILL

Model No. SRGG31403A

PIN Number

0063CT7097

ΣQn

9 kW(655 g/h)

Country

Category

Injector Size  
(Main Burner)

Gas & Pressure

AT  CH  DE  SK

1kg/900

0.74 mm

G30 Butane and G31 Propane at 30mbar

BG  CY  DK  EE

1kg/900

0.84 mm

G30 Butane and G31 Propane at 30mbar

FI  FR  GR  HU

1kg/900

0.84 mm

G30 Butane and G31 Propane at 30mbar

IS  IT  LT  LU

1kg/900

0.84 mm

G30 Butane and G31 Propane at 30mbar

MT  NL  NO  SE

1kg/900

0.84 mm

G30 Butane and G31 Propane at 30mbar

SI  SK  RO  TR

1kg/900

0.84 mm

G30 Butane and G31 Propane at 30mbar

AT  CH  CY  CZ

1kg/900

0.84 mm

G30 Butane and G31 Propane at 30mbar

DE  FR  GB  GR

1kg/900

0.84 mm

G30 Butane and G31 Propane at 30mbar

IE  IT  LT  LU

1kg/900

0.84 mm

G30 Butane and G31 Propane at 30mbar

LV  PT  SI  SK

1kg/900

0.84 mm

G30 Butane and G31 Propane at 30mbar

PL

1kg/900

0.84 mm

G30 Butane and G31 Propane at 30mbar

**CAUTION:**

USE OUTDOORS ONLY. If stored indoors, detach and leave cylinder outdoors.

Read the instructions before using the appliance.

Minimum clearance from side and back of unit to combustible construction: 100cm.

WARNING: Accessible parts may be very hot. Keep young children away.

MADE IN CHINA

**Manufacturer:**

SHINERICH INDUSTRIAL LIMITED  
Address: 8/F, Noble Center, 1006 Fuzhong  
3rd Road, Futian District, Shenzhen, GD  
518026, CHINA  
Phone: +86 - 755 - 8826 7676

For questions, replacement parts, service  
help, or other assistance, please call  
Distributor:  
Address:  
Email:

# Before you start

**⚠ WARNINGS**

- Read the instructions before using the appliance. Follow the steps in the order they are specified and please observe the safety warnings.
- Failure to observe these instructions can affect or damage the device and other objects and lead to personal injury.
- These instructions are part of the product. They should always be stored with the product and should be passed on to each subsequent user.
- Great care has been taken during production to remove sharp edges, but you should handle all components with care to avoid possible injury.
- If ever in doubt, consult a qualified gas engineer before use.
- As an extra precaution WHEN LIGHTING FOR THE FIRST TIME ALWAYS TAKE EXTRA CARE. Keep your head and arms from hanging over the BBQ cooking surface.
- ALWAYS make sure barbecue appliance is completely cool before applying covers.
- In construction of this BBQ use all and only the components provided. Do not modify BBQ or parts. Any modification of the appliance may be dangerous.

**DO NOT USE INDOORS  
USE OUTDOORS ONLY**

**⚠ CAUTION!**

- KEEP OUT OF REACH OF CHILDREN and PETS DURING and AFTER USE.
- Do not store or use petrol or other flammable vapor or liquids in the vicinity.
- This appliance will become very hot during operation - always wear suitably protective heat proof gloves during use.
- WARNING: Accessible parts may be very hot. Keep young children away.
- Turn off the gas supply at the gas cylinder after use.
- ALWAYS close and disconnect from main gas supply cylinder after use and for storage.
- DO NOT MOVE THE APPLIANCE DURING USE.

**⚠ DANGER!**

- If you smell gas:
1. Shut off gas supply to appliance.
  2. Extinguish any open flame, avoid using any electrical appliance.
  3. Open lid and ventilate the area.
  4. Check gas connections with soap solution.
  5. If odor still exists, immediately contact your gas supplier or fire department.

**✓ Do's**

KEEP THIS APPLIANCE CLEAN (follow instructions herein) - To help avoid fat flash fires/ flare ups and therefore possible injury or damage to property, it is vital that this appliance is clean before it is used.

Stand your barbecue on a safe, level surface, well away from flammable items such as wooden fences or over-hanging tree branches.

Protect from the elements and damp.

An adult should always be in charge of the BBQ. NEVER leave a hot barbecue unattended.

Always make sure the barbecue is fully extinguished and completely cool before moving, applying covers (not included) OR storing away.

**x Don'ts**

Do not use indoors - Use outdoors only.

CAUTION! NEVER STORE a barbecue indoors unless it is fully cooled and the gas supply cylinder is disconnected.

Do not use the BBQ on a surface that may be damaged by excessive heat.

This is a gas appliance. Do not use any other type of fuel/ accelerants or lava rock.

## Further information

### Proper use:

The barbecue is a gas barbecue for outdoor use. It is designed to be used exclusively in accordance with these instructions for preparing foods that are suitable for barbecue cooking. For private use only!

This appliance must be kept away from flammable materials during use.

Leak test all connections after each tank refilled or first use after a long period, by which the method is described in the "Connecting and disconnecting the gas bottle" part.

This barbecue should be thoroughly cleaned and inspected on a regular basis, clean and inspect the hose before each use of the appliance. If there is evidence of abrasion, wear, cuts or leaks, the hose must be replaced prior to the appliance being operated.

Use only factory authorized parts. The use of any part that is not factory authorized is dangerous.

When cooking, fire extinguishing materials shall be readily accessible. In the event of an oil grease fire, do not attempt to extinguish with water. Use type B or type C dry chemical fire extinguisher or smother with dirt, sand or baking soda. Operate on solid ground only, do not install or use on boats or recreational vehicles.

Always open barbecue lid carefully and slowly as heat and steam trapped within barbecue can severely burn you. Move gas hoses as far away as possible from hot surface and dripping hot grease.

Keep all electrical cords away from a hot barbecue.

Turn off the gas supply at the gas cylinder after use. When handling particularly hot components, protective gloves should be used.

### Improper use:

Any other application or applications extending beyond the stated purpose are not authorized. This applies in particular to misuse involving the following possible scenarios:

- Do not operate the barbecue with coal or any fuel other than LPG.
- Do not operate the main barbecue as a stove using pots and pans.
- Do not modify the appliance.
- Parts sealed by the manufacturer must not be altered by the user.
- Do not use the barbecue to heat materials and substances other than foods that are suitable for barbecuing.
- The barbecue has been manufactured according to the general engineering rules – that were valid at the time manufacturing was started – and the requirement of the CE-sign. It is certified and approved by INTERTEK Testing Services Ltd. (ITS) Test number CE-0359). The barbecue left the factory in good order and condition in terms of its function and safety.
- Never use an LP gas tank with damaged body, valve, collar, or footing.
- Do not store a spare LP gas tank under or near this appliance.
- The use of alcohol, prescription or non-prescription drugs may impair the ability to properly assemble or safely operate the appliance.

- Never use charcoal, lighter fluid, lava rocks, gasoline, kerosene, or alcohol within this product.
- Do not store or use gasoline or other flammable liquids or vapors within 25 feet (7.6m) from this appliance.
- Minimum clearance from sides and back of unit to combustible construction: 100cm. Do not use this appliance under overhead combustible surface.



CAUTION! HOT SURFACE AND PARTS

During operation some parts of the barbecue can become very hot, particularly those close to the fire bowl.

#### Possible consequences:

- Severe burns from touching parts near the fire bowl.
- Fire or smoldering fire if flammable materials or substances are near the barbecue.

#### Safety measures prior to using the barbecue:

- Select a place to set up the barbecue so that:
  - There are not, and will not be, flammable material or substances nearby. Minimum distance to material or substances: No overhead obstruction above and 1m to the side. Distance to highly flammable materials or substances, e.g. walk-in, 1m.
  - The barbecue is positioned firmly on a sufficiently large surface area. It must not be moved during operation.

#### Safety measures during barbecuing:

- Wear protective barbecue gloves.
- Never leave the hot barbecue unattended.
- TAKE PARTICULAR CARE TO ENSURE THAT CHILDREN AND PETS ARE KEPT AWAY FROM THE BARBECUE.
- Never fit the gas bottle tight to next to the barbecue. Always place the gas bottle at the left hand rear or of the appliance. The gas bottle should be sited as far away from the appliance as possible without straining the hose. No part of the hose should touch any part of the appliance.



CAUTION! GAS IS HIGHLY FLAMMABLE

Liquid gas is highly flammable and explosive.

#### Possible consequences:

- Serious personal injury or damage to property if escaping gas ignites in and environment in which it is not controlled.

#### Safety measures:

- Only use the barbecue outdoors and ensure that the area is well ventilated.
- Protect the gas bottle and the gas hose from direct sunlight and other heat sources (max. 50degrees C). Take special care to ensure that the gas hose does not touch any part of the hot barbecue.
- DO NOT place the gas bottle on the lower shelf, as it is too near the burner.

- DO NOT lean over the barbecue when igniting the gas flame.
- Close the valve on the gas bottle after each use. (Turn the valve clockwise). Also turn off the control knobs (Turn knob fully clockwise).

• Never leave the hot barbecue unattended. If the flame extinguishes, relight immediately or cut off the supply from the gas bottle.

- When connecting the gas bottle, ensure that there are no ignition sources within a 5m radius. Take special care not to light any naked flames, do not smoke or switch on electric appliances (devices, lights, doorbells) etc. sparkover possible.
- Before each use, check to ensure that all connections through which gas is supplied are sealed and intact.

• If necessary, ensure that you replace the hose to meet with national requirements. (Always use hose clips to secure the hose to the regulator and BBQ).

If the connections for the gas supply are porous or faulty, the barbecue must not be used. This also applies, for example, to hoses or fittings that may have become blocked, as this can lead to a dangerous flashback.



CAUTION! GAS DISPLACES OXYGEN

Liquid gas is heavier than oxygen. Therefore it settles on the ground and displaces the oxygen at that level.

#### Possible consequences:

- Suffocation resulting from a lack of oxygen if the gas concentration is allowed to rise sufficiently.

Do not use the barbecue unless it's completely assembled and all parts are securely fastened and tightened.

Do not leave a lit barbecue unattended, especially keep children and pets away from barbecue at all times.

Do not move the appliance during use.

Never cover the entire cooking area.

Never obstruct the ventilation openings of the cylinder compartment.

Do not use power tools to construct this product.

Do not over tighten screws or bolts.

Do not sit or stand on the product.

Do not use this product if parts are missing, damaged or worn.

Never use scourers, abrasive or chemical cleaners.

## Assembly

Please read these instructions carefully before assembly and use.

**Caution:** Whilst every effort has been made in manufacture of your barbecue to remove any sharp edge, you should handle all components with care to avoid accidental injury.

Please use protective gloves when assembling this product.

Assembly of the barbecue involves many large components; it is advisable to have two people assemble the unit.

When you are ready to start, make sure that you have the right tools, plenty of space and a clean, dry area for assembly.

To avoid losing any small component or hardware, assemble your product on a hard level surface that does not have cracks or openings.

To avoid damage to soft floor or carpet, do not assemble or move the appliance on soft floor or carpet.

Check the pack and make sure you have all the parts listed.

Please refer to the parts list and assembly diagram as necessary. During assembly children should be kept away from the product due to possible risk of injury.

Make sure all the plastic protection rip off before assembling.

Follow all steps in order to properly assemble your product.

Do not force parts together as this can result in personal injury or damage to the product.

When applicable, tighten all hardware connections by hand first, once the step is completed, go back and fully tighten all hardware.

Ensure that this product is fully assembled as illustrated before use.

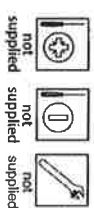
### Number of people required to assemble

Two people to assemble and lift.

### Time to assemble

 30 minutes

### Tools required



# Connecting and disconnecting the gas bottle

## Parts and tools needed

- Gas bottle - Standard LPG gas bottle with equal or less than 5kg to 15kg (LPG (e.g. propane or butane)). These are available at DIY store or liquid gas suppliers.
- The following parts are excluded in delivery. They correspond to the standards applicable in the country to which they have been supplied.

- Gas hose - CE approved hose of sufficient length, allowing installation without any kinks (Length shall not exceed 1.5m). The tube shall be readily visible across its entire length for inspection after installation.
- Pressure reducer - Preset and CE-approved pressure Regulator, operating pressure suitable for the utilized gas cylinder. This type of pressure reducer is also available from your local dealer.
- Gas regulator should be approved according to EN 16129 with proper capacity (g/h), pressure, working temperature and inlet + outlet connection for the country of destination.

## DANGER! IGNITION OF ESCAPING GAS



Liquid gas is highly flammable and explosive.

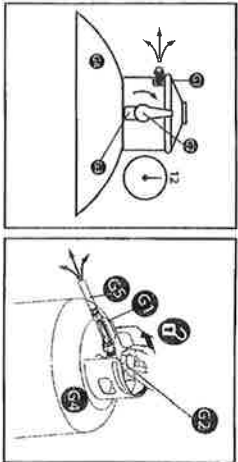
- Possible consequences:
  - Serious personal injury or damage to property if escaping gas ignites in and environment in which it is not controlled

## Safety measures:

- When connecting the gas bottle, ensure that there are no ignition sources within a 5m radius.
- Take special care not to light any naked flames, do not smoke or switch on electric appliances (devices, lights, door-bells), etc (sparkover possible).
- If necessary, ensure that you replace the hose to meet with national requirements.
- Ensure the flexible tubing is routed so that there are no kinks and it is not subject to twisting.
- Do not obstruct the ventilation openings of the cylinder compartment.

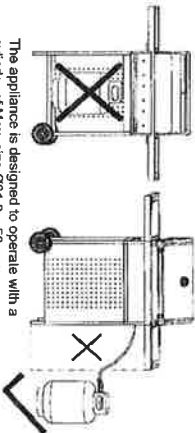
## Operational Elements:

G1	Regulator	Reduce gas pressure
G2	Operating lever/ Cylinder valve	Secure safety safety with 2 settings: Turn the set off and for operation Turn the set off and for operation 12 o'clock setting or return and clockwise to the end G4a, 90°
G3	Release button	Disconnect the regulator from the bottle valve
G4	Gas hose with bottle valve	Heil container
G5	Gas hose with hose dip	Direct gas to burner



# Connecting and disconnecting the gas bottle

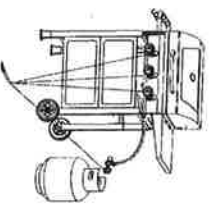
- 1 Select a suitable position to set up the barbecue. Ensure that:
  - They are not, and will not be, flammable materials or substances nearby. Minimum distance to materials or substances: 1m above and 1m to the side; distance to flammable materials or substances - min 7.6m.
- 2 Position the gas bottle G4 next to the barbecue. Never lay the gas bottle on its side or place on the lower shelf. The gas hose G5 must not be bent or be under tension.



The appliance is designed to operate with a cylinder of Max. size Ø31.8 x 58 cm.

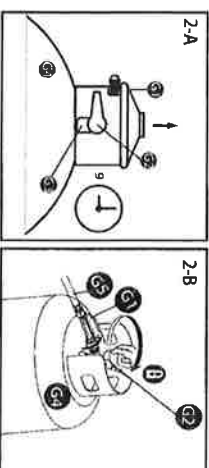
3. Check that the gas bottle G4 and the regulator G1 are in good working order. Also check that there is an intact seal in the regulator G1. Do not use any other seals.
4. Turn the operating lever G2 to the 9 o'clock position and press the regulator G1 on the valve of the gas bottle G4 until you hear a click.
5. Check they are correctly connected by pulling the regulator G1 upwards. The regulator must not disconnect from the bottle valve.
6. Check the connection between the regulator G1 and the gas hose G5 and the gas hose G5 to the valve to ensure they are secure.
7. Open the bottle's valve by turning the operating lever G2 to the 12 o'clock position. Use a standard leak detector to ensure all connections are tight. Failure to do so may result in fire. Please observe the instructions for the leak indicator. Never check for leaks if there is an open flame. Listening for leaks is not a reliable method of detection.

Confirm all barbecue control knobs are in the off "A" position. Open the gas control valve on gas cylinder. Check for leaks by brushing soap solution over all gas system joints, including all valve connections, hose connections and regulator connections. NEVER USE AN OPEN FLAME to test for leaks at any time. If bubbles form out of any of the tank there is a leak. If the connection is not sealed, immediately close the bottle valve (turn the operating lever G2 to the 9 o'clock position) and tighten the connection or replace the leaking part. Repeat the leak test annually, and whenever the gas cylinder is repaired or replenished.



## Shutting off the gas bottle (Fig.2-A, 2-B)

1. Close the bottle valve (turn the operating lever G2 to the 9 o'clock position).
2. Press the release button G3 and pull the regulator G1 upwards. Or anti-clockwise rotate the nut on regulator G1 to release the regulator G1.
3. Store the regulator G1 with the gas hose under the barbecue. Ensure the hose is not kinked or twisted in any way.
4. Store the gas bottle correctly:
  - Fit the gas bottle valve with cap nut and safety cap.
  - Do not store the gas bottle in areas below ground level, or in or near stairways, hallways or passages for pedestrians or cars between buildings. Always store gas bottle outside.
  - Always store gas bottles upright, even if they are empty!



# Operation

## Warnings

Before proceeding, make certain that you have assembled the appliance according to instructions.

Use your Barbecue at least 100cm away from any wall or surface. Never use your gas barbecue in a building, garage, shed, breezeway, or any other enclosed area.

Never obstruct the flow of ventilation air around your gas barbecue housing.

## Before lighting

Inspect the gas supply hose prior to turning the gas "ON". If there is evidence of cuts, wear or abrasion, it must be replaced prior to use. Check leakage before use. Do not use the barbecue if the odor of gas is present.

## Preparation before cooking

To prevent foods from sticking to the cooking grill, please use a long handled brush to apply a light coat of cooking or vegetable oil before each barbecuing session. (Note: When cooking for the first time, coating color may change slightly as a result, this is normal and should be expected.)

## Lighting the barbecue:

1. Read the instructions before using the appliance.
2. Open lid during lighting.
3. Ensure knobs are in "●" position.
4. Connect regulator with cylinder, then turn on.
5. Push and turn middle control knob anti-clockwise to approx 1/4 position until a click is heard and middle burner is lit.
6. When the middle burner is lit, push and turn the control knob of side burner to approx 1/4 position until the side burner is lit.
7. Adjust the flame between 1/4 to 1/2 areas.
8. If ignition does not occur within 5 seconds, turn control knob(s) to "●". Wait 5 minutes to allow gas to dissipate and repeat lighting procedure.
9. Turn off the gas supply at the gas cylinder after use.

## Match-lighting

If the burner still fails to light after several attempts, try the manual ignition procedure below.

1. Open BBQ hood.
2. Ensure all the burners control knobs are in the "●" position.
3. Slowly turn on the gas at the LP gas cylinder valve or regulator if it is not already on.
4. Place a match in the Match Holder
5. Use the holder to slide the lit match through the cooking grates or cooking gridle and the front of the heat tent to the left of the middle burner.
6. Press and turn the middle burner control knob to 1/4 position.
7. If the middle burner does not light within 5 seconds, turn the middle burner control knob to "●", wait 5 minutes for gas to clear, and try again.
8. When the middle burner is lit, push and turn the control knob of side burner to approx 1/4 position until the side burner is lit.
9. When lit, turn the control knob to the desired heat setting.

## End of cooking session

After each cooking session, turn the barbecue control knob burners to the "Max" position and burn for 5 minutes. This procedure will burn off cooking residue, thus making cleaning easier. Make sure the hood is open during this process. When you have finished using your barbecue, turn all the control valves fully clockwise to the OFF "●" position, then switch off the gas at the bottle. Wait until the barbecue is sufficiently cool before closing its hood.

## Tips for better cookouts and longer barbecue life

1. Use the upper cooking grid (warming rack) for keeping cooked food warm, toasting breads or cooking delicate foods in aluminum foil pouches.
2. Use the side burner of this appliance like a normal kitchen range for boiling, sautéing or frying.
3. To reduce flare-up, keep barbecue clean, use lean cuts of meat and avoid cooking on very high temperature.
4. Place delicate foods like fish and vegetables in aluminum foil pouches and indirect cook or place on upper cooking levels (warming rack).
5. To avoid losing natural juice, use long handled tongs or spatulas instead of forks and turn foods over just once during cooking.
6. When direct cooking adjust your burners to different levels so foods can be prepared to different internal temperatures in the same time frame.
7. Try water pans to reduce flare-ups and cook juicier meats. Before starting barbecue remove cooking grids and place a heavy duty shallow pan directly on heat plates, fill half way with water, fruit juices or other flavored liquids. Replace cooking grids and position food over the loaded pan.
8. Rotisseries, grill baskets, vertical poultry holders and other accessories can enhance your experiences, reduce cooking time and aid in clean-up.
9. Clean cooking grids and racks after every use with a quality grill brush designed for your grid material. Wear protective gloves and gently remove the built-up while grids are hot.
10. After every use, allow barbecue to cool down. Then protect clean cooking grids with a light coat of cooking oil, empty grease pan, wipe outside surfaces with a suitable kitchen cleaner and protect surfaces with a quality cover that properly fits your barbecue.

# Cleaning and maintenance

Regularly clean your barbecue between uses and especially after extended periods of storage.

Ensure the barbecue and its components are sufficiently cool before cleaning.

Never douse the barbecue with water when its surfaces are hot. Never handle hot parts with unprotected hands.

In order to extend the life and maintain the condition of your barbecue, we strongly recommend that the unit be covered when left outside for any length of time, especially during the winter months.

### 1. Cooking Grill

Clean with hot soapy water. To remove any food residue, use a mild cream cleaner on a non-abrasive pad. Rinse well and dry thoroughly.

### 2. Burner Maintenance

In normal usage, burning off the residue after cooking will keep the burner clean. The burner should be removed and cleaned annually, or whenever heavy build-up is found, to ensure that there are no signs of blockage (debris, insects) in either the burner portholes or the venturi tubes. Use a pipe cleaner to clear obstructions. A wire brush can be used to remove corrosion from the burner surfaces. When refitting the burner, be careful to check that the venturi tubes of the burner fit over the valve outlets.

The electrode on the burner can be bent or may snap off during cleaning.

Possible consequences:

- Burner no longer light.

Safety measures:

- Take special care when cleaning the area around the burner



3. Barbecue Body

Regularly remove excess grease or fat from the barbecue body with a soft plastic or wooden scraper.

It is not necessary to remove all the grease from the body, if you need to clean fully, use hot soapy water and a cloth, or nylon-bristled brush only. Remove cooking surfaces and burners before full cleaning. Do not immerse the gas controls or manifold in water. Check burner operation after carefully refitting into body.

### 4. Fixings

Annual checking and tightening of metal fixings is recommended.

### 5. Storage

Store your barbecue in a cool dry place. Cover the burners with aluminum foil in order to prevent insects or other debris from collecting in burner holes. If the barbecue is to be stored indoors, the gas cylinder must be disconnected and left outside. The gas cylinder should always be stored outside, in a dry, well-ventilated area, away from any sources of heat or ignition. Do not let children near the gas cylinder.

Environment information and disposal measures

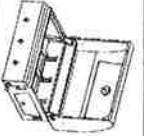









- To dispose of the barbecue, disassemble it into its individual parts. Recycle the metal and plastic parts.

# Troubleshooting











PROBLEM	POSSIBLE CAUSE	PREVENTION/CURE
Burner will not light using igniter	Wires or Electrode covered with cooking residue Electrode and burners are wet Electrode cracked or broken – sparks at crack Wire loose or disconnected Wire 15 shorting (Sparking between igniter and electrode)	Clean wire and/or electrode with rubbing alcohol Wipe dry with cloth Replace electrode Reconnect wire or replace electrode/wire assembly Replace igniter wire/electrode assembly
Burner will not light with match	No gas flow Coupling nut and regulator not fully connected Obstruction of gas flow Spider webs or insect nest in venturi Burner ports clogged or blocked	Check if LP gas cylinder is empty. If empty, replace or refill, or else refer to "sudden drop in gas flow or reduced flame height" Turning the coupling nut about one-half to three quarters additional turn until solid stop. Tighten by hand only. Do not use tools. Clean burner tubes, check for bent or kinked hose. Clean venturi Clean burner ports
Sudden drop in gas flow or reduced flame height	Out of gas Excess flow, safety device may have been activated	Replace or refill LP gas cylinder Turn control knobs to OFF "O", wait 30 seconds and light barbecue. If flames are still too low, reset the excessive flow safety device by turning control knobs OFF "O", and LP gas cylinder valve to "CLOSED". Disconnect regulator. Turn control knobs to "HIGH", wait 1 minute. Then turn control knobs to OFF "O", and reconnect regulator and leak check connections. Slowly turn LP gas cylinder valve to "OPEN", wait 30 seconds and then light barbecue per lighting instructions.
Irregular flame pattern, flame does not run the full length or burner	Burner ports are clogged or blocked	Clean burner ports.
Flame is yellow or orange	New burner may have residual manufacturing oils Spider webs or insect nest in venturi Food residue, grease or seasoning salt on burner Poor alignment of valve to injector venturi High or gusting winds Low on LP Gas	Burn barbecue for 15 minutes with the lid closed Clean venturi Clean burner Assure burner venturi is properly engaged with injector Do not use barbecue in high winds Replace or refill LP gas cylinder
Flame blow out	Excess flow valve tripped	Relignite the BBQ
Persistent grease fire	Grease trapped by food buildup around burner system	Turn control knobs to OFF "O", Turn LP gas tank valve to "CLOSED". Leave lid in open position and let fire burn out. After barbecue cools, remove and clean all parts
Flashback fire in burner tubes(s)	Burner and/or burner tubes are blocked	Clean burner and/or burner tubes
Inside of lid is peeling (like paint peeling)	The lid is stainless steel, not painted	Baked on grease buildup has turned to carbon and is flaking off. Clean thoroughly.

# Fixtures and Fittings








Components supplied (not actual size)

Ref	Description	Visual	Qty
1	Main grill body assembly		1
2	Warning rack		1
3	Cooking grate		2
4	Side table		1
5	Side table support assembly A		1
6	Side table support assembly B		1
7	Control knob		3
8	Grease cup hanger		1
9	Grease cup		1
10	Rear horizontal bar		1

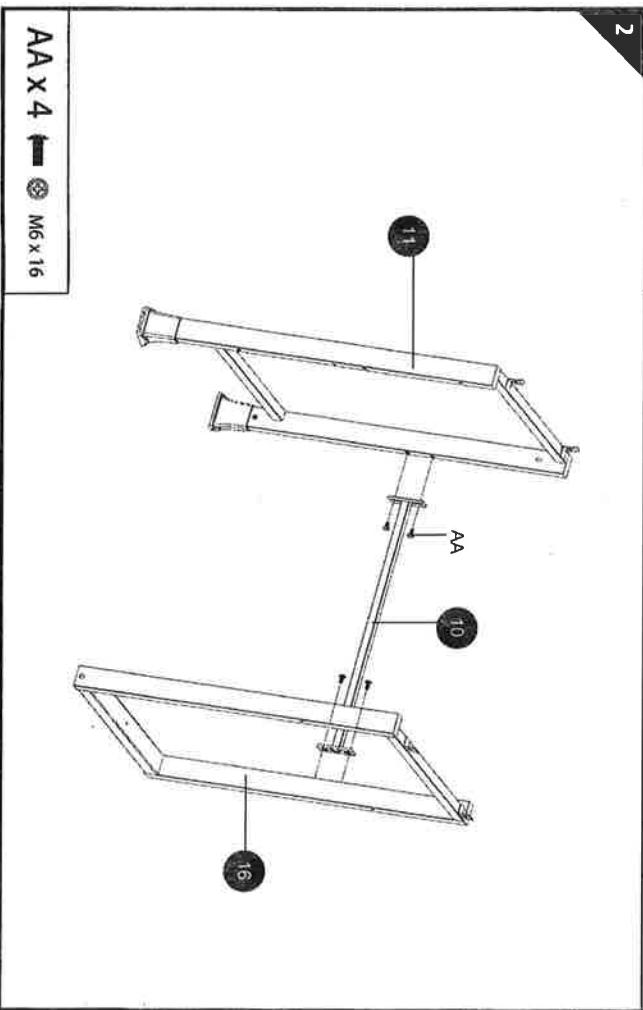
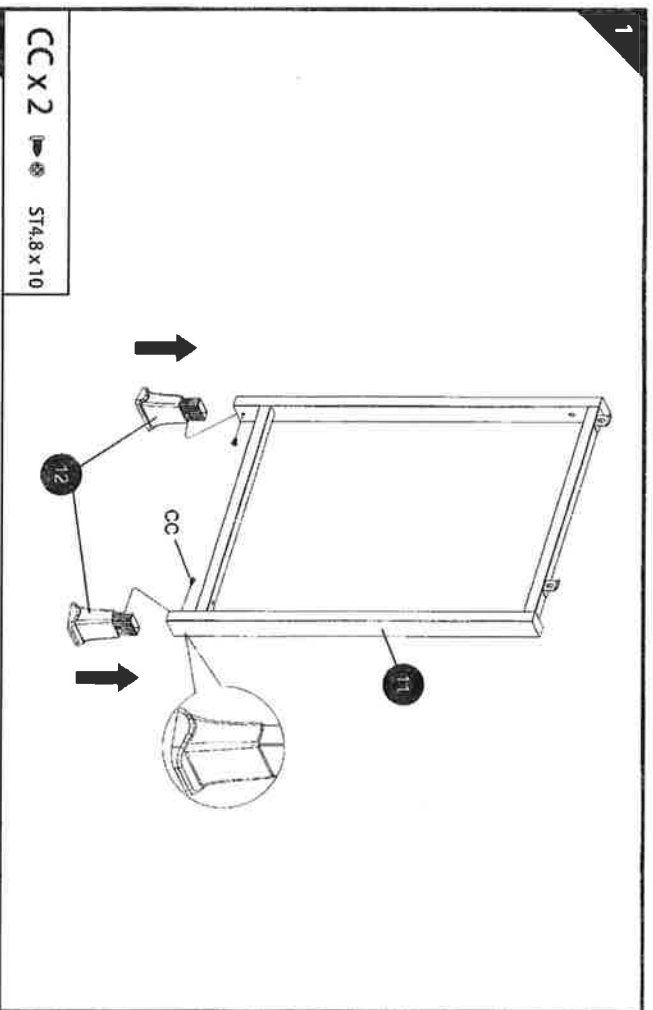
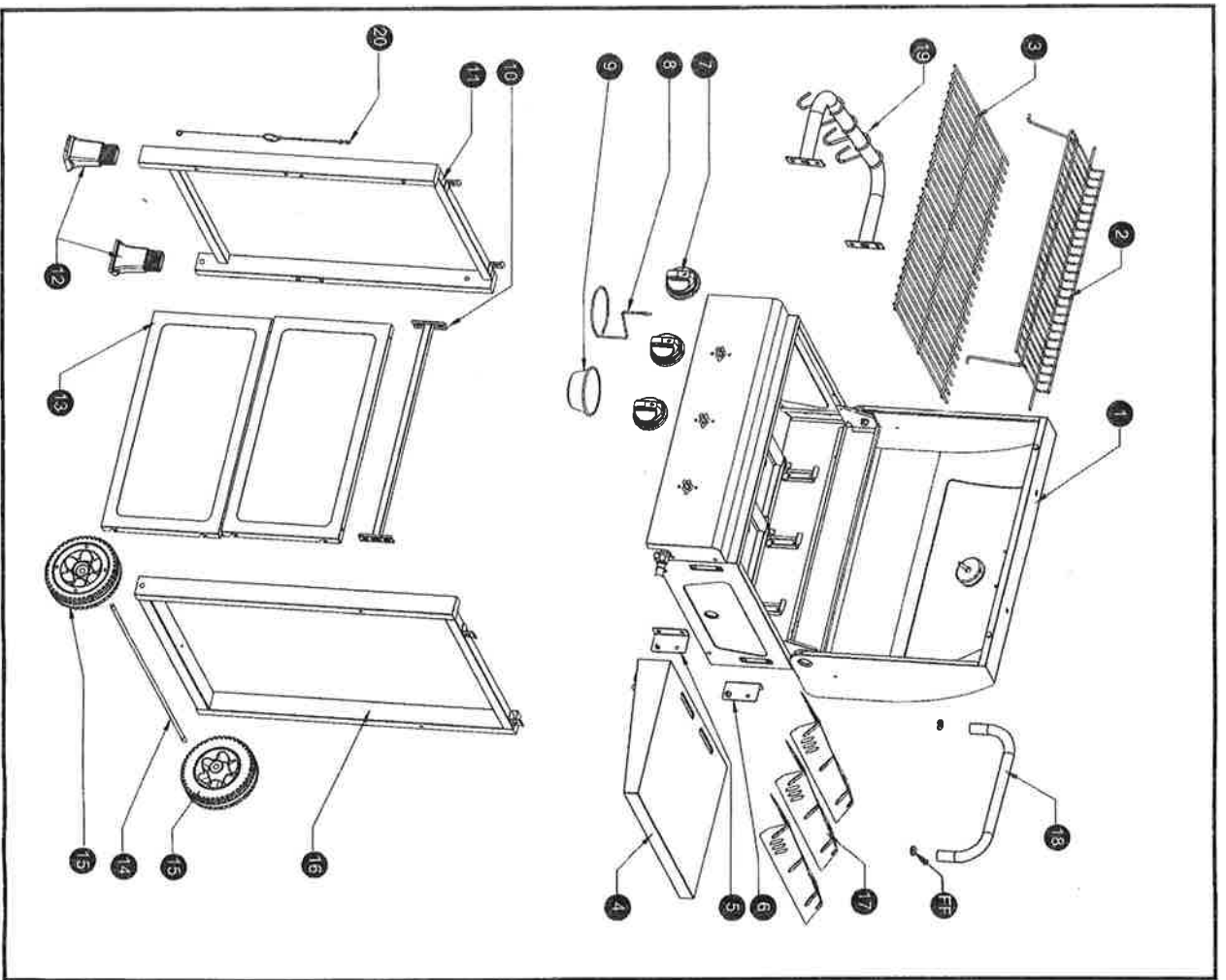
Components supplied (not actual size)

Ref	Description	Visual	Qty
11	Cart left panel		1
12	Leg stand		2
13	Cart front panel		2
14	Wheel axle		1
15	Wheel		2
16	Cart right panel		1
17	Flame tamer		3
18	Lid handle		1
19	Handle with hooks		1
20	Match lighter		1

Fittings supplied (not actual size)

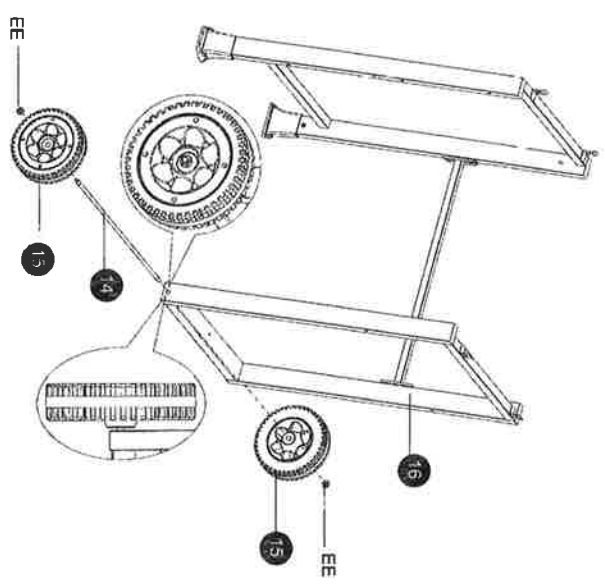
Ref	Dimensions	Visual	Qty
AA	M6 x 16		17
BB	M5 x 15		8
CC	ST4.8 x 10		2
DD	M5		2
EE	M8		2
FF			2
GG	M6		1

# Assembly instructions



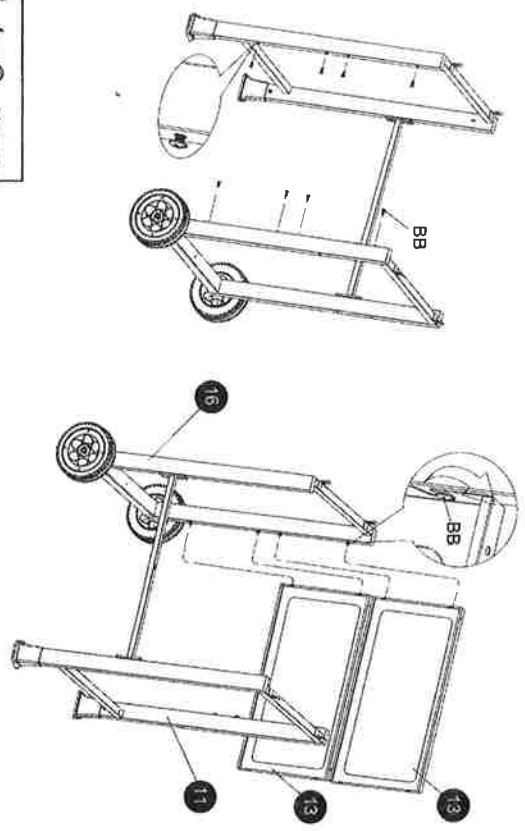
# Assembly instructions

3



EE X 2 M8

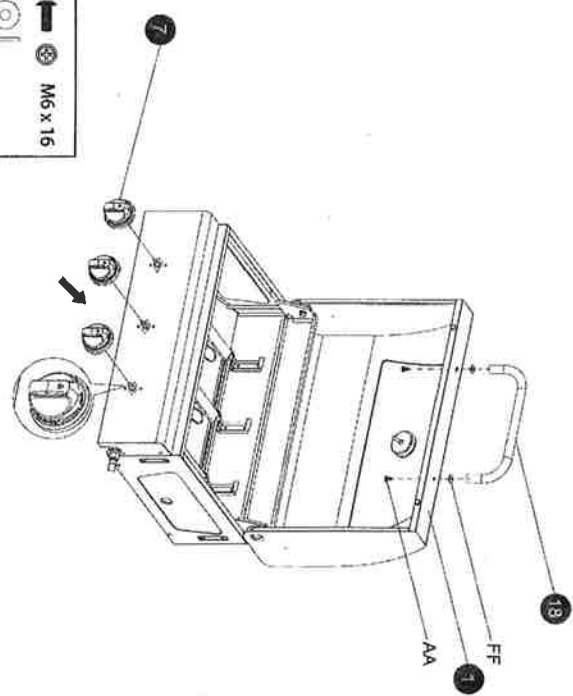
4



BB X 8 M5 X 15

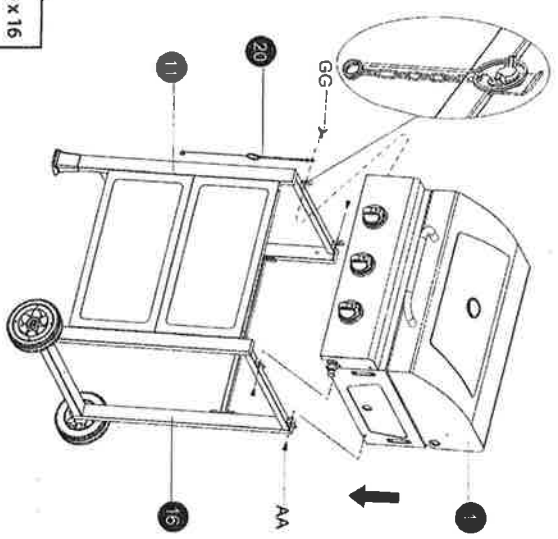
# Assembly instructions

5



AA X 2 M6 X 16  
FF X 2

6

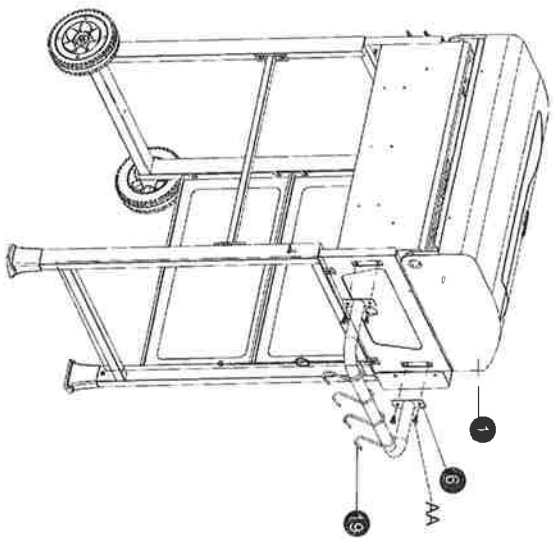


AA X 3 M5 X 16  
GG X 1 M6



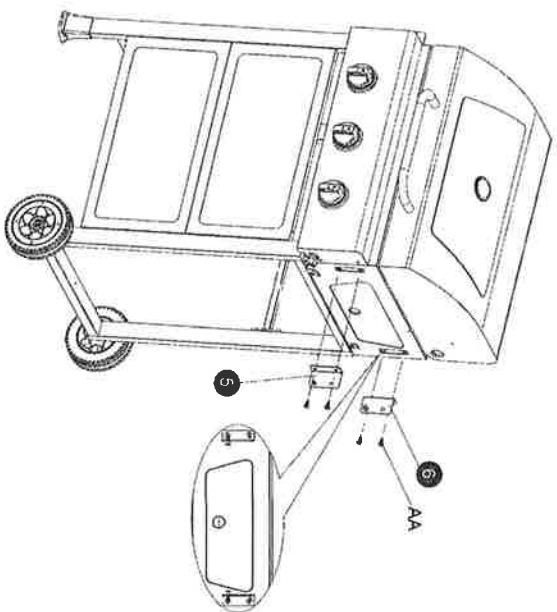
# Assembly instructions

7



AA X 4  M6 x 16

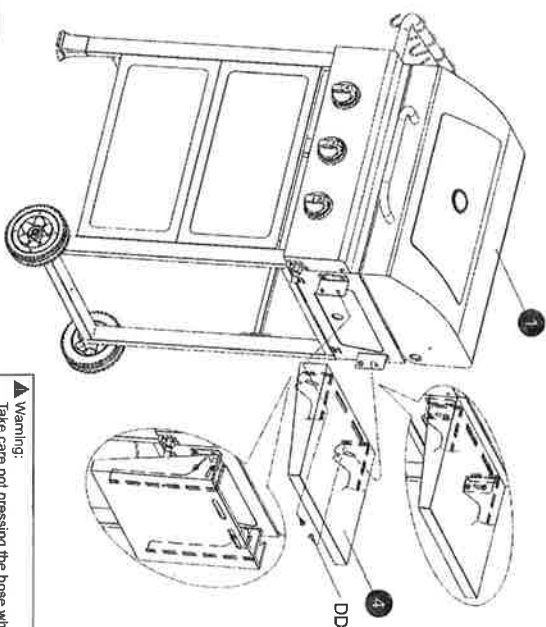
8



AA X 4  M6 x 16

16

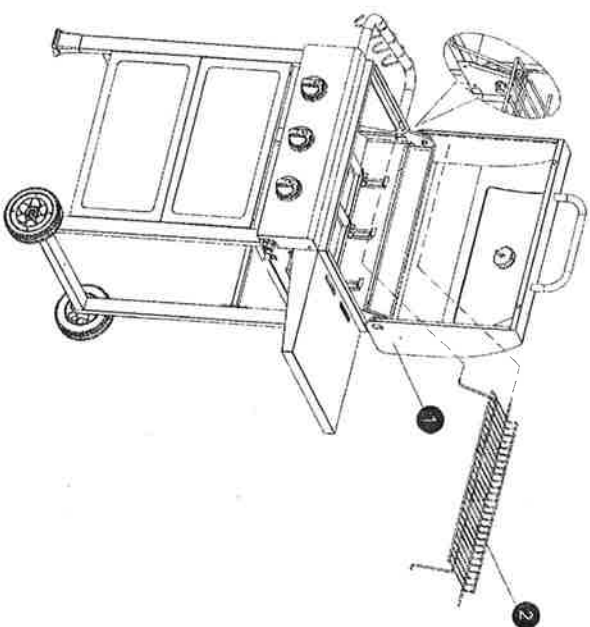
9



DD X 2  M5

**Warning:**  
Take care not pressing the hose when folding the right side table.

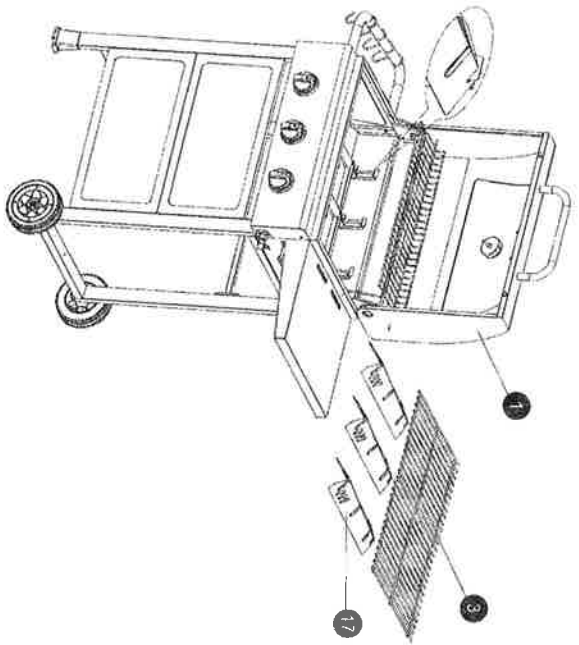
10



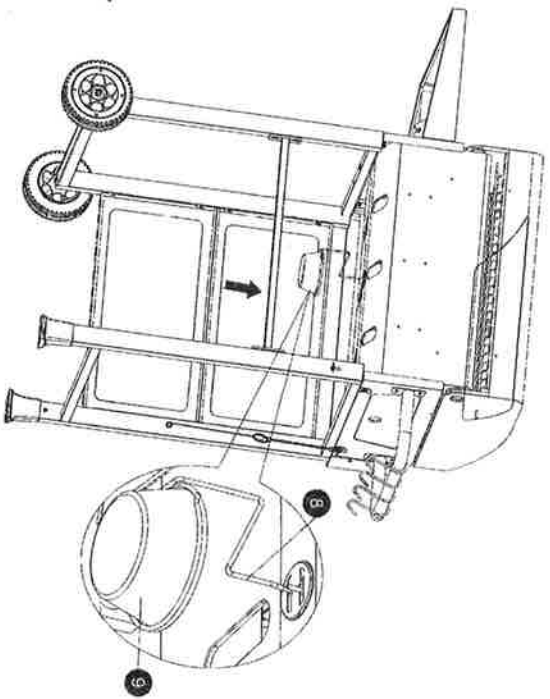
17

# Assembly instructions

11



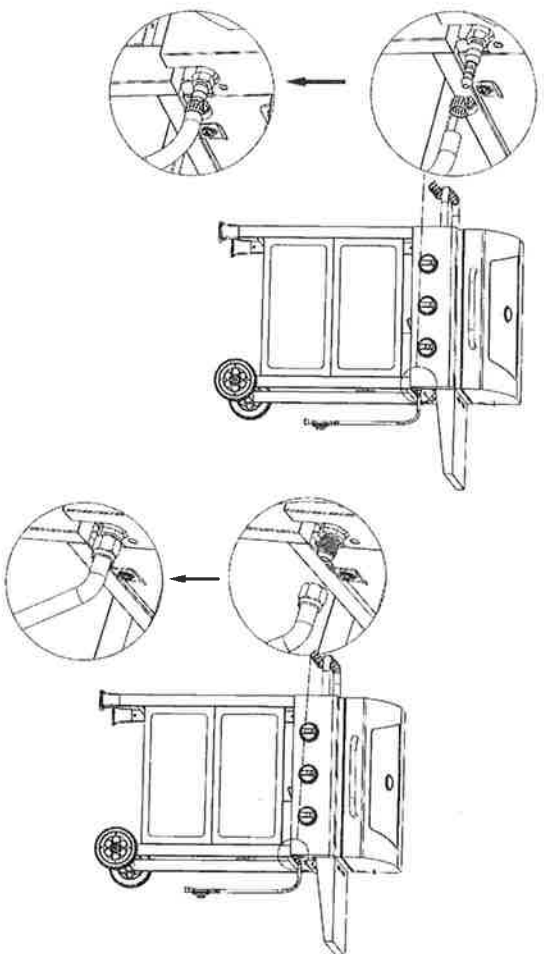
12



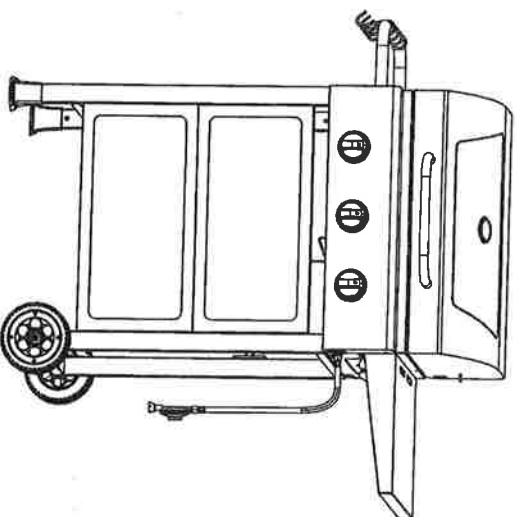
18

# Assembly instructions

13



14



19