



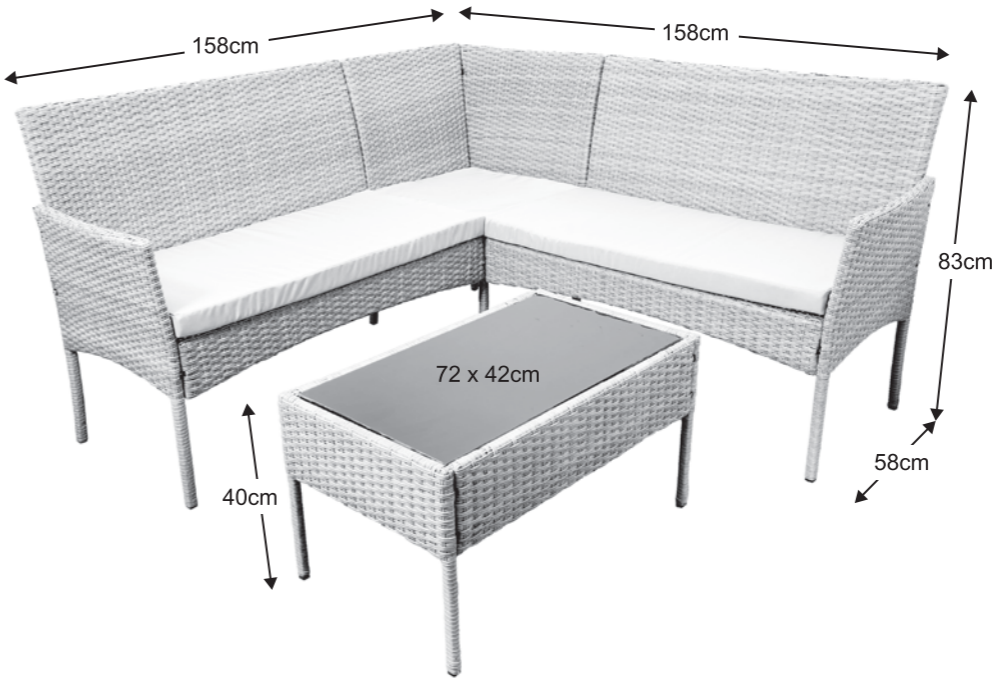
OGALAS ULC  
 UNIT 4 PARKWAY HOUSE  
 BALLYMOUNT DRIVE  
 DUBLIN, D12 ECR9  
**MADE IN CHINA**

Domestic Use Only

p 12


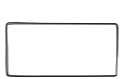

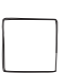
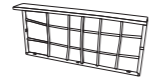

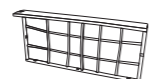

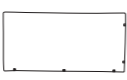


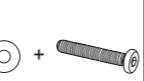


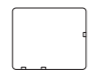
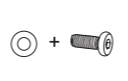






**INSTRUCTION MANUAL**  
**MODENA 4 PIECE RATTAN**  
**CORNER SOFA SET**  
**PLU-165938**



**IMPORTANT NOTE:** Ensure that all screws are tightened before use.  
 Check and tighten all screws periodically throughout use of product.

## PARTS LIST

LABEL	DESCRIPTION	PICTURE ILLUSTRATION	QTY	LABEL	DESCRIPTION	PICTURE ILLUSTRATION	QTY
A	SOFA ARMREST WITH LEG (RIGHT)		1	K	SOFA SEAT LONG CUSHION		2
B	SOFA ARMREST WITH LEG (LEFT)		1	L	CORNER SOFA SEAT SQUARE CUSHION		1
C	SOFA SEAT (RIGHT)		1	M	COFFEE TABLE SIDE PANEL WITH LEG		2
D	SOFA SEAT (LEFT)		1	N	COFFEE TABLE SIDE PANEL		2
E	SOFA BACK (RIGHT)		1	O	TEMPERED GLASS TOP		1
F	SOFA BACK (LEFT)		1	P	M6/35MM HEX SCREW & FLAT WASHER		29
G	CORNER SOFA BACK WITH LEG (RIGHT)		1	Q	M6/60MM HEX SCREW & FLAT WASHER		1
H	CORNER SOFA BACK (LEFT)		1	R	M6/15MM HEX SCREW & FLAT WASHER		8
I	CORNER SOFA SEAT		1	S	SOFA SECTION CONNECTOR		4
J	CORNER SOFA LEG (LEFT)		1	T	ALLEN KEY		1

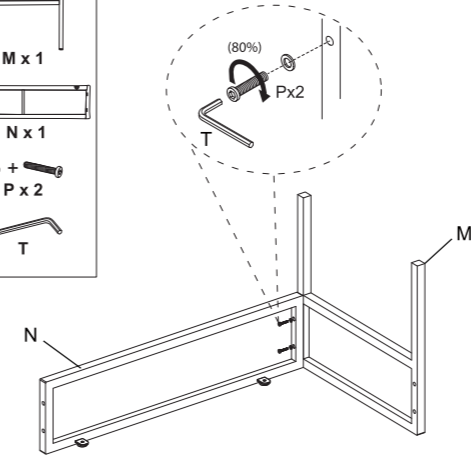
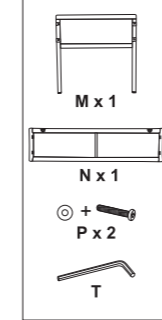
p 2

## Step 15

PARTS AND TOOLS



2 Adults

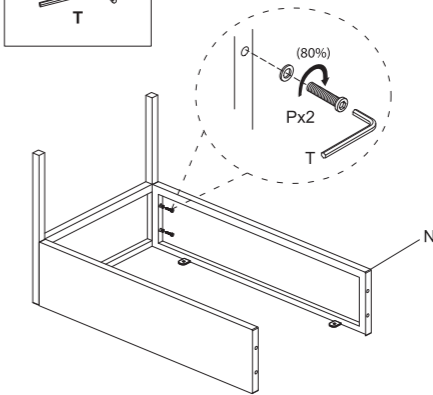
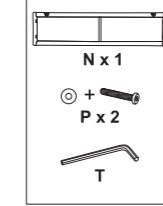


## Step 16

PARTS AND TOOLS



2 Adults

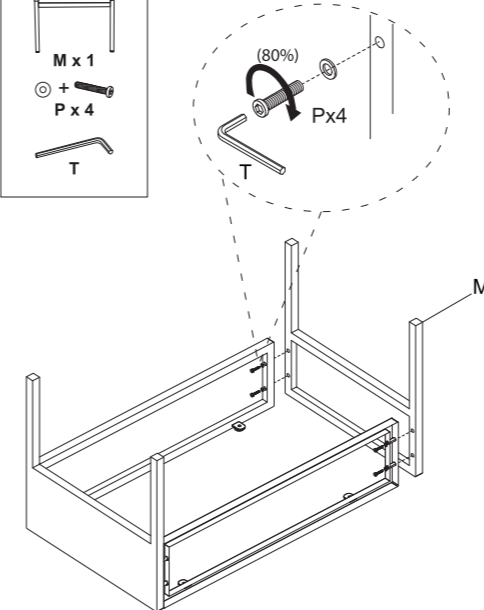
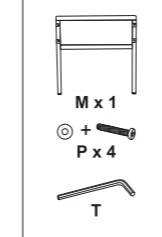


## Step 17

PARTS AND TOOLS



2 Adults

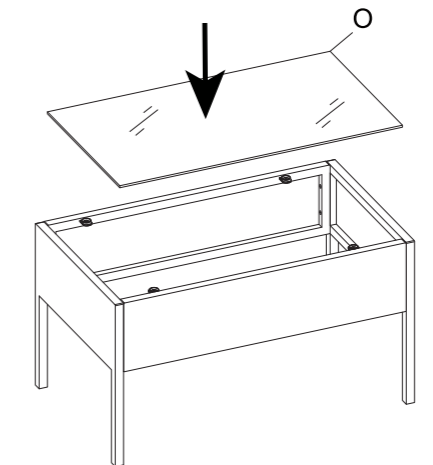
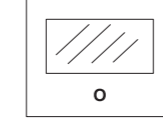


## Step 18

PARTS AND TOOLS



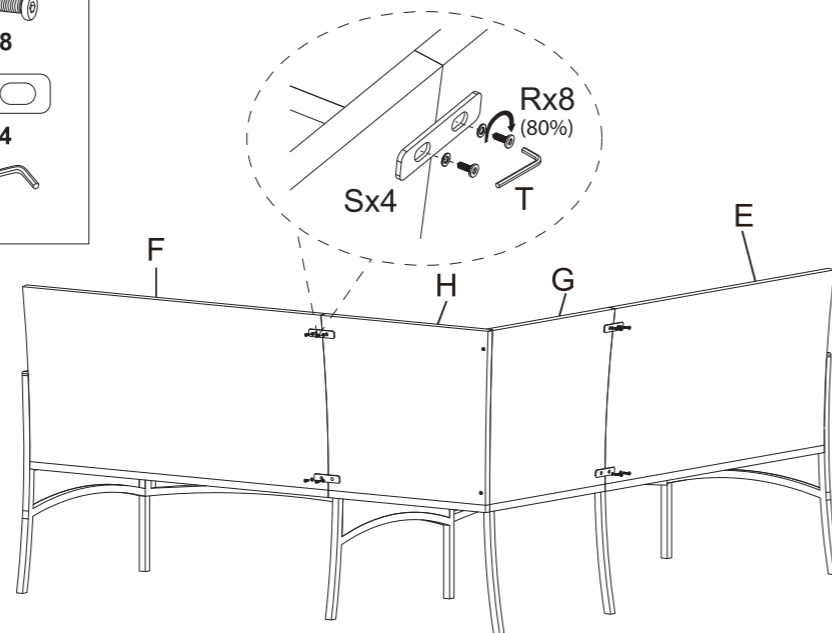
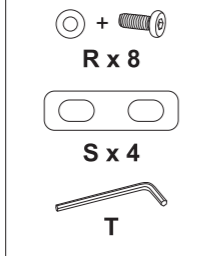
2 Adults



p 11

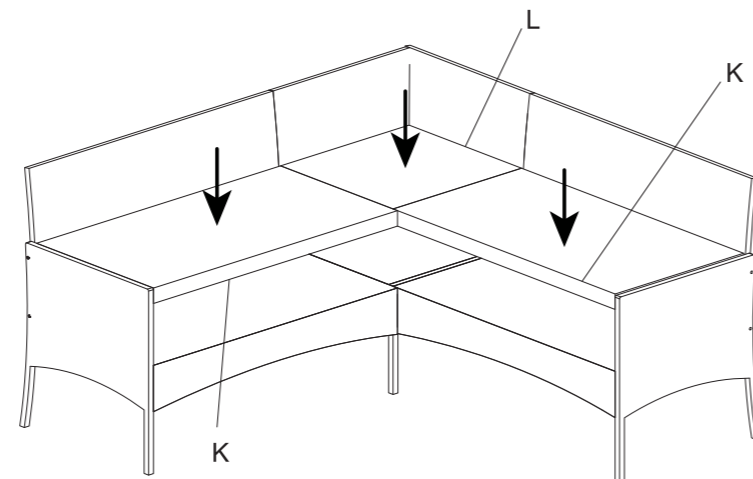
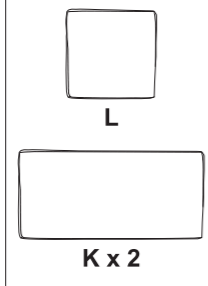
### Step 13

#### PARTS AND TOOLS



### Step 14

#### PARTS AND TOOLS



p 10



#### SAFETY ADVICE AND CARE ADVICE

KEEP ALL THE SAFETY ADVICE AND INSTRUCTIONS IN A SAFE PLACE FOR FUTURE REFERENCE!

#### ⚠ WARNING! RISK OF LOSS OF LIFE OR ACCIDENT TO INFANTS AND CHILDREN!

Never leave children unsupervised with the packaging materials. Danger of suffocation.

#### ⚠ CAUTION! RISK OF INJURY!

Make sure that all parts are undamaged and assembled correctly. Improper assembly carries a risk of injury. Damaged parts may affect the safety and function of the product.

- Do not use in adverse weather conditions (especially high winds).
- This table is not intended to support a parasol. Please use a separate parasol stand.
- Always remove any parasol when moving the table during windy conditions, and when the table is not in use.
- Do not climb or jump on this product.
- Keep away from fire and inflammable objects.
- Periodically ensure all the fixings are secure.
- After use the product for a period of time, please check on the product every time before use.
- Please take care when placing any heavy items on the table.
- Use this product on a flat, solid and even surface.

#### ■ Maintenance / Care:

- Damp wipe only and dry naturally.
- Cover up or store away your furniture when not in use to protect it from the elements.
- To keep your product in good condition, we do not recommend leaving this product outdoor when not in use.

#### ■ Maximum Weight:

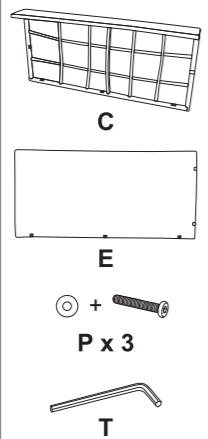
120KGS PER SEAT

p 3

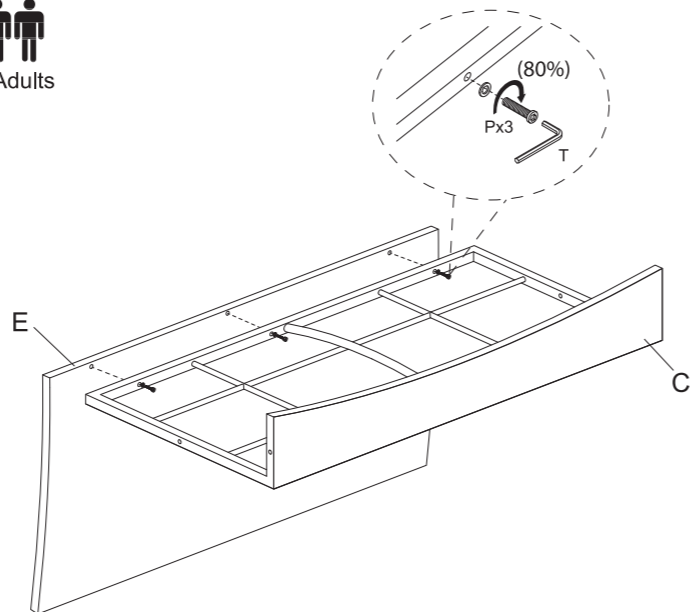
### Step 1

TIPS: Allow the screws only 80% tightened initially, then 100% tightened at the final stage.

#### PARTS AND TOOLS

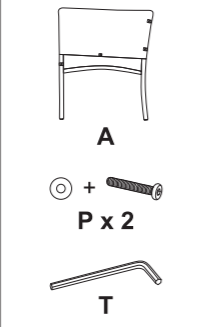


2 Adults

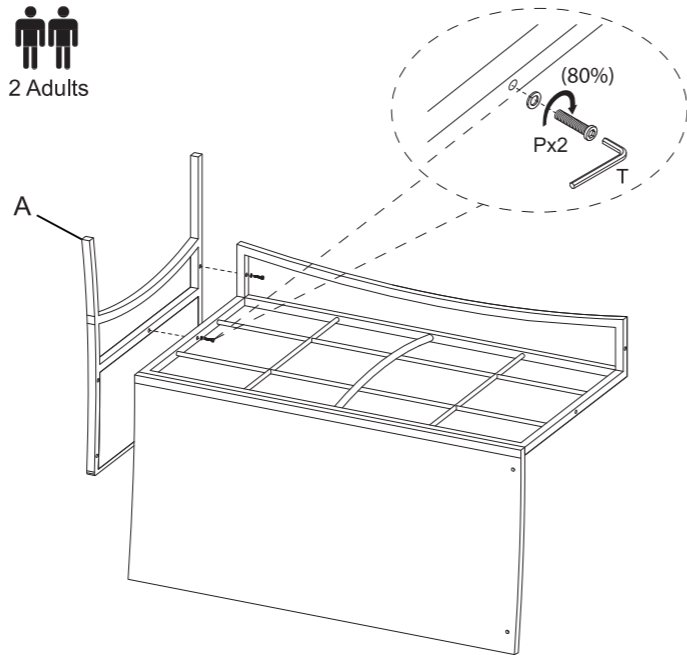


### Step 2

#### PARTS AND TOOLS



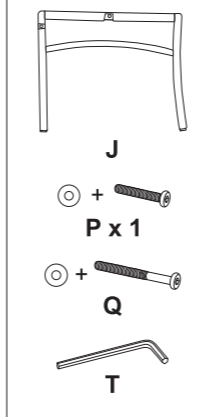
2 Adults



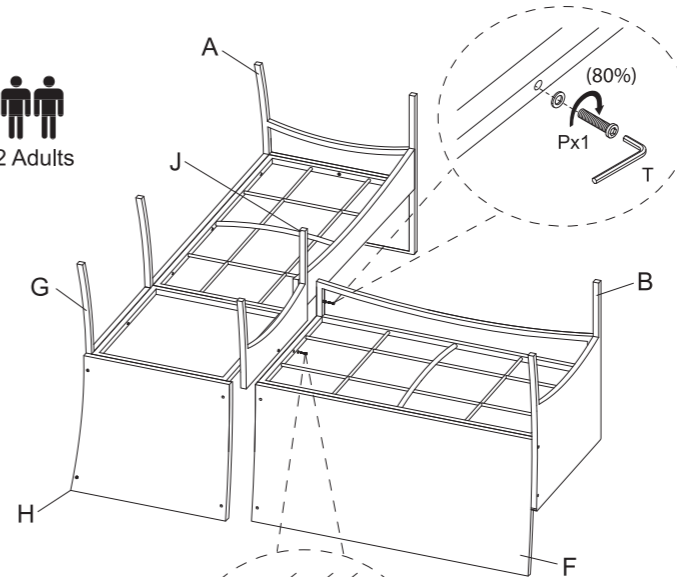
p 4

### Step 11

#### PARTS AND TOOLS

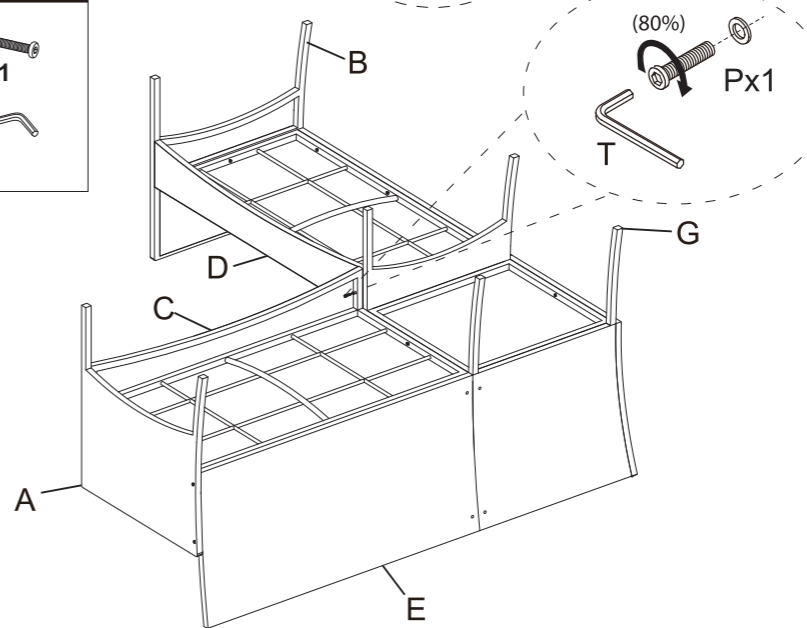
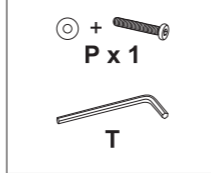


2 Adults



### Step 12

#### PARTS AND TOOLS



p 9

### Step 9

#### PARTS AND TOOLS



B



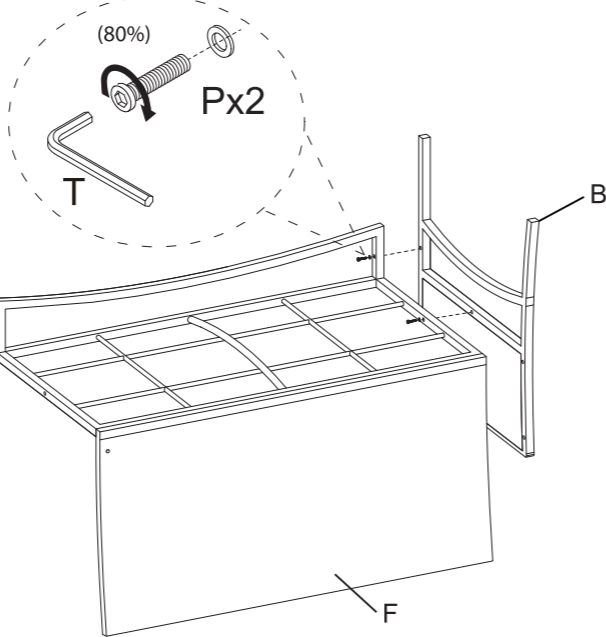
P x 2



T



2 Adults



### Step 10

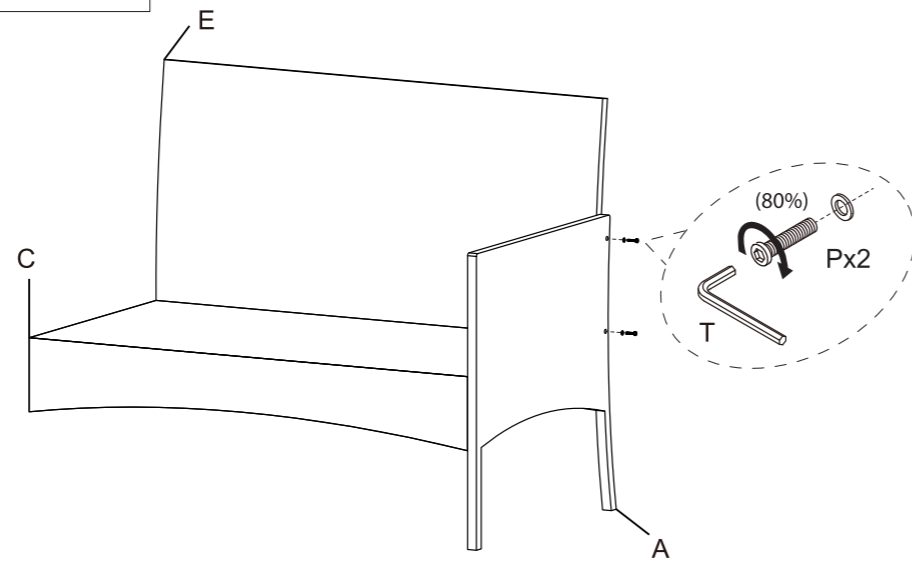
#### PARTS AND TOOLS



P x 2



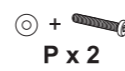
T



p 8

### Step 3

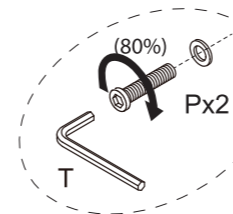
#### PARTS AND TOOLS



P x 2



T



### Step 4

#### PARTS AND TOOLS



G



I



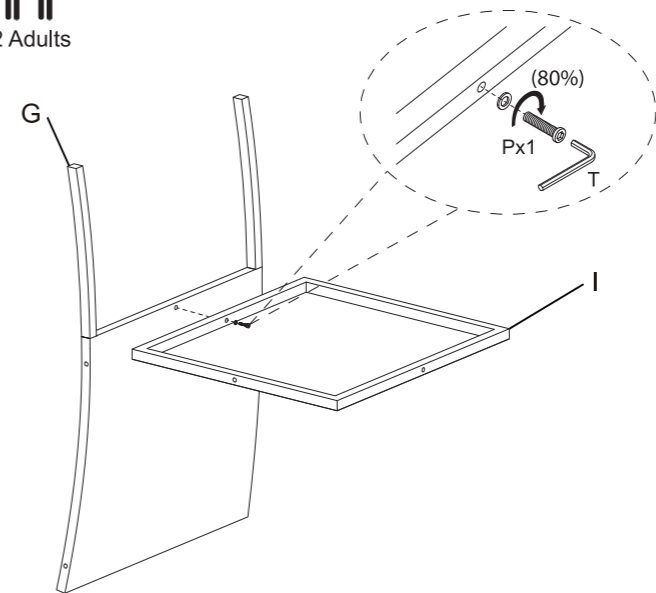
P x 1



T



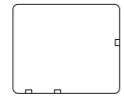
2 Adults



p 5

### Step 5

#### PARTS AND TOOLS



H



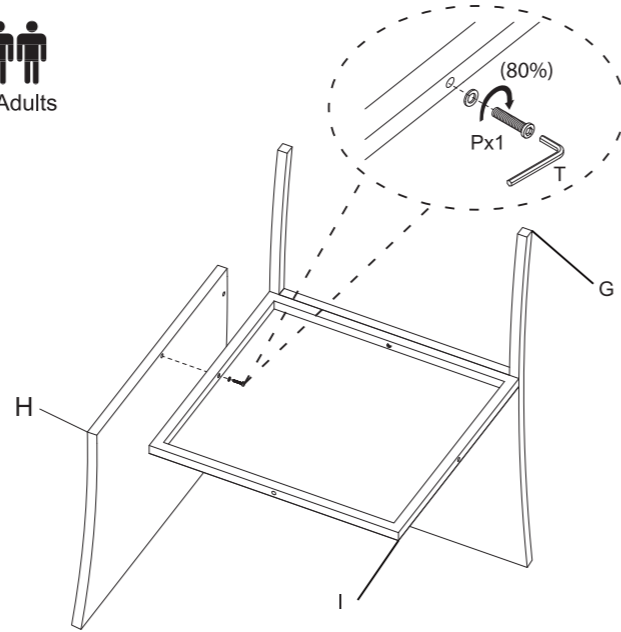
P x 1



T

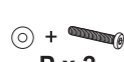


2 Adults



### Step 6

#### PARTS AND TOOLS



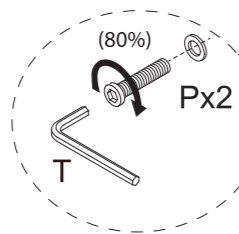
P x 2



T

H

G



p 6

### Step 7

#### PARTS AND TOOLS



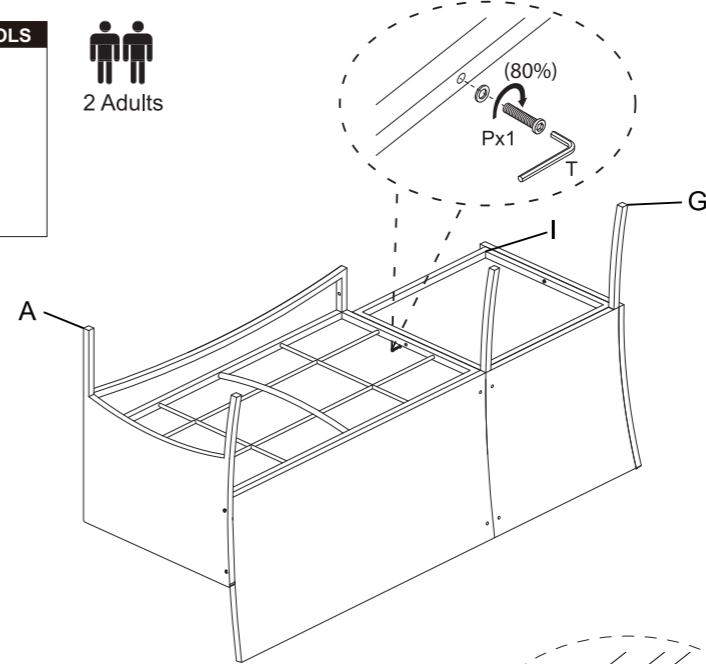
P x 1



T

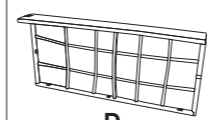


2 Adults



### Step 8

#### PARTS AND TOOLS



D



F x 1



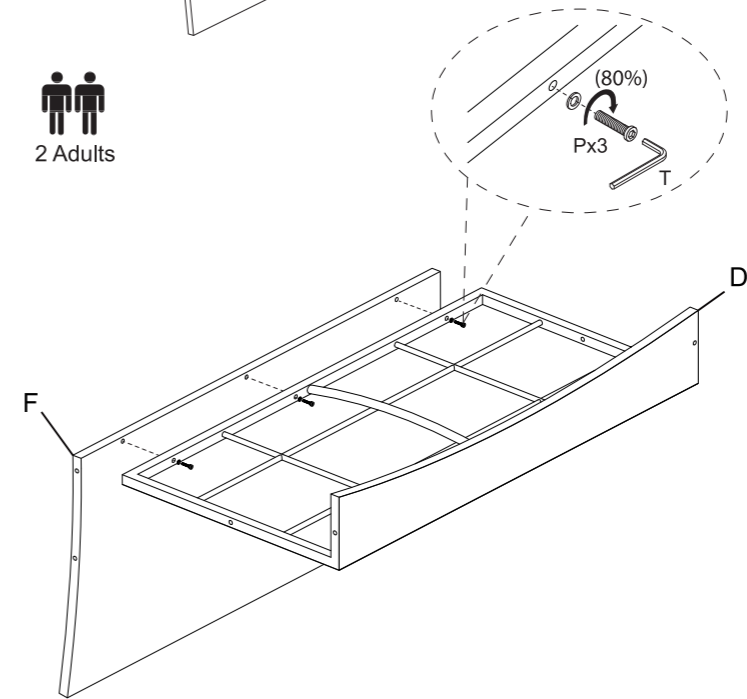
P x 3



T



2 Adults



p 7