



OGALAS ULC
 UNIT 4 PARKWAY HOUSE
 BALLYMOUNT DRIVE
 DUBLIN, D12 ECR9
MADE IN CHINA

Domestic Use Only

p 8



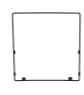



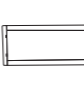

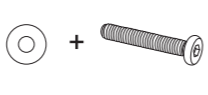



INSTRUCTION MANUAL
MODENA 3 PIECE
RATTAN BISTRO SET
 PLU-165937



IMPORTANT NOTE: Ensure that all screws are tightened before use.
 Check and tighten all screws periodically throughout use of product.

PARTS LIST

LABEL	DESCRIPTION	PICTURE ILLUSTRATION	QTY
A	CHAIR ARMREST WITH LEG (RIGHT)		2
B	CHAIR ARMREST WITH LEG (LEFT)		2
C	CHAIR BACK		2
D	CHAIR SEAT		2
E	SEAT CUSHION		2
F	END TABLE SIDE PANEL WITH LEG		2
G	END TABLE SIDE PANEL		2
H	TEMPERED GLASS TOP		1
I	M6/35MM HEX SCREW & FLAT WASHER		28
J	ALLEN KEY		1

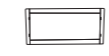
p 2

Step 7

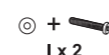
PARTS AND TOOLS



F x 1



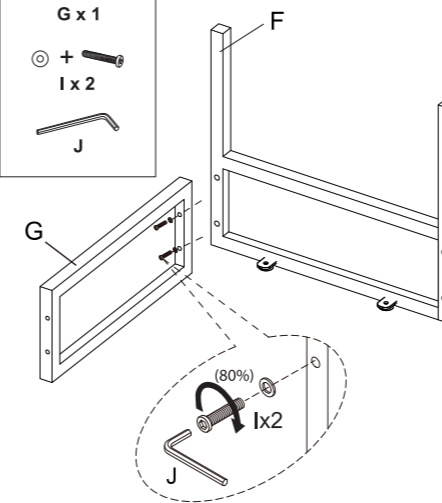
G x 1



I x 2



J

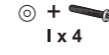


Step 9

PARTS AND TOOLS



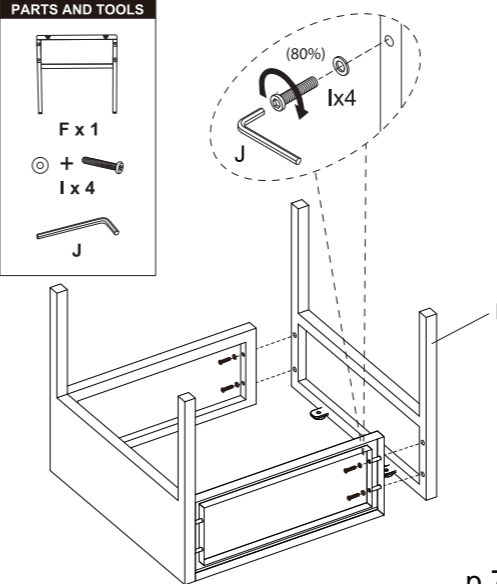
F x 1



I x 4



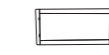
J



p 7

Step 8

PARTS AND TOOLS



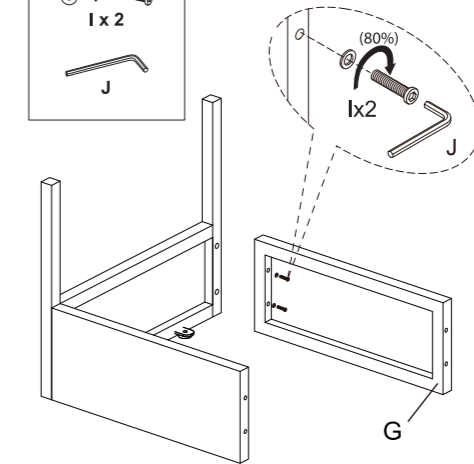
G x 1



I x 2



J

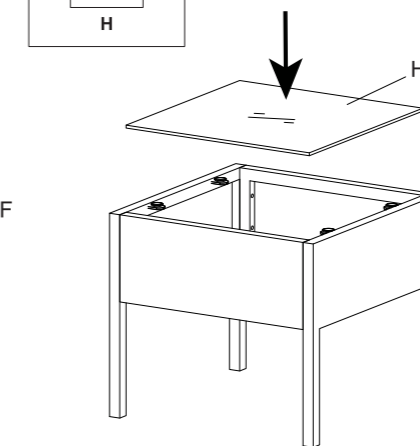


Step 10

PARTS AND TOOLS

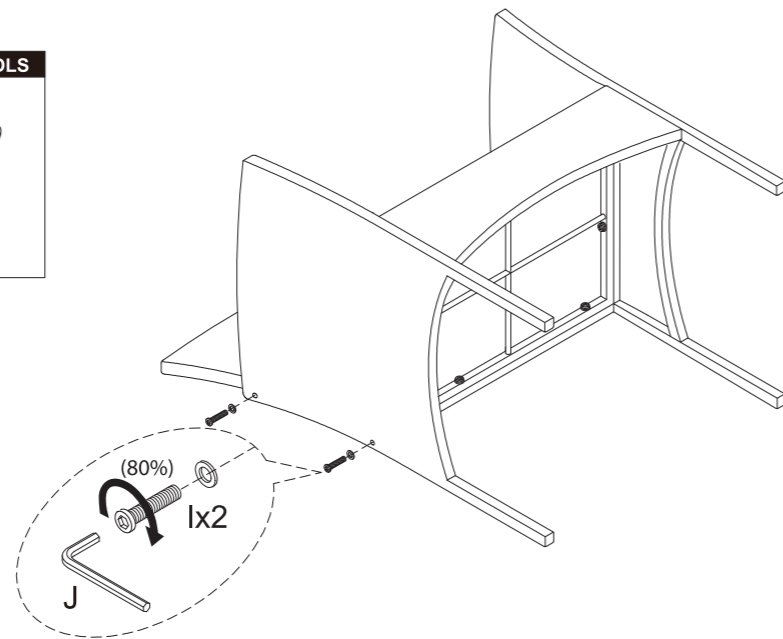
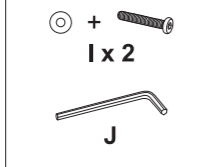


H



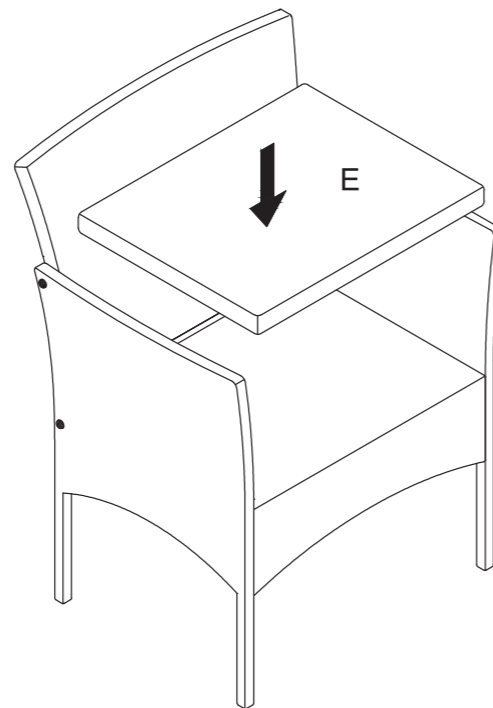
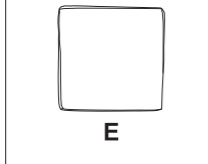
Step 5

PARTS AND TOOLS



Step 6

PARTS AND TOOLS



p 6



SAFETY ADVICE AND CARE ADVICE

KEEP ALL THE SAFETY ADVICE AND INSTRUCTIONS IN A SAFE PLACE FOR FUTURE REFERENCE!



WARNING! RISK OF LOSS OF LIFE OR ACCIDENT TO INFANTS AND CHILDREN!

Never leave children unsupervised with the packaging materials. Danger of suffocation.



CAUTION! RISK OF INJURY!

Make sure that all parts are undamaged and assembled correctly. Improper assembly carries a risk of injury. Damaged parts may affect the safety and function of the product.

- Do not use in adverse weather conditions (especially high winds).
- This table is not intended to support a parasol. Please use a separate parasol stand.
- Always remove any parasol when moving the table during windy conditions, and when the table is not in use.
- Do not climb or jump on this product.
- Keep away from fire and inflammable objects.
- Periodically ensure all the fixings are secure.
- After use the product for a period of time, please check on the product every time before use.
- Please take care when placing any heavy items on the table.
- Use this product on a flat, solid and even surface.

■ **Maintenance / Care:**

- Damp wipe only and dry naturally.
- Cover up or store away your furniture when not in use to protect it from the elements.
- To keep your product in good condition, we do not recommend leaving this product outdoor when not in use.

■ **Maximum Weight:**

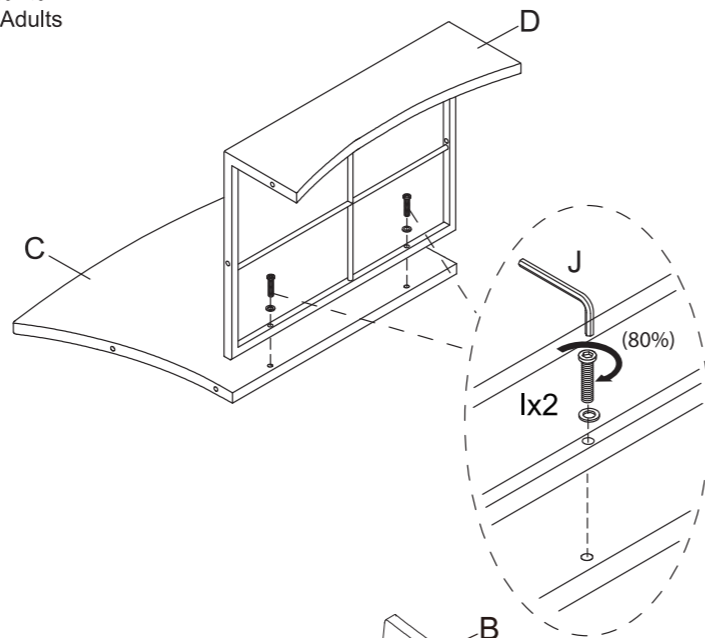
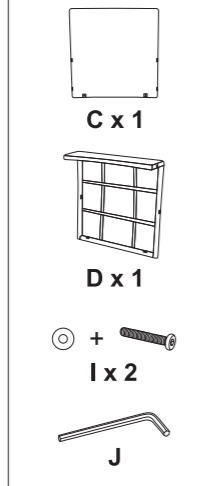
120KGS PER CHAIR

p 3

Step 1

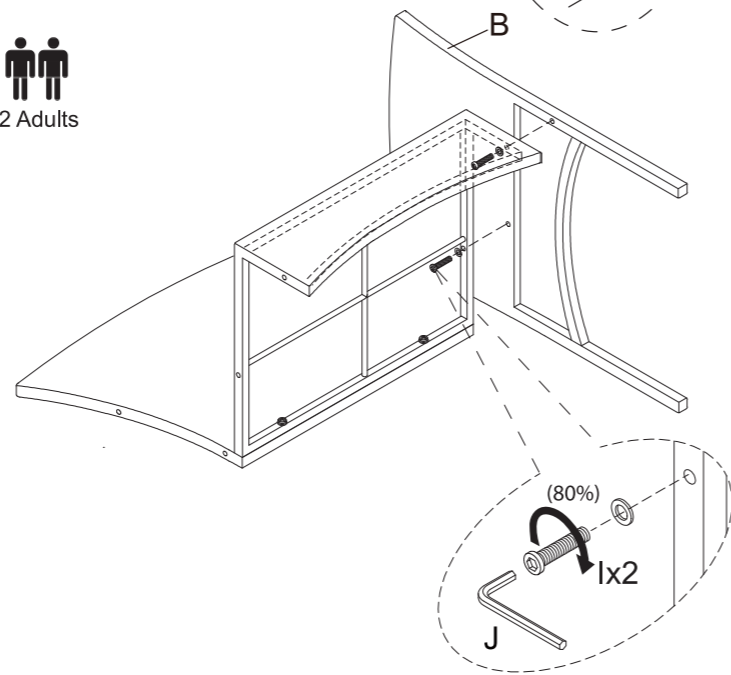
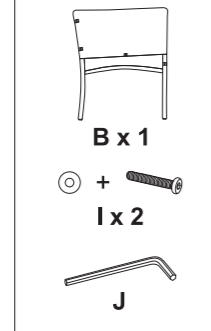
TIPS: Allow the screws only 80% tightened initially, then 100% tightened at the final stage.

PARTS AND TOOLS



Step 2

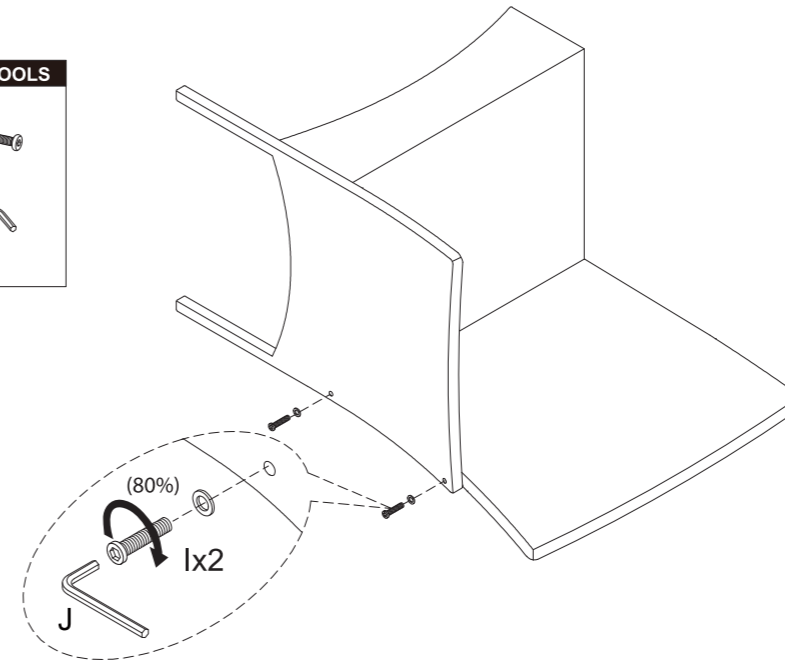
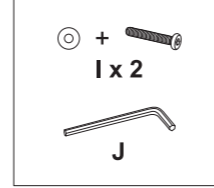
PARTS AND TOOLS



p 4

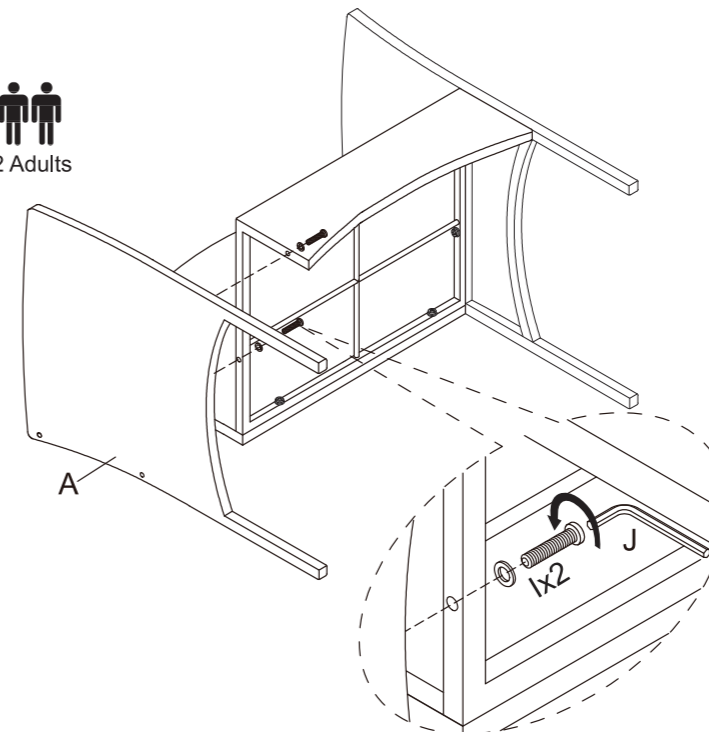
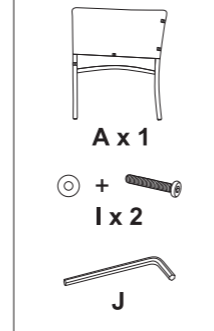
Step 3

PARTS AND TOOLS



Step 4

PARTS AND TOOLS



p 5