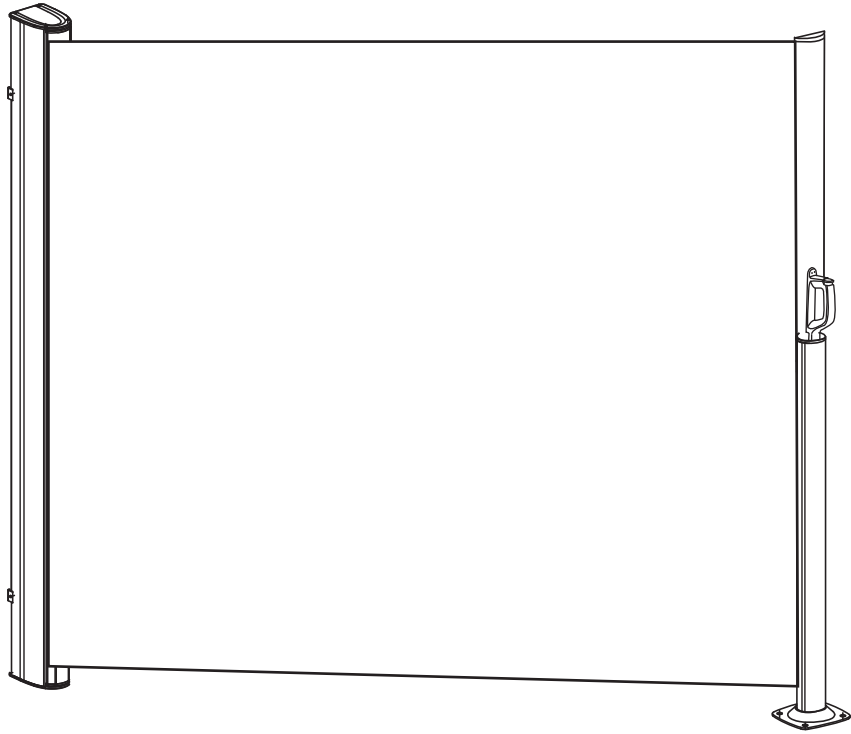
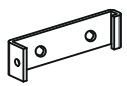

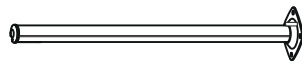
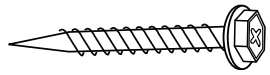







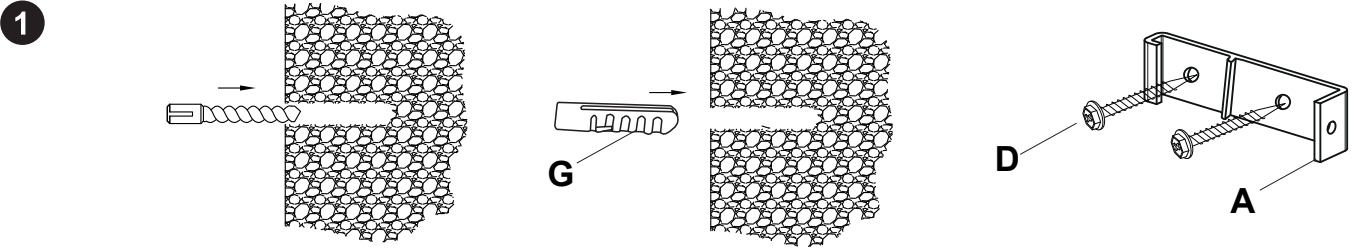
# ASSEMBLY INSTRUCTIONS



PARTS LIST		
CODE	PARTS	QTY.
<b>A</b>		2PCS
<b>B</b>		1PC
<b>C</b>		1PC

HARDWARE LIST		
CODE	PARTS	QTY.
<b>D</b>		4PCS
<b>E</b>		4PCS
<b>F</b>		1PC
<b>G</b>		4PCS
<b>G1</b>		4PCS
<b>H</b>		2PCS

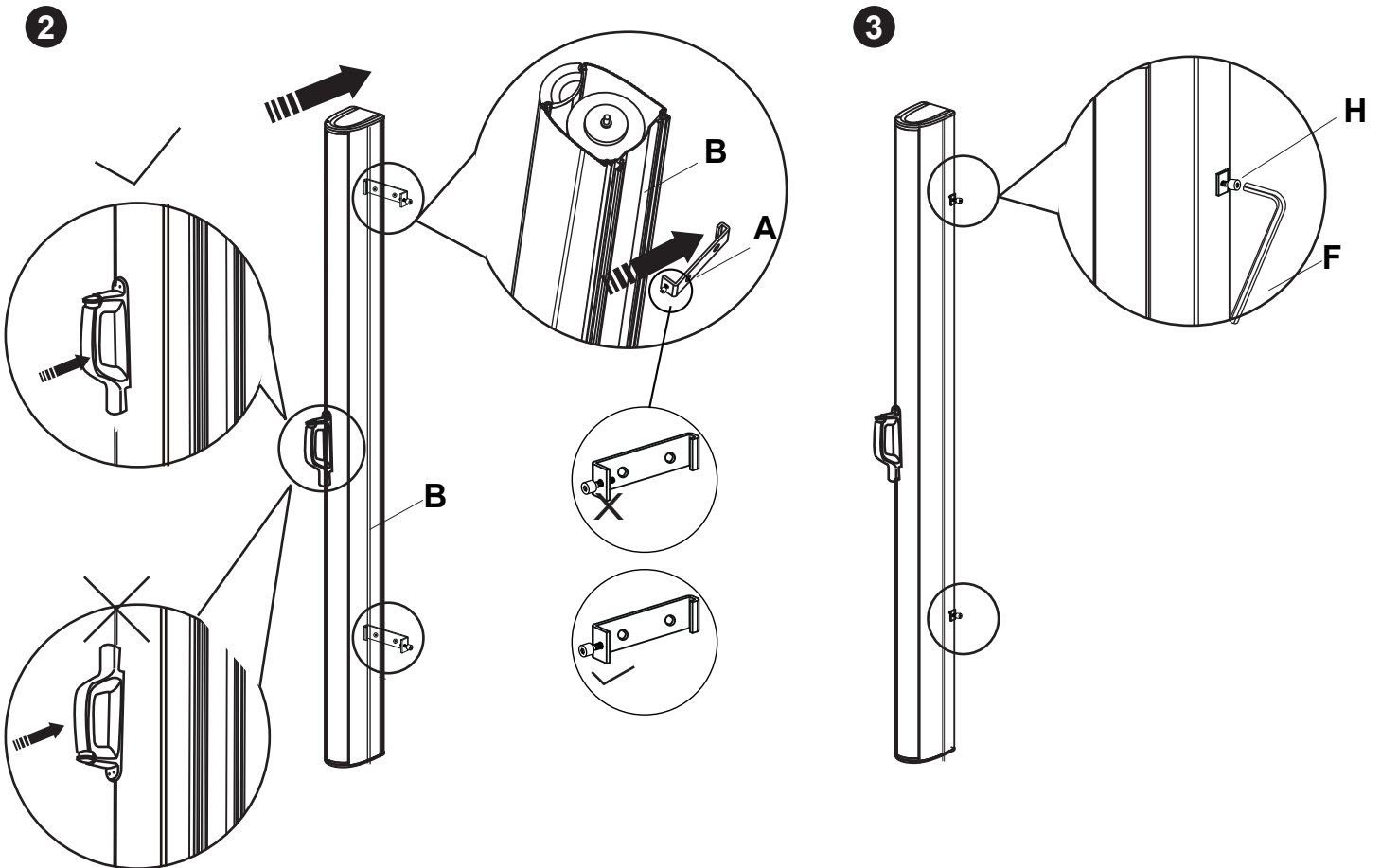
# ASSEMBLY PROCESSING STEP



install on wall

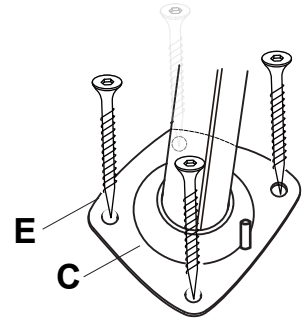
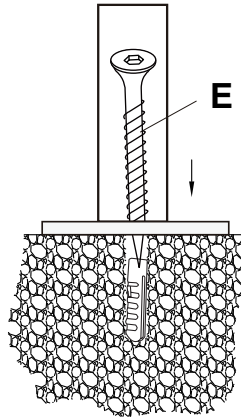
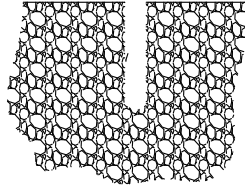
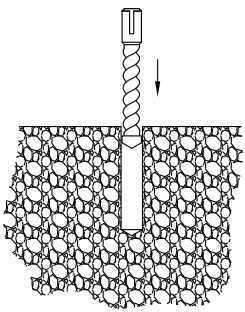


install on wood

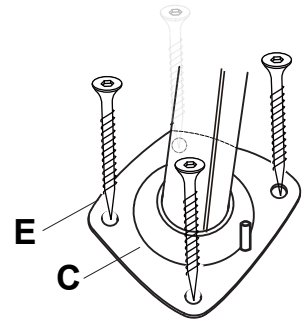
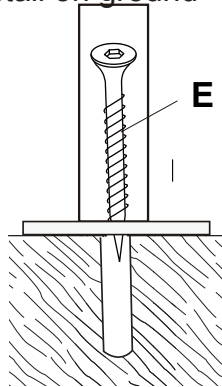
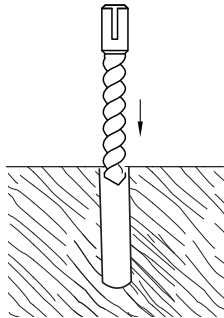


# ASSEMBLY PROCESSING STEP

4



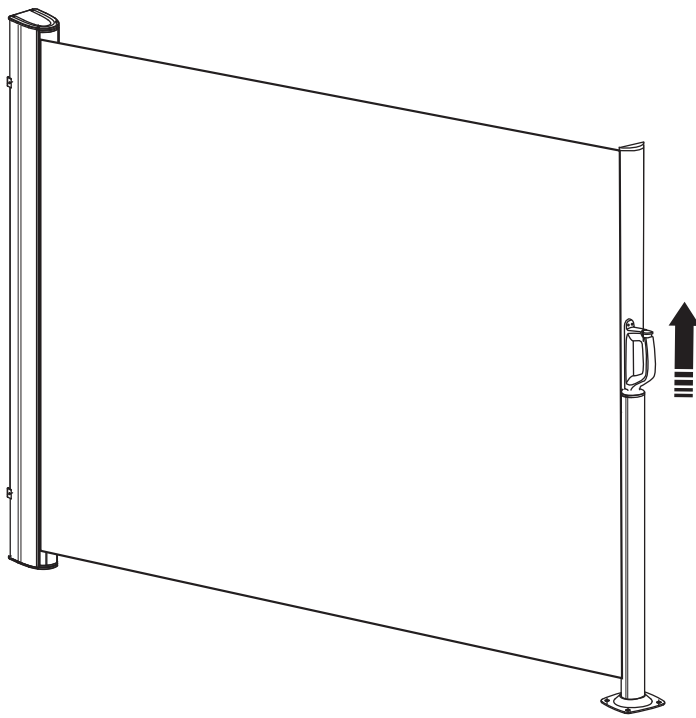
install on ground



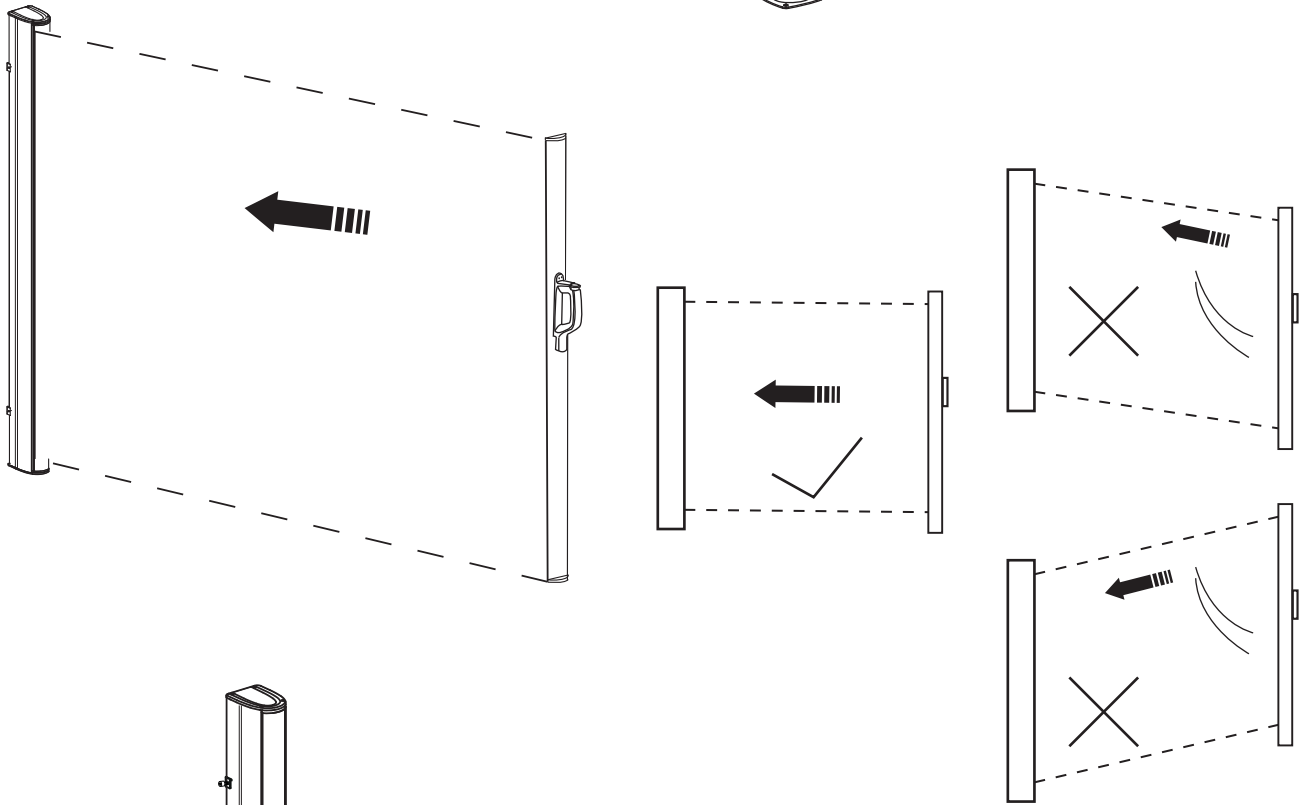
install on wood



1



2



3

