



FLORENCE SEVEN SEATER CORNER SOFA SET PLU-113114 - 113115 - 113116

Assembly Instructions

**IMPORTANT: PLEASE RETAIN THIS INSTRUCTION MANUAL
FOR FUTURE REFERENCE. PLEASE READ CAREFULLY.**

WARNING

This item is for domestic use only.

Please store all cushions indoor, when not in use.

Recommended that two people assemble this item. Assemble this item on a flat, solid and even surface.

Make sure that all the necessary pieces are in the carton before starting the assembly.

Maximum loading capacity :

Sofa : 100 kgs per seat / Total max. loading 500 kgs for corner set

Stool: 100 kgs

Do not climb or jump on this item.

Keep away from fire and flammable objects.

Ensure all screws and fixtures are secure before use.

Please do not sit on the armrests.

The glass in this product is tempered glass.

CLEAN AND CARE






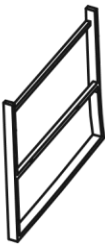

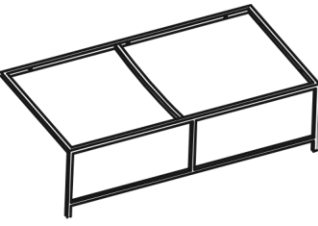

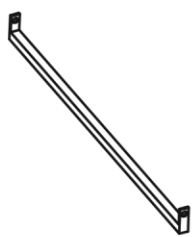
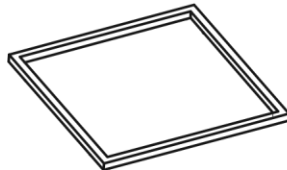

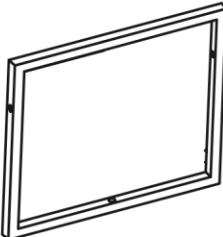
Periodically ensure all the screws and fixings are secure and the item is stable.

Damp wipe only and dry naturally.

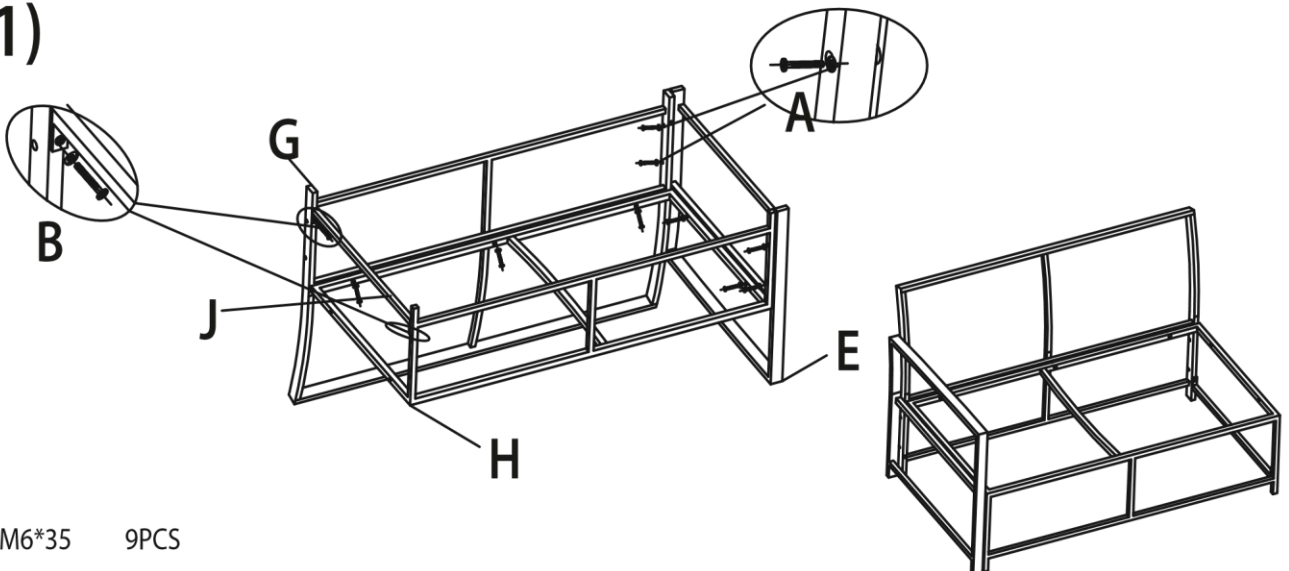
We advise covering up or storing away your furniture when not in use to protect it from the elements.



CORNER SOFA & FOOT STOOL

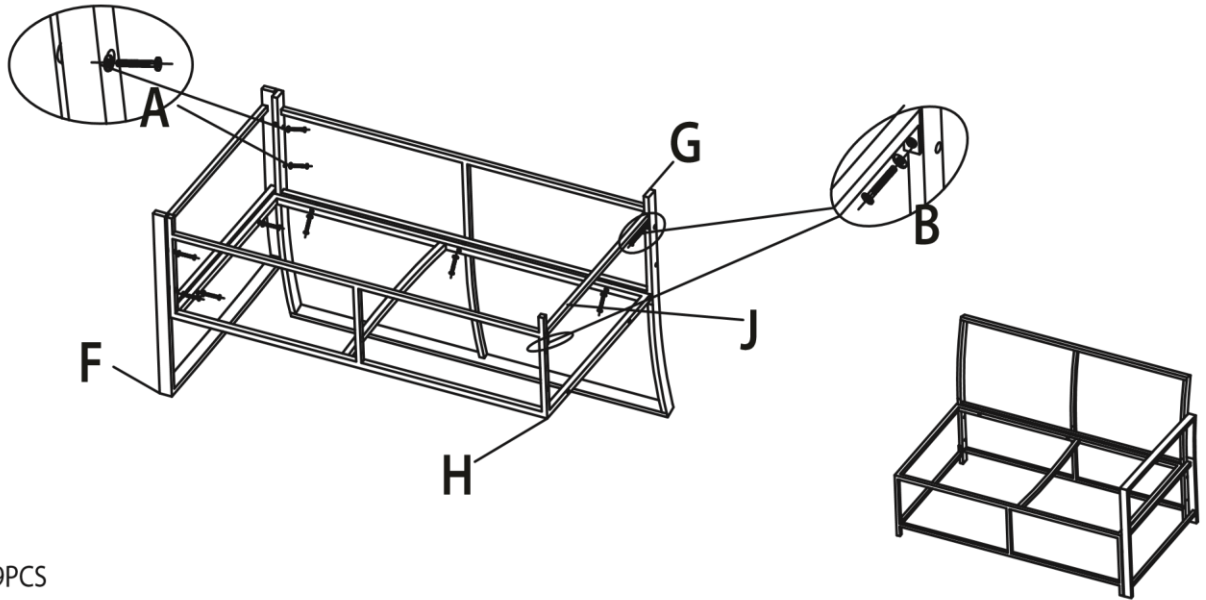
A	M6*35	27PCS	B	M6*15	6PCS	C	20PCS	D	1PC
									
E	1PC	F	1PC	G	3PCS	H	3PCS		
									
I	1PC	J	3PCS	K	2PCS	L	4PCS		
									
M	4PCS								
									

(1)



M6*35 9PCS
M6*15 2PCS

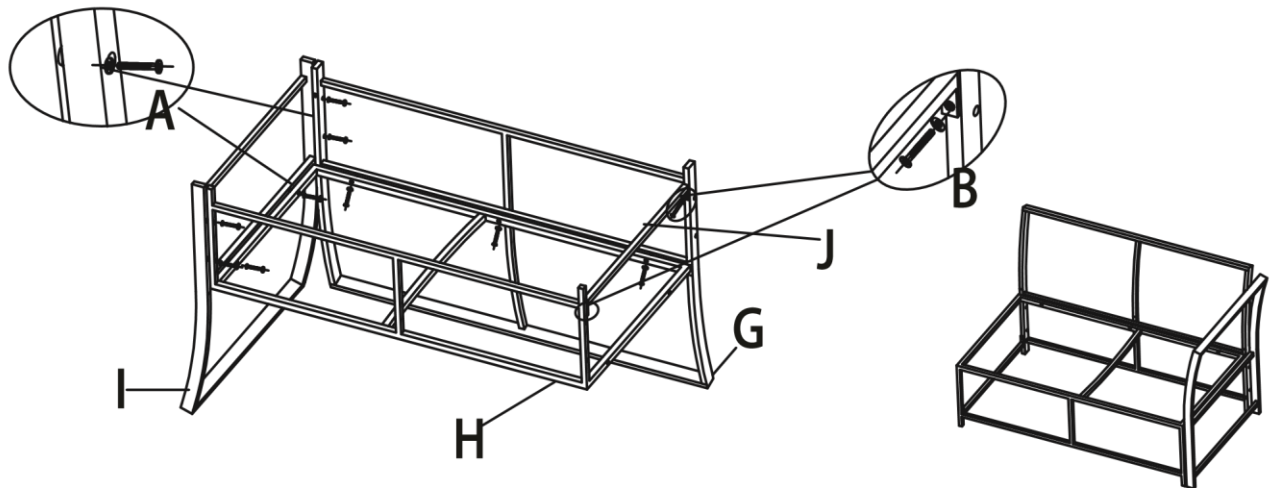
(2)



M6*35 9PCS

M6*15 2PCS

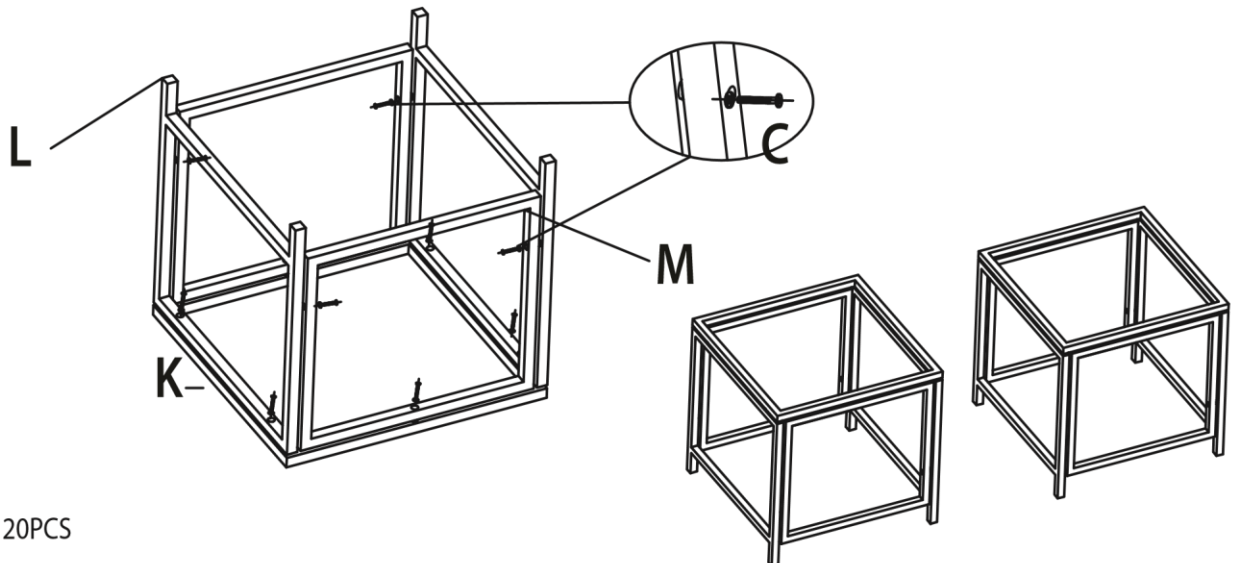
(3)



M6*35 9PCS

M6*15 2PCS

(4)



M6*30 20PCS

