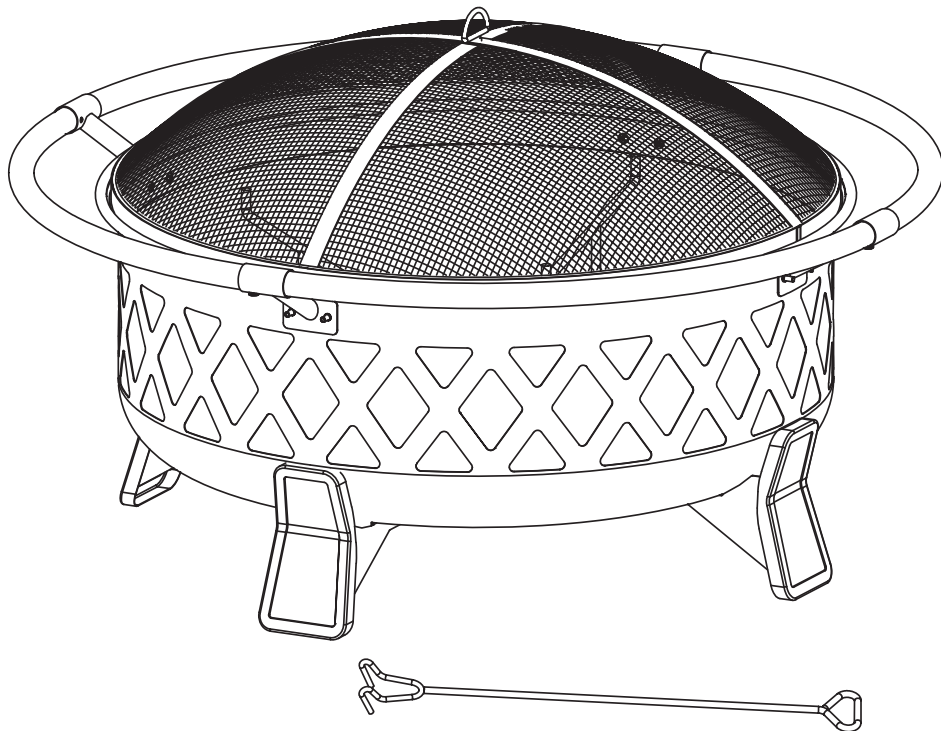


# BIGHORN<sup>®</sup>

## COLORADO Fire Pit

PLU # 166658

Model No.: SRFP11716



## User's Manual

Please keep this instruction manual for future reference

 **Warning:**

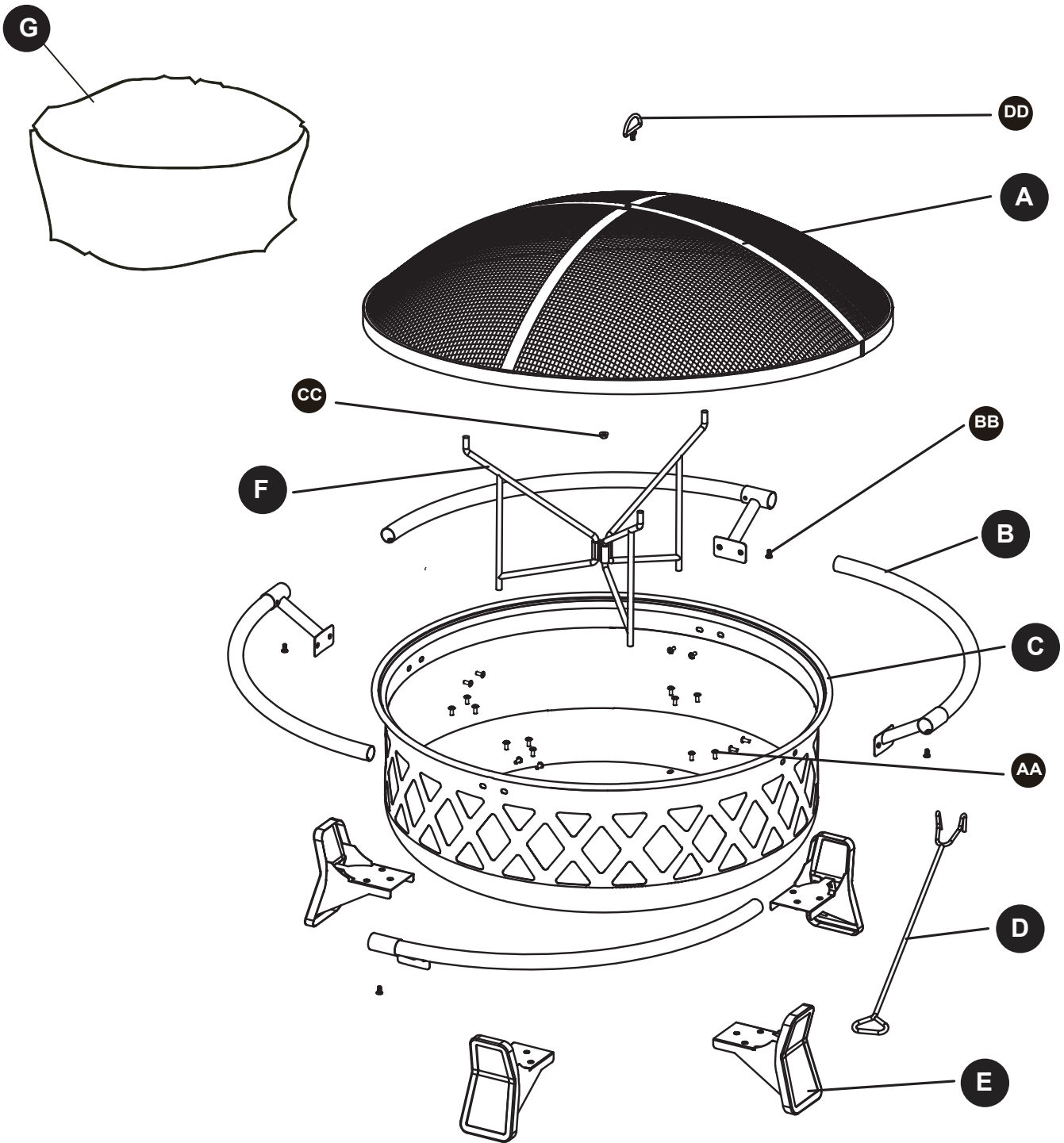
READ INSTRUCTION MANUAL BEFORE ATTEMPTING TO ASSEMBLE OR  
OPERATE THIS PRODUCT.

Adult assembly required.






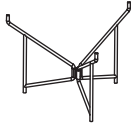
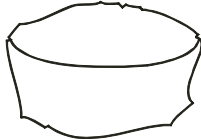
Keep screws and parts out of reach of children.

(Made in China)

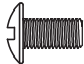



# Exploded View




## Parts List

Part #	Description	Picture	Qty
A	Screen		1
B	Safety Ring		4
C	Fire Bowl		1
D	Screen Hook		1
E	Leg		4
F	Log Rack		1
G	Protective Cover		1

## Hardware

Hardware #	Description	Picture	Qty
AA	M5 x 10 Screw		20
BB	M5 x 8 Tapping Screw		4
CC	M6 Flange Nut		1
DD	M6 Ring Screw		1

# Safety Informations

 Please read and understand this entire manual before attempting to assemble, operate or install the product.

 **WARNING:**

- 1) FOR OUTDOOR USE ONLY.
- 2) Do not use the fire pit indoors. Carbon monoxide fumes, due to lack of ventilation, can cause death.
- 3) Do not use gasoline or kerosene to start fires in the fire pit. Keep all flammable liquids away from the fire pit.
- 4) This unit is designed to burn charcoal and untreated wood only.
- 5) Do not use under or on combustible structures/surfaces including wooden decks.
- 6) Use long-handled fire tool with this fire pit.
- 7) Dispose of packaging materials properly.
- 8) Keep children away from hot fire pit.
- 9) Fire pit remains very hot for a period of time after using.
- 10) Be sure fire pit is cool before attempting to move it.
- 11) Do not place the protective cover too close to fire pit when it's burning.
- 12) Do not let hot or burning debris from the fire get inside the protective cover.
- 13) Do not burn more than 0.6 kg. of charcoal or 1.4 kg. of untreated wood at one time.
- 14) The handles of the tools may become hot during and after use.
- 15) The fire pit should be placed no closer than 24 in. from walls during use.

**CAUTION:** Assemble the fire pit on a non-abrasive surface.

## **PREPARATION**

---

Before assembling product, make sure all parts are present. Compare parts with package contents list and hardware contents list. If any part is missing or damaged, do not attempt to assemble the product.

Tools required for assembly (not included): Phillips screwdriver

# Assembly Instructions

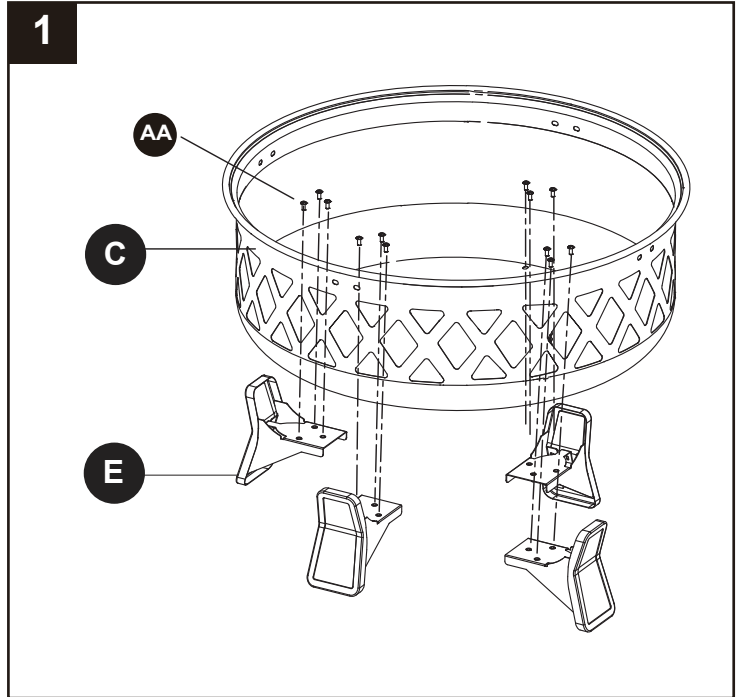
NOTE: Assemble the fire pit on a non-abrasive, level surface. If missing parts, please contact customer service.

## Step 1

Attached the legs (E) to the fire bowl (C) with (12) M5 x 10 screws (AA) as illustrated.

### Hardware Used

AA M5 x 10 Screw  x12

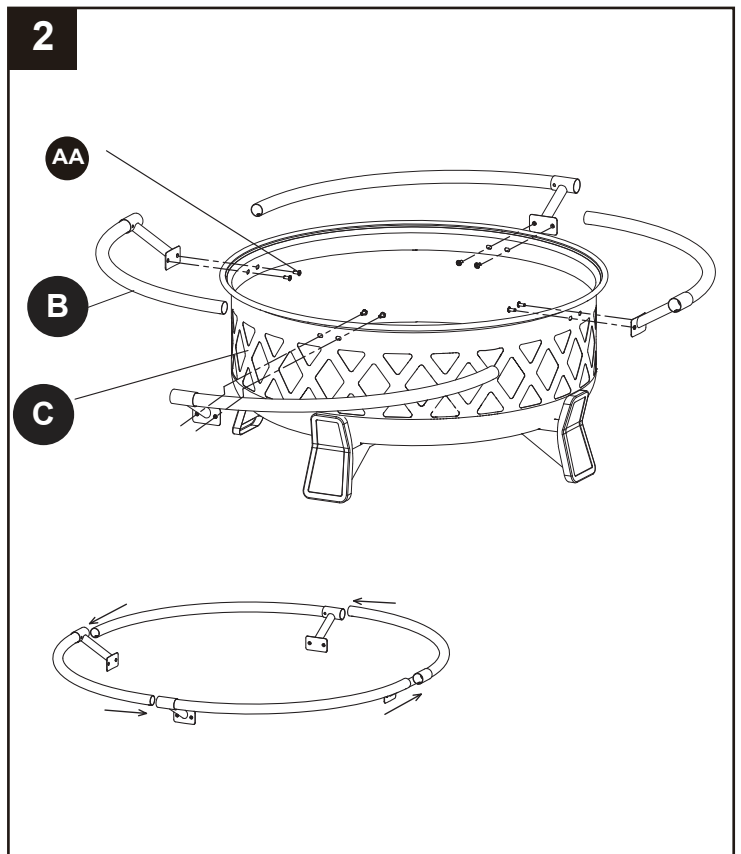


## Step 2

Attach the safety rings (B) to the fire bowl (C) with (8) M5 x 10 screws (AA) as illustrated.

### Hardware Used

AA M5 x 10 Screw  x8




# Assembly Instructions

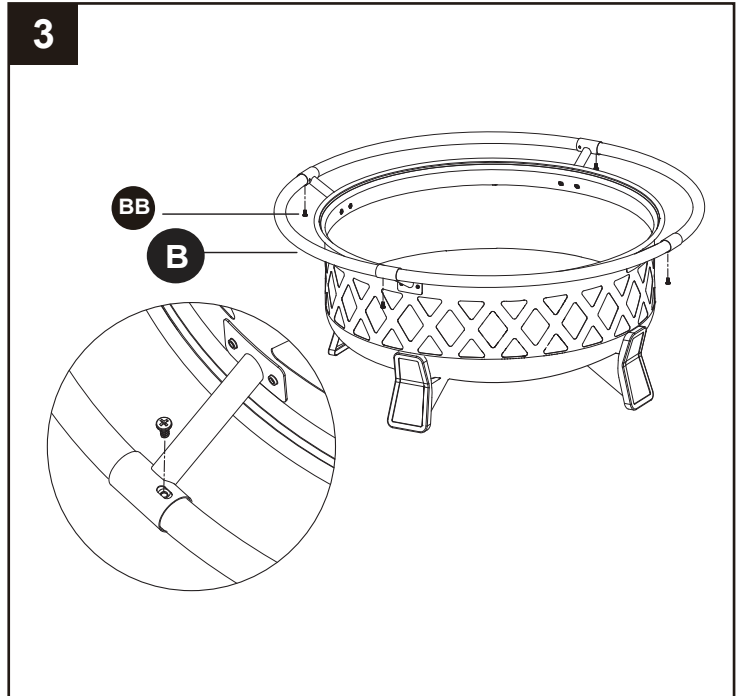
NOTE: Assemble the fire pit on a non-abrasive, level surface. If missing parts, please contact customer service.

## Step 3

Connect the safety rings (B) with (4) M5 x 8 tapping screws (BB) as illustrated.

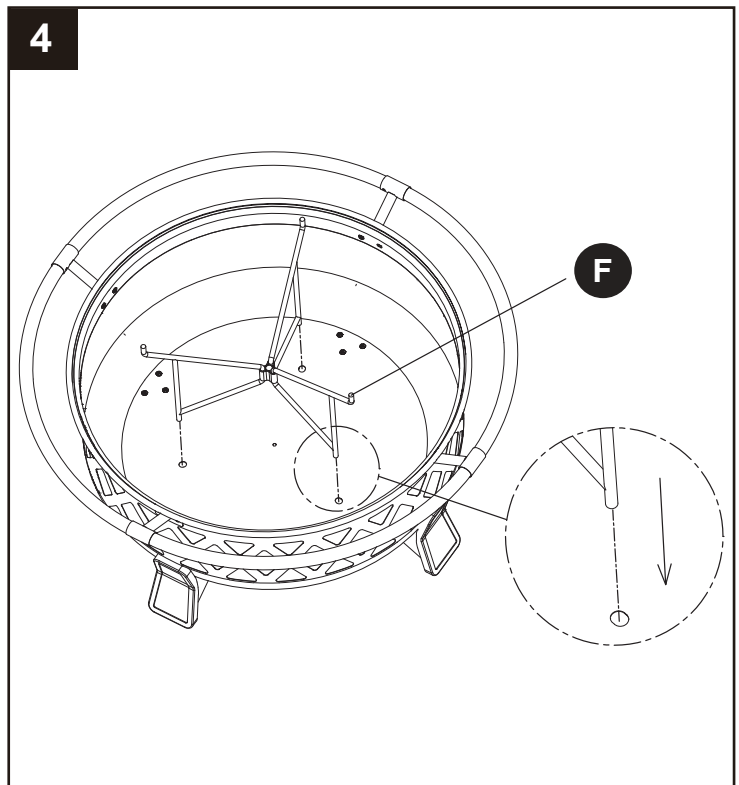
### Hardware Used

**BB** M5 x 8 Tapping Screw  x4



## Step 4

Place log rack (F) to the bottom of fire bowl (C) as illustrated.





# Assembly Instructions

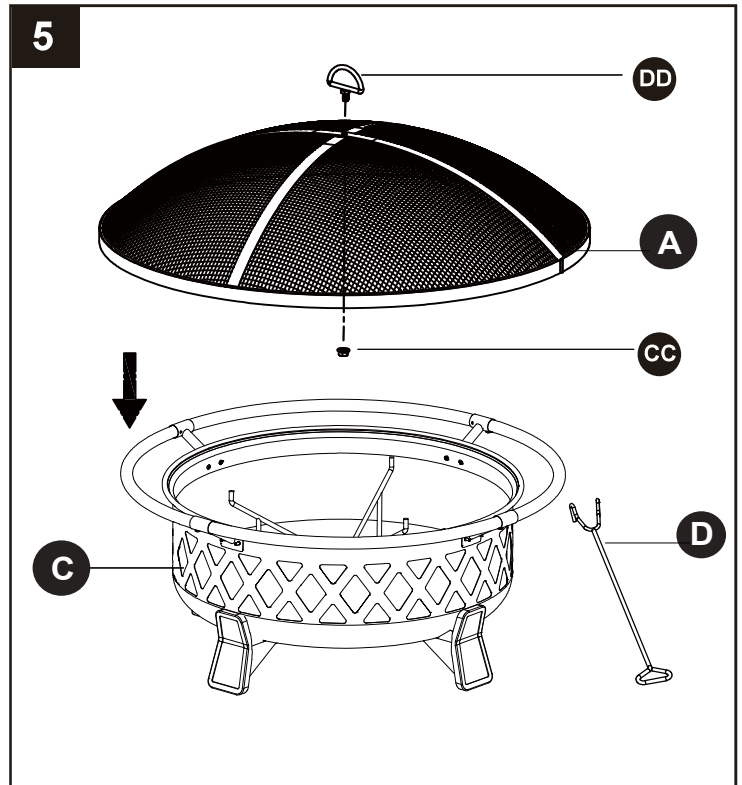
NOTE: Assemble the fire pit on a non-abrasive, level surface. If missing parts, please contact customer service.

## Step 5

Attach M6 ring screw (DD) to the top of the screen (A) with M6 flange nut (CC), then place the screen (A) on the top of the fire bowl (C) followed by the screen hook (D) as illustrated.

### Hardware Used

- |                         |   |    |
|-------------------------|---|----|
| <b>CC</b> M6 Flange Nut |  | x1 |
| <b>DD</b> M6 Ring Screw |  | x1 |



# Care and Maintenance

## Inspecting

Inspect this fire pit on a regular basis to ensure product safety and longer product life. DO NOT attempt to inspect this outdoor fire pit until the fire is COMPLETELY out and cooled down.

- Check handles to make sure they are secure.
- Check components for any signs of damage or rust.
- If any component is damaged, do not operate until repairs are made.

## Cleaning

Clean this outdoor fire pit on a regular basis to promote safer use and longer product life.

Note: After repeated use, the finish may discolor slightly.

DO NOT attempt to clean this outdoor fire pit until the fire is COMPLETELY out and cooled down.

DO NOT use oven cleaner or abrasive cleaners as they will damage this product.

DO NOT clean any part of this outdoor fire pit in a self-cleaning oven as it may damage this finish.

- Wipe exterior surfaces with a mild dishwashing detergent or baking soda.
- For stubborn surfaces, use a citrus-based degreaser and a nylon scrubbing brush.
- Rinse clean with water.
- Remove built-up creosote from components with a chimney cleaning product.

## Storage

DO NOT move or store this outdoor fire pit until the fire is COMPLETELY out and cooled down.

- Once the fire is out, coals are cold and outdoor fire pit is cool to touch, remove ashes and properly dispose.
- Cover outdoor fire pit with the protective cover (G).
- Store assembled in a location away from children and pets.

Note: If you do not use a cover, store this outdoor fire pit in a dry location to maximize product life.