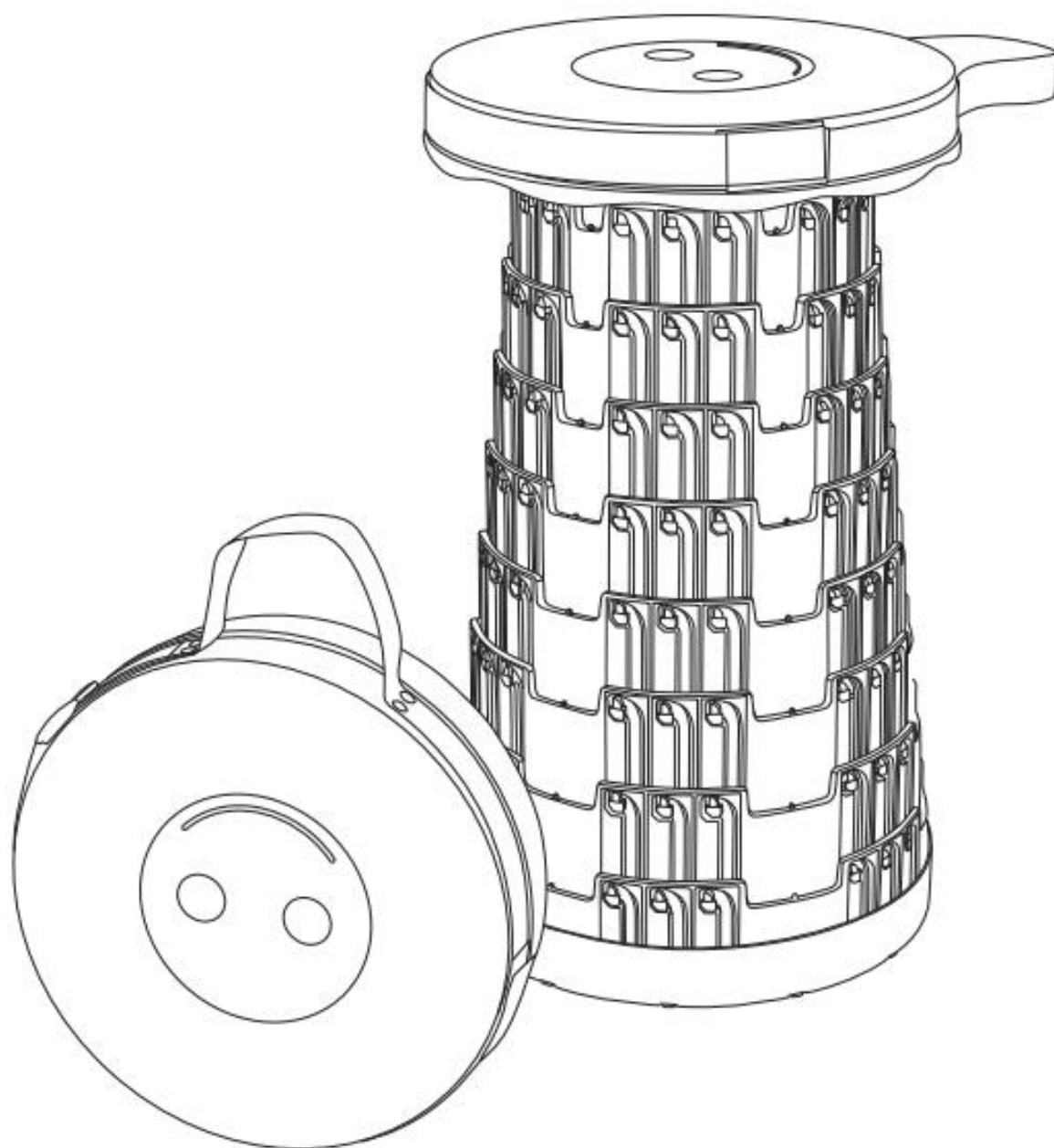
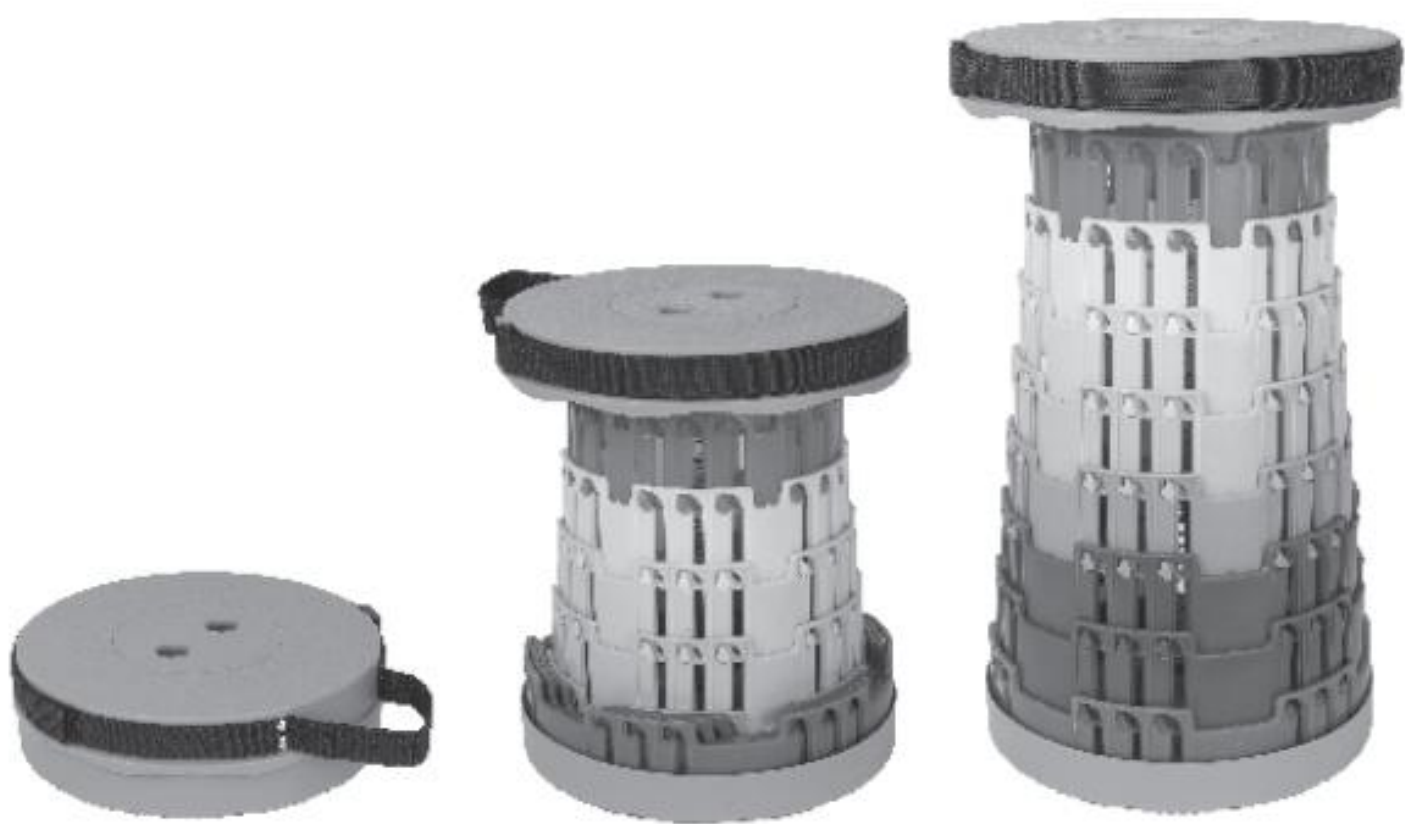


INSTRUCTION MANUAL
COLLAPSIBLE
CAMPING STOOL

PLU-165931





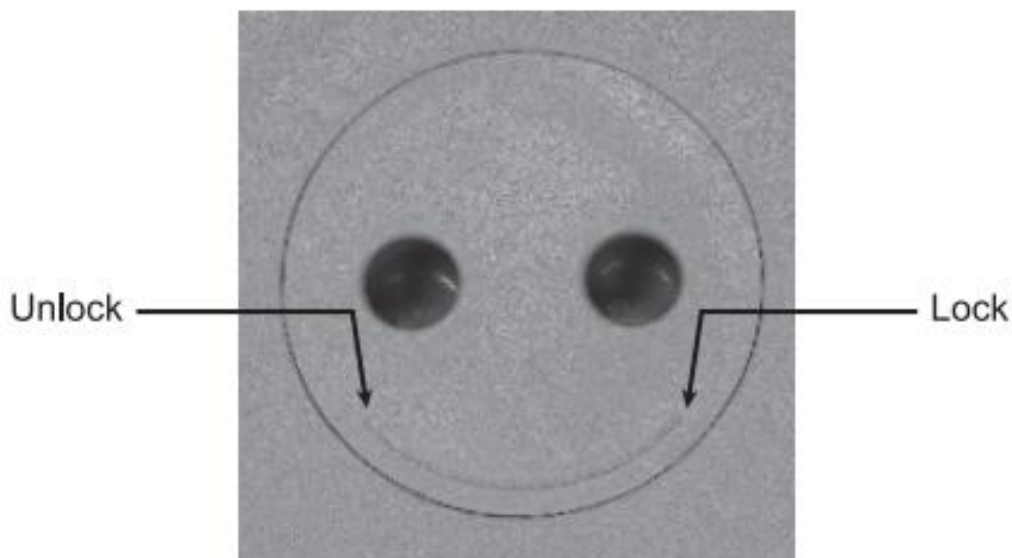
IMPORTANT, RETAIN FOR FUTURE REFERENCE: READ CAREFULLY

WARNING

Please read the following carefully to ensure safe and satisfactory operation of this product.

- Inspect for signs of wear or damage before each use
- Only suitable for use on level ground
- Distribute weight evenly
- Not for standing, do not use as a ladder
- Keep hands clear of hinges when folding / unfolding
- Supervise children when in use
- Take care when using on smooth/polished flooring
- Surface Consideration: Utilize the stool on stable and level surfaces to minimize the risk of tipping or instability during use.
- Secure Transportation: Always ensure the stool is fully closed and securely locked before transporting it to prevent accidental unfolding and potential hazards.
- Sit in the centre of the seat. Do not sit on the edge of the stool, as it may tip over.
- **Max load - 100kg**
- Do not stand on stool

SAFETY INSTRUCTION



1. Before deploying your portable stool, ensure the locking system with Lock (OFF) & Unlock (ON) is switched to the "Unlock (ON)" position. This action guarantees a smooth and secure unfolding, ensuring safe and convenient use.

SAFETY INSTRUCTION

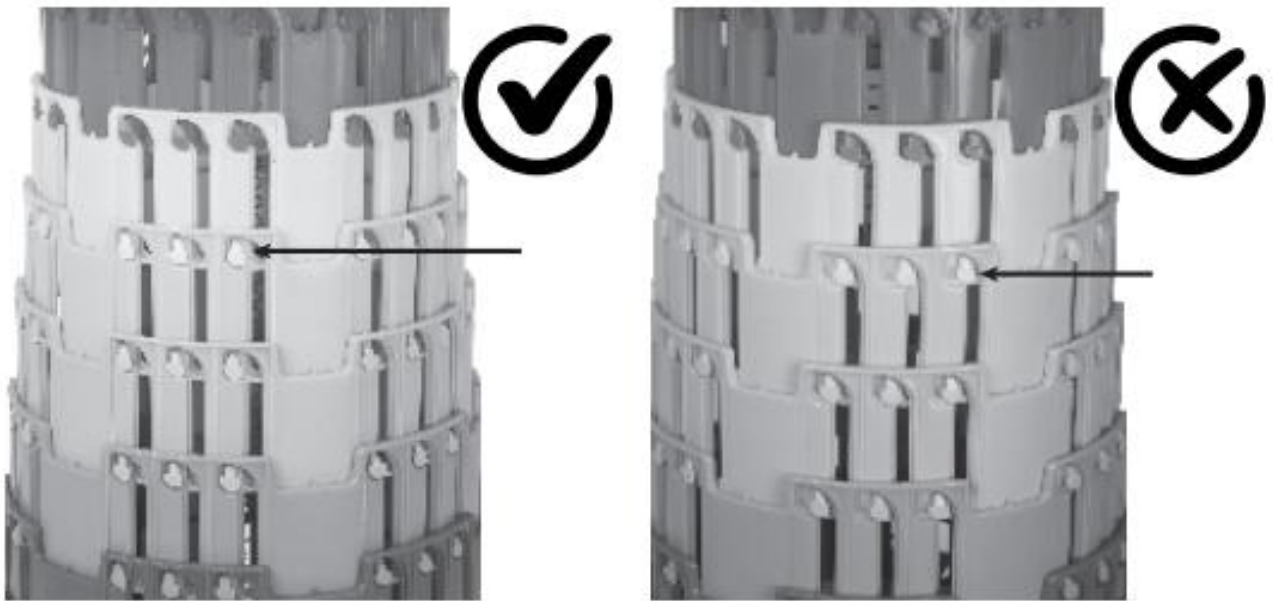


2. For optimal safety and stability, ensure your stool is placed on a level and sturdy surface before use. This practice enhances the stool's reliability and prevents potential tipping or instability during your seating experience.



3. Maintain a centred position when seated on the stool, avoiding tilting, twisting, or sudden weight shifts. Distribute your weight evenly across the seat to ensure balanced support and stability. Avoid placing excessive pressure on one specific area of the stool, as this could compromise its structural integrity. By keeping your weight evenly distributed and refraining from abrupt movements, you'll maximize the stool's comfort and durability during use.

SAFETY INSTRUCTION



4. After adjusting your stool to the preferred height, ensure that the locking pins securely fit into their designated groove slots. This step is crucial to guarantee the stability and safety of your seating experience. Confirming that the locking mechanism is engaged properly ensures that the stool remains at the desired height without unexpected adjustments or collapses. Always double-check this alignment before use to ensure a secure and reliable seating platform.



5. To prevent damage or potential injury, refrain from subjecting your stool to lateral impacts or forceful blows from the sides. Such impacts can compromise the stool's structural integrity and result in collapsing. Ensuring the stool's stability and durability is essential for safe use, so handle it with care and avoid exposing it to sudden lateral forces that could compromise its stability.

SAFETY INSTRUCTION

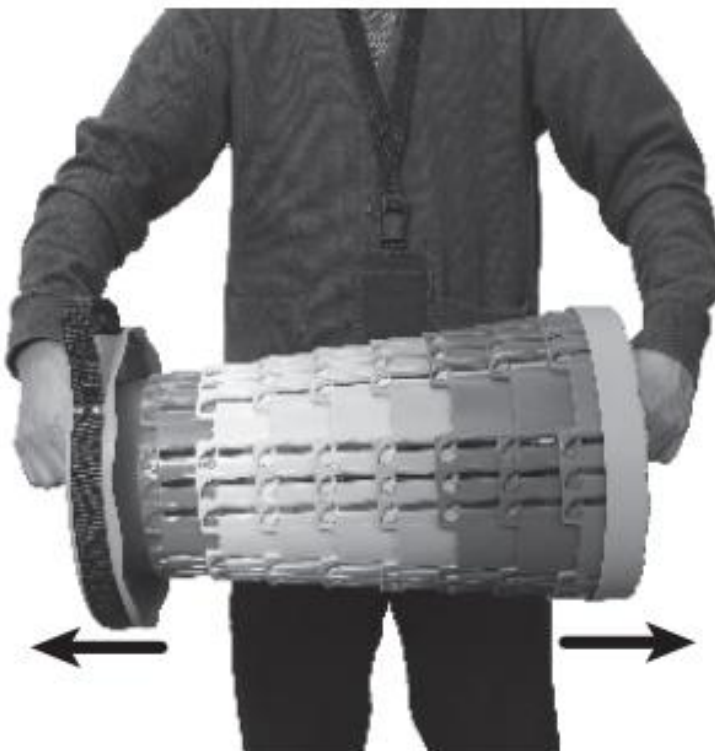


6. Upon fully closing your portable telescopic stool, remember to switch the lock back to the "Lock (**OFF**)" position. This action secures the stool, preventing any unintended opening while in transit or storage. Ensuring the lock is engaged after folding the stool maintains its compactness and prevents accidental deployment, ensuring safe handling and storage. Always confirm the lock position before transporting or storing the stool to avoid any unexpected openings.
7. In case your portable telescopic stool gathers dirt during your outdoor excursions, cleaning it is simple. Rinse it with fresh water and gently wipe it using a clean cloth. Avoid using high-pressure washers, as they may potentially damage the stool's materials or mechanisms. This gentle cleaning method ensures your stool remains in optimal condition without risking any harm from excessive pressure or forceful cleaning techniques.

HOW TO USE



1. Place thumb and index finger into the two holes on each end of the folded stool. (turn the lock to “ON” position.)



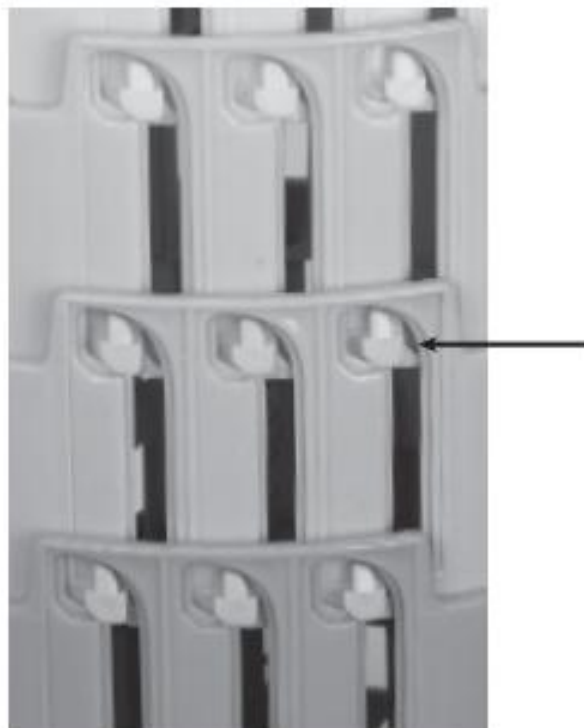
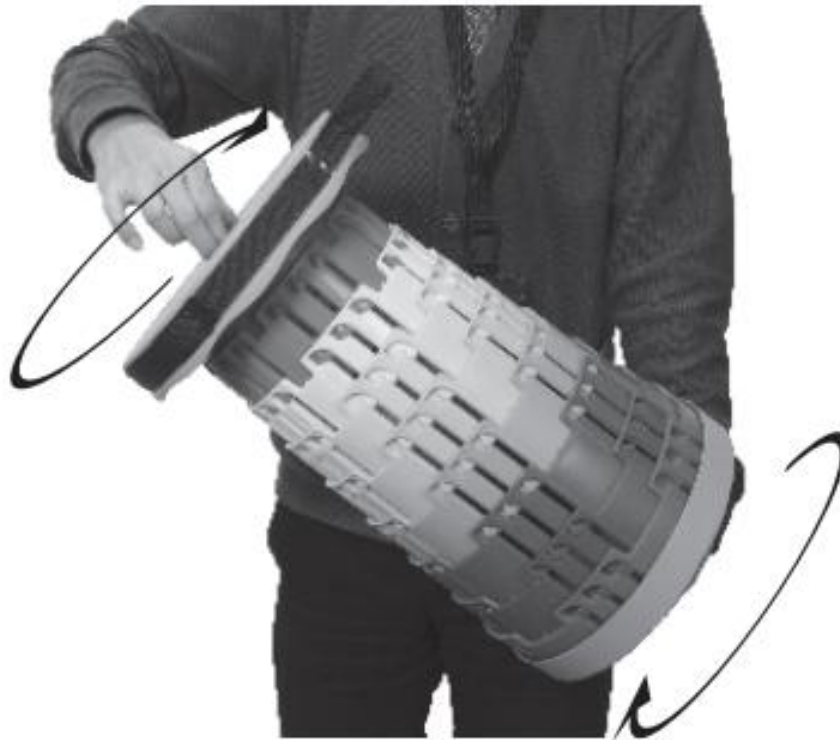
2. Pull both ends outwards until the clasps click into place (LOCKED). **Make sure all the locks are engaged. Place on the level floor and press the seat by hand to ensure the stool is fully stiff.** The stool is then ready for use.

HOW TO USE



3. The stool can be adjusted to your desired height. **Make sure the designated locks are engaged. Place on the level floor and press the seat by hand to ensure the stool is fully stiff.**

HOW TO USE



When closing the stool, insert fingers into the holes on the top and bottom sections. Pull both ends outwards to detach the clasps (UNLOCKED) and rotate counter-clockwise to collapse the stool for storage.

EASY TO CARRY



Portable



**Hanging on the
shoulder**

CARE AND CLEANING

- Use extra care when handling the stool.
- Distribute weight evenly when sitting.
- There are no repairable or replaceable parts. If malfunctioning, discard responsibly following local recycling regulations.
- Clean with a soft, damp cloth.
- Avoid using detergents or abrasives.
- Do not scrape the surfaces.

OGALAS ULC
UNIT 4 PARKWAY HOUSE
BALLYMOUNT DRIVE
DUBLIN, D12 ECR9
MADE IN CHINA

