

**PLU: 147408**

# **FOLDING CAMPING TROLLEY**



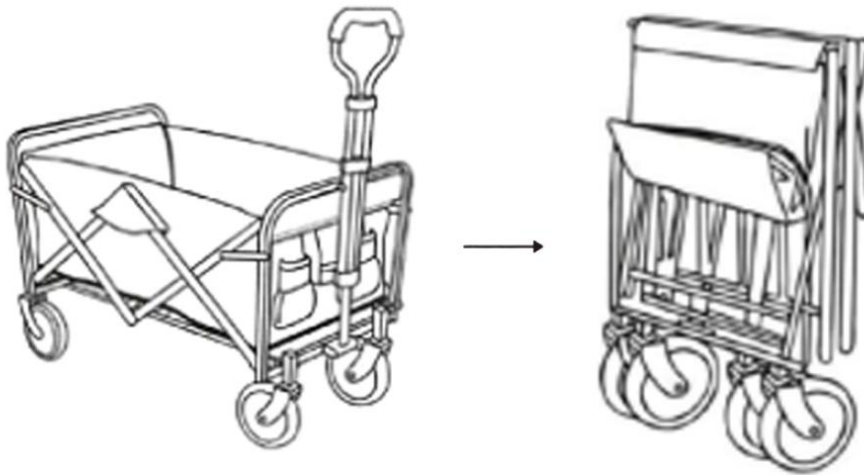
# **MANUAL**

OGALAS ULC - D12 ECR9



## Maintenance:

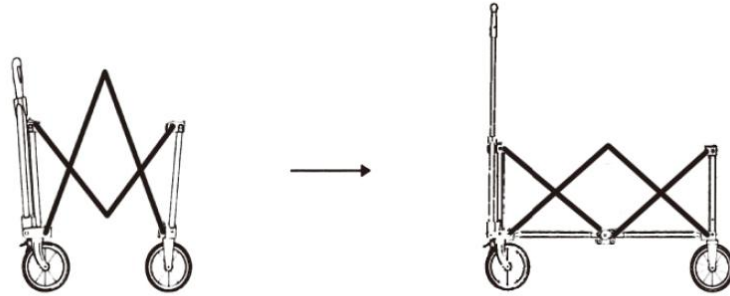
1. When cleaning the cloth pocket, please use a water temperature below 30 degrees Celsius to clean, and do not bleach.
2. To clean the frame, only use neutral detergent and warm water, do not use bleach.
3. Check your cart at any time, and replace or repair loose and worn parts, peeling materials, or seams at any time.
4. Excessive exposure to sunlight can easily lead to aging or deformation of the cart.
5. If this product is affected by moisture or rain, please unfold the cart and drain it. After drying, fold it up.



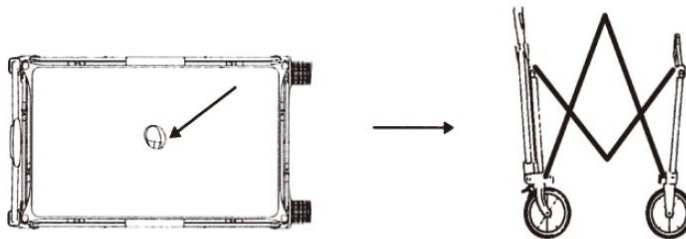
## **Warning:**

1. This product must be operated by an adult
2. Children should only use this cart under adult supervision.
3. Overloading or incorrect folding or use of unauthorized spare parts may cause product damage making it faulty and unsafe to use. Please read the product manual carefully.
4. When adjusting any spare parts of this product please use goggles for safety.
5. Do not use this product on stairs.
6. When using the cart, please stay away from sources of high temperatures, pools or near any power sources. Use caution around them.
7. Do not place children on the cart.
8. Do not place the cart on roads, ramps, or any other dangerous places.
9. To avoid pinch problems, be careful when folding.
10. Please make sure the cart is completely open when in use.
11. Stop using the product immediately when it is determined to have any damage.
12. This product is not suitable for running and or used while skating. It is designed only for normal walking speed.
13. Do not allow your children to use this product as a toy.

**1. Opening:** Place the camping cart on a flat ground. Open the frame on both sides by hand, then press the center convex position of the cart pocket to fully unfold the frame. Then lay the folding bottom plate on the bottom of the car pocket. After this is completed you can use the cart.



**2. Folding and storing:** After taking out the folding bottom plate, gently lift the bottom center pull ring, and the frame will automatically collapse.



**3.** When not in use, press and hold the middle button on the pull rod to shorten the pull rod. When in use, directly pull out the pull rod. The pull rod can be positioned within 90 degrees and can be subjected to forces used by people of different heights.

