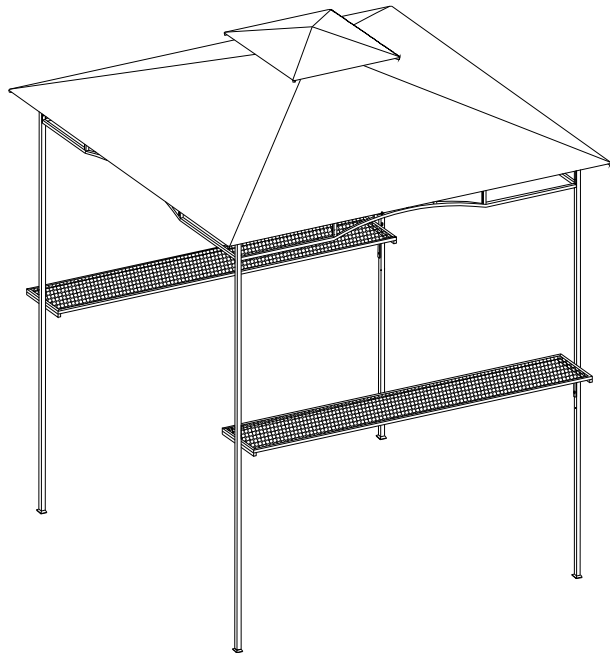


ASSEMBLY INSTRUCTIONS



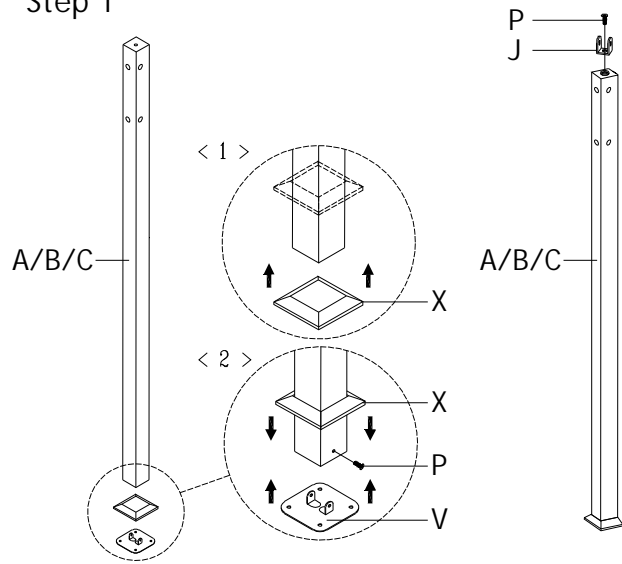
A x 1			B x 1		
C x 2			D x 2		
E x 2			F x 2		
G x 4	H x 4	I x 4	J x 4	K x 16	L x 8
M x 1	N x 1	O x 12	P x 33	Q x 12	R x 8
T x 1	U x 1	V x 4	W x 1	X x 4	Y x 10
					Z x 1

Note: This gazebo is meant to be used for decorative and sunshade purposes only. It cannot withstand strong winds and heavy rain and should not be used as a permanent fixture in your yard, deck or cement patio. Bolting the gazebo to cement patio or deck can cause damage to the structure during heavy winds and rain.

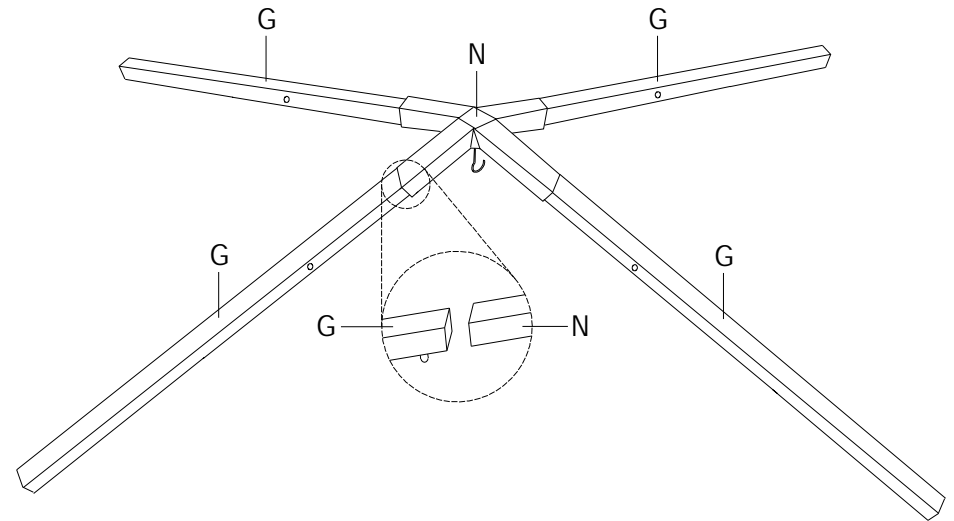
Warnings:

1. Do not ignite fireworks underneath the gazebo.
2. This product is designed for leisure use only and is not a shelter against adverse weather conditions.
3. Canopy should be removed during high winds to prevent damage to the canopy and gazebo frame.

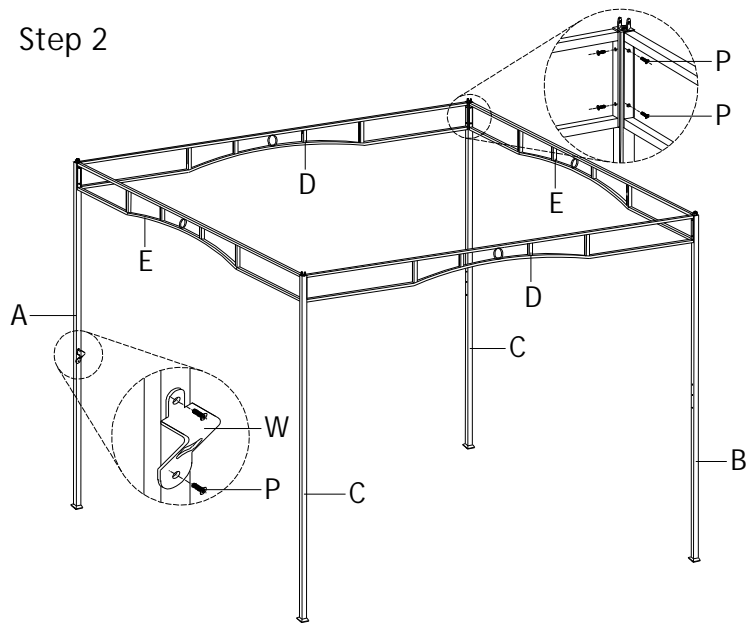
Step 1



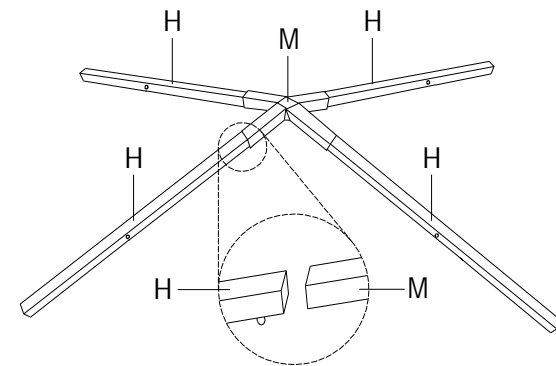
Step 3



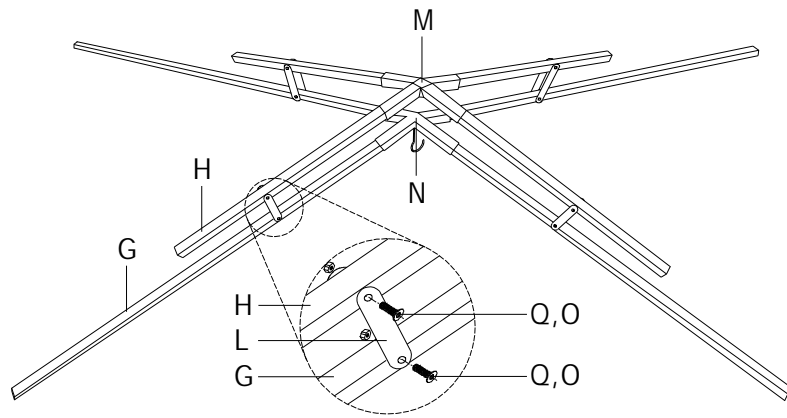
Step 2



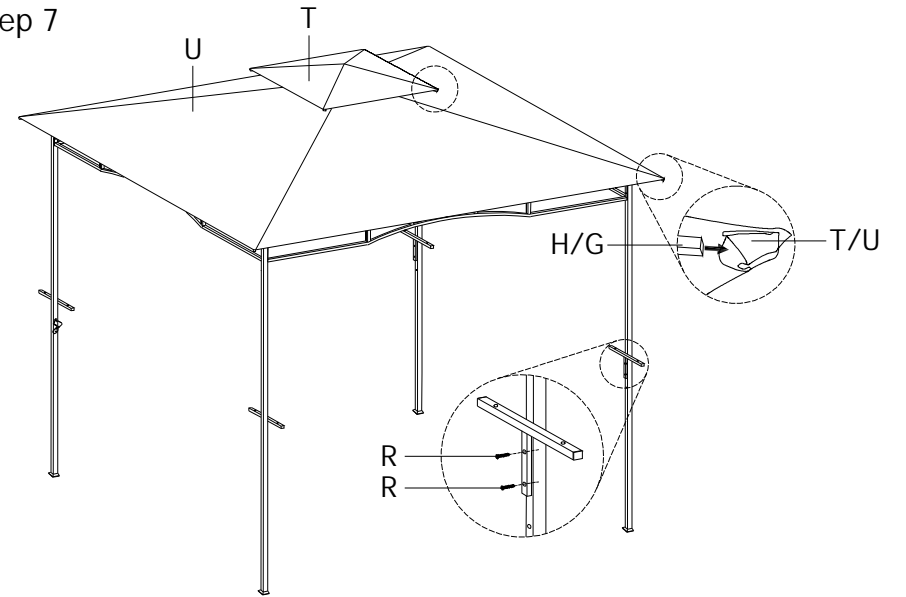
Step 4



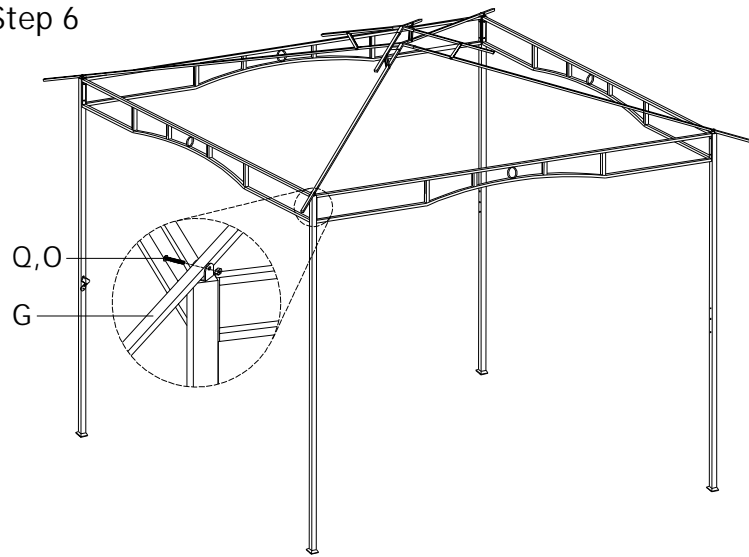
Step 5



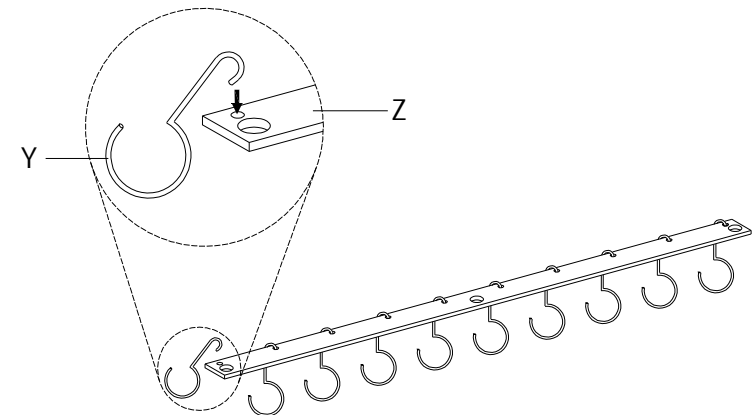
Step 7



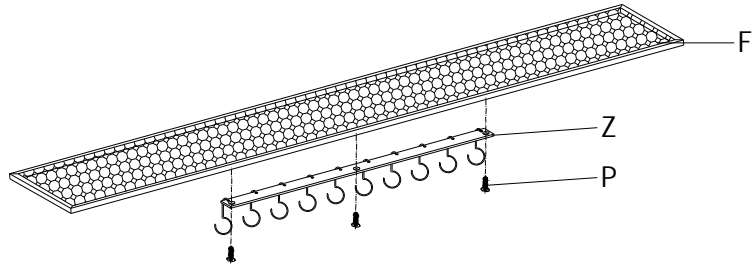
Step 6



Step 8



Step 9



Step 10

