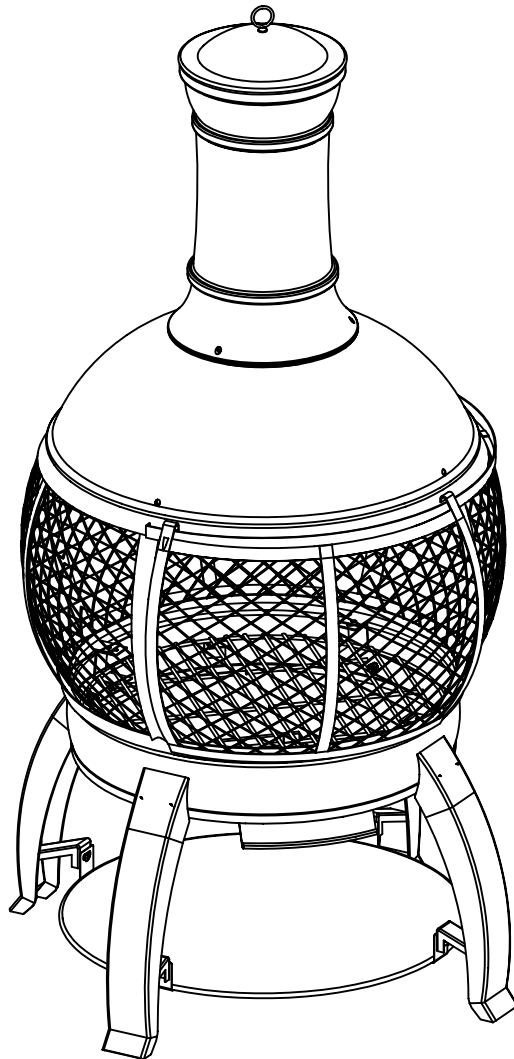


Master  ***Cook***™

1.2M CAST IRON CHIMENEA

MODEL NO. : SRCH08







Before You Begin

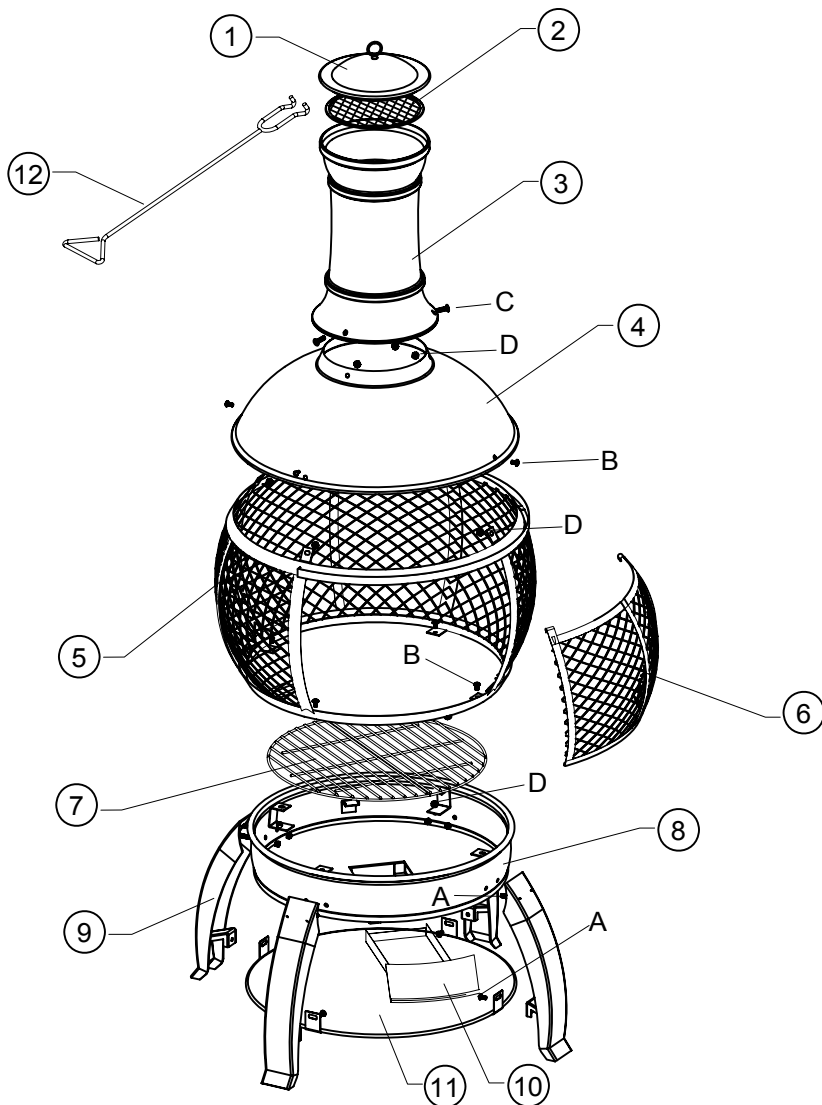
Check to make sure you have the following:

Part List

| | |
|-----------------------|-------|
| 1. Chimney cap | 1 pc |
| 2. Chimney mesh cover | 1 pc |
| 3. Chimney | 1 pc |
| 4. Stove cover | 1 pc |
| 5. Screen assembly | 1 pc |
| 6. Screen door | 1 pc |
| 7. Charcoal grid | 2 pcs |
| 8. Stove base | 1 pc |
| 9. Leg | 4 pcs |
| 10. Ash tray | 1 pc |
| 11. Log rack | 1 pc |
| 12. Poker | 1 pc |

Hardware List

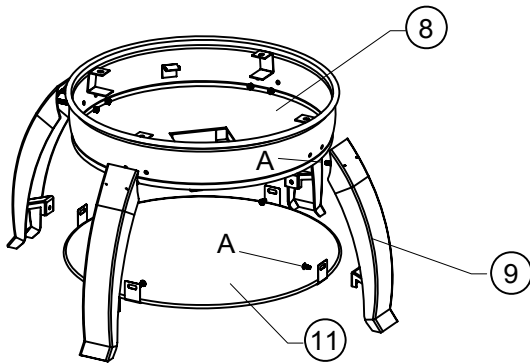
| | | | |
|----|---|--------------|--------|
| A. |  | M6 x 12 Bolt | 12 pcs |
| B. |  | M6 x 15 Bolt | 8 pcs |
| C. |  | M6 x 25 Bolt | 3 pcs |
| D. |  | M6 Nut | 11 pcs |



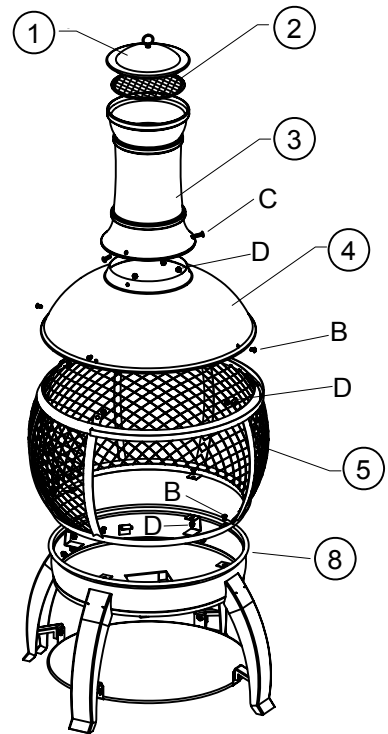
Preparation

- Remove all parts from packaging. Check to make sure you have all parts described in "Before You Begin" section above.
- Spread out parts on a soft, level surface to avoid scratching parts.

Assembly Instruction



- 1** Attach four legs(9) to stove base(8) by eight sets of M6x12 bolts(A) . Then connect log rack(11) with legs(9) by four M6x12 bolts(A).

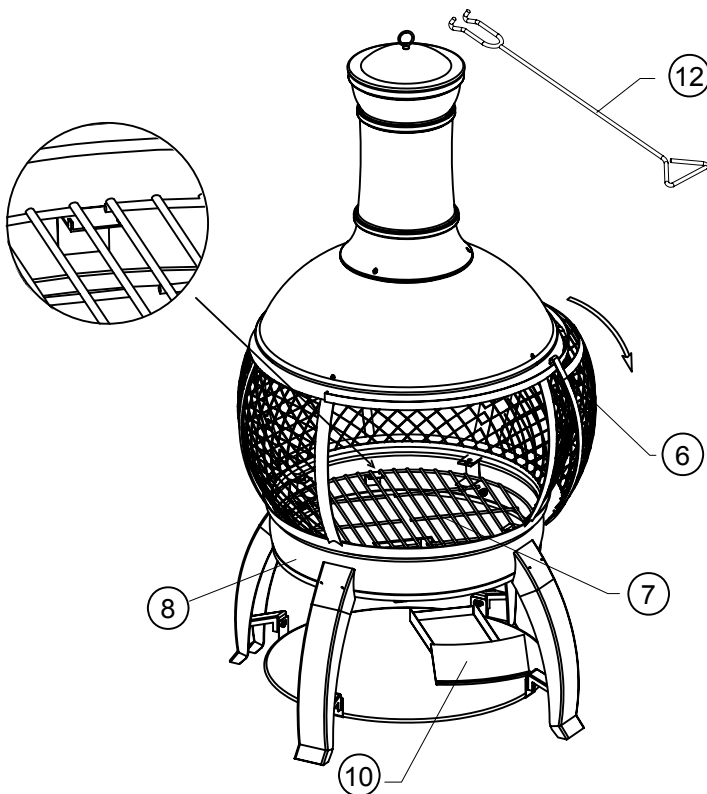


- 2** 1) Attach screen assembly(5) onto stove base(8) by 4 sets of M6x15 bolts(B)and M6 nuts(D)
Note: Make sure the screen door aligns with ash tray.

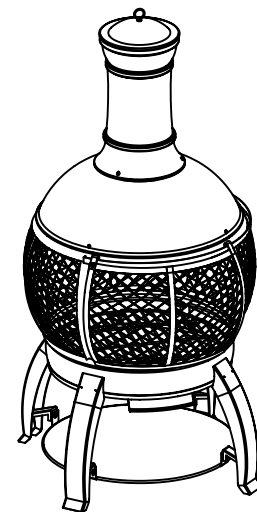
2) Attach stove cover(4) onto screen assembly(5) by 4 sets of M6x15 bolts(B) and M6 nuts(D).

3) Attach chimney(3) onto stove cover(4) by 3 sets of M6 x 25 bolts(C) and M6 butts(D).

4) Place chimney mesh cover(2) and chimney cap (1) on top of chimney (3) in order.



- 3** 1) Hang the screen door (6) onto the support bar of screen assembly (5).
2) Place two charcoal grid (7) onto stove base (8), and fix them onto the support bracket.
3) Insert ash tray (10) into the track on stove base (8).



- 4** Assembly completed.

Safety Instruction

WARNING: THIS CHIMENEA IS FOR OUTDOOR USE ONLY! DO NOT USE THIS CHIMENE A INDOORS!
INDOOR USE CAN BE FATAL!

Lighting Instruction

1. Open the sliding door using the poker, and put the log(s) (less than 4 lb.) on the charcoal grid.
(NOTE: Make sure log does not extend to the charcoal grid edge, and the log height does not extend 14 in. The fire height should not extend 3/4 the height of screen.)
2. Put dry wood scraps under firewood/charcoal, light them. Close the screen door by poker.
3. Put fire out!! Make sure the fire is completely out before you leave.
4. Make sure the fire is completely out before you clean the ash tray sweep the ash into the ash tray, pull ash tray out and empty it.
5. Care, maintain and clean this chimenea, please use wet cotton fabric to clean the chimney body and chimney cap.

Care and Maintenance

Inspecting

This chimenea should be inspected on a regular basis to ensure product safety and longer product life.
DO NOT attempt to inspect this chimenea until the fire is COMPLETELY out and cooled down.

1. Check handles to make sure they are secure.
2. Check components for any signs of damage or rust.
3. If damage to any component is detected, do not operate until repairs are made.

Cleaning

To maintain the cleanness of this chimenea, use a damp cotton cloth to remove the smoke stain from the mesh cover and chimney cap.

This chimenea should be cleaned on a regular basis to promotes

Note: After repeated use, a slight discoloration of the finish may occur.

DO NOT attempt to clean this chimeanea until the fire is COMPLETELY out and cooled down.

DO NOT use oven cleaner or abrasive cleaners as they will damage this product.

DO NOT clean any part of this chimenea in a self-cleaning oven as it may damage its finish.

1. Wipe exterior surface with a mild dishwashing detergent or baking soda.
2. Store this chimenea in a dry location to maximize product life.
3. Clean with water.
4. Remove built-up creosote from components with a chimenea cleaning product.

Storing

DO NOT move or store this chimenea until the fire is COMPLETELY out and cooled down.

1. Once the fire is out (coals are cold and chimenea is cool to touch), remove ashes and properly dispose.
2. Store this chimenea in a dry location to maximize product life.
3. Store assembled chimenea in a location away from children and pets.