



FLORENCE SEVEN SEATER CORNER SOFA SET

PLU-113114 - 113115 - 113116

Assembly Instructions

IMPORTANT: PLEASE RETAIN THIS INSTRUCTION MANUAL FOR FUTURE REFERENCE. PLEASE READ CAREFULLY.

WARNING

This item is for domestic use only.

Please store all cushions indoor, when not in use.

Recommended that two people assemble this item. Assemble this item on a flat, solid and even surface.

Make sure that all the necessary pieces are in the carton before starting the assembly.

Maximum loading capacity :

Sofa : 100 kgs per seat / Total max. loading 500 kgs for corner set

Stool: 100 kgs

Table: 20 kgs

Do not climb or jump on this item.

Keep away from fire and flammable objects.

Ensure all screws and fixtures are secure before use.

Please do not sit on the armrests.

The glass in this product is tempered glass.

If the glass is chipped or broken, stop using the product and replace with new tempered glass.

- Do not place extremely hot or cold items on, against or in close proximity to the glass surface unless an adequate protective material is used to prevent such items from coming into contact with the glass.
- Do not sit or stand upon the glass surface.
- Do not use the glass as a chopping surface. Do not strike the glass with hard or pointed items.
- Do not use washing powders or any other substances containing abrasive as these products may scratch glass.
- There is no warranty on glass table tops.
- Please take care when moving the table, it should always be lifted to be moved.
- Please take care when placing any heavy items on the table.

CLEAN AND CARE

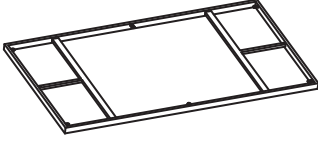

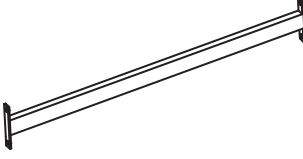
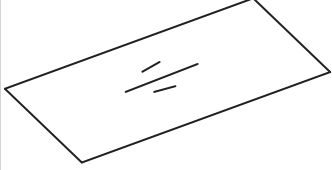
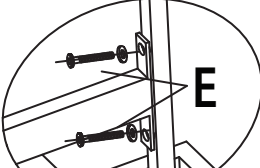


Periodically ensure all the screws and fixings are secure and the item is stable.

Damp wipe only and dry naturally.

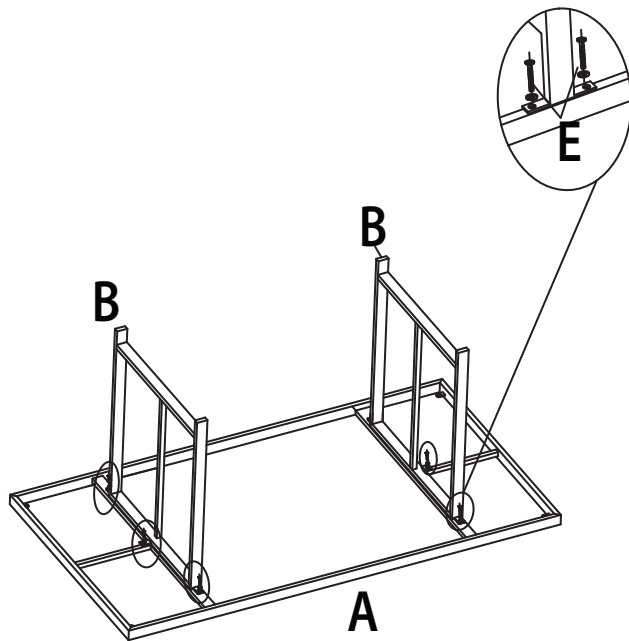
We advise covering up or storing away your furniture when not in use to protect it from the elements.



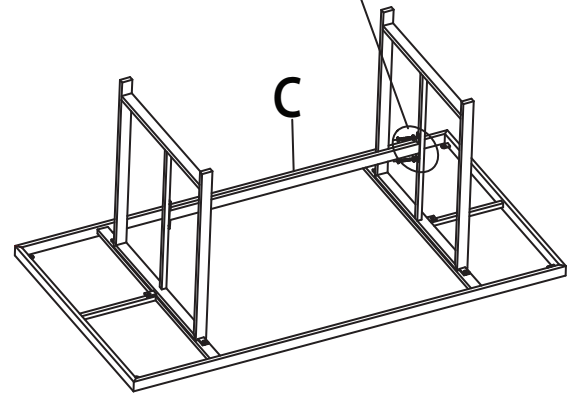
TABLE

A	1PC	B	2PCS	C	1PC	D	1PC
							
E	M6*15 10PCS	F	1PC				
							

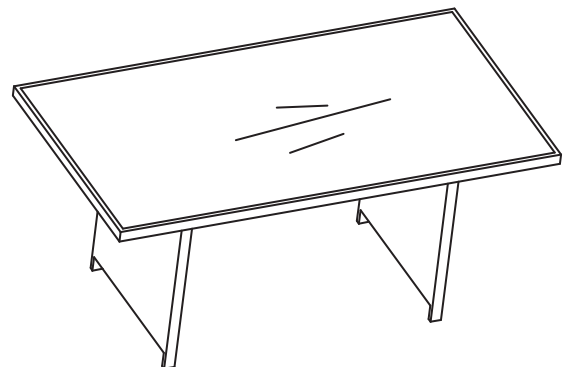
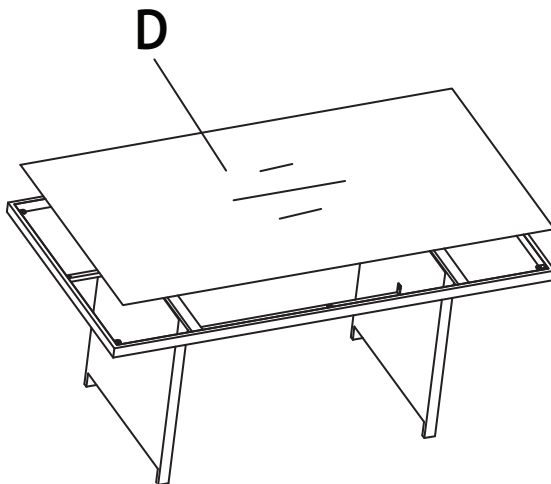
(1)



(2)



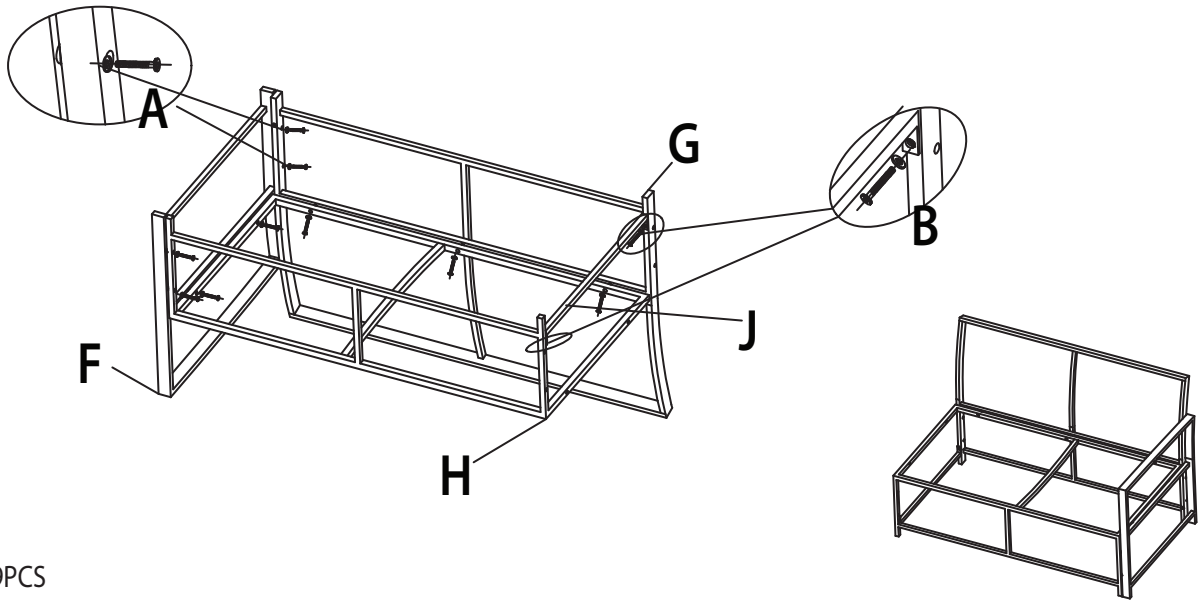
(3)



CORNER SOFA & FOOT STOOL

A	M6*35	27PCS	B	M6*15	6PCS	C		20PCS	D		1PC
E		1PC	F		1PC	G		3PCS	H		3PCS
I		1PC	J		3PCS	K		2PCS	L		4PCS
M		4PCS									
(1)											
M6*35			9PCS								
M6*15			2PCS								

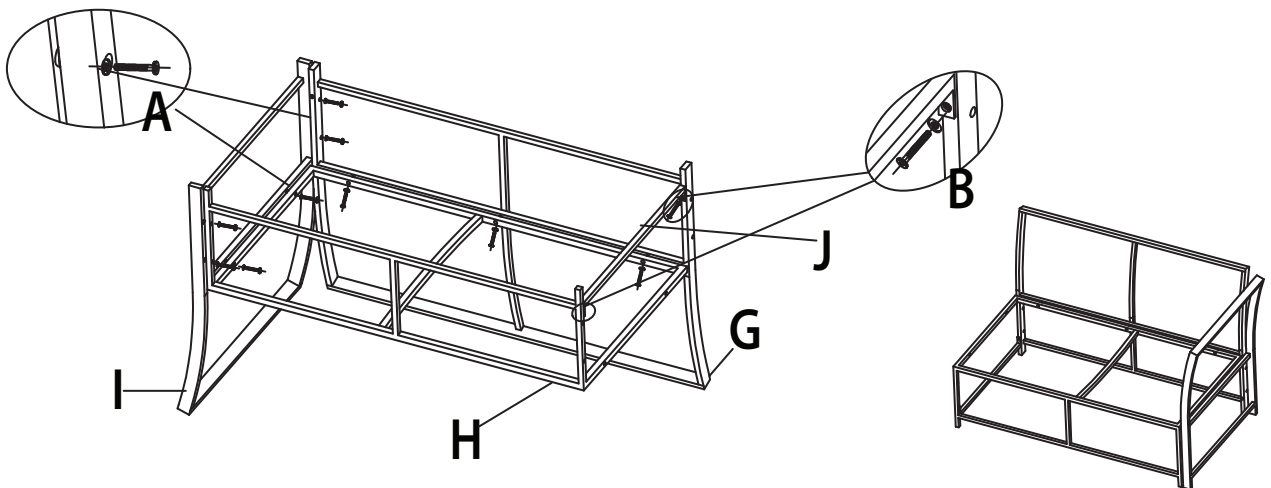
(2)



M6*35 9PCS

M6*15 2PCS

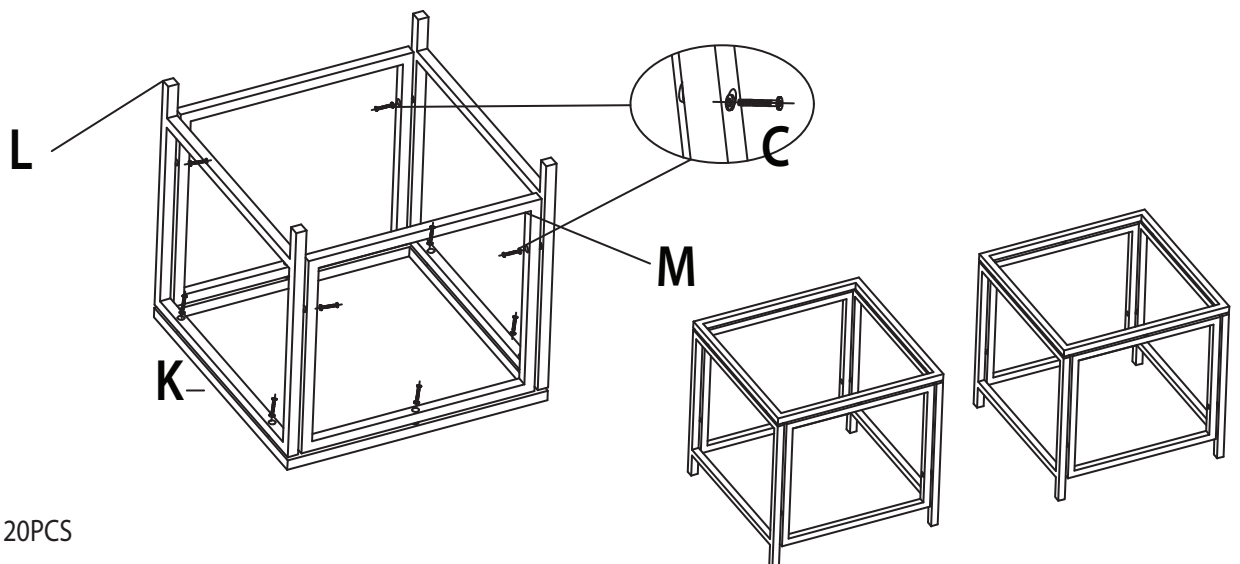
(3)



M6*35 9PCS

M6*15 2PCS

(4)



M6*30 20PCS