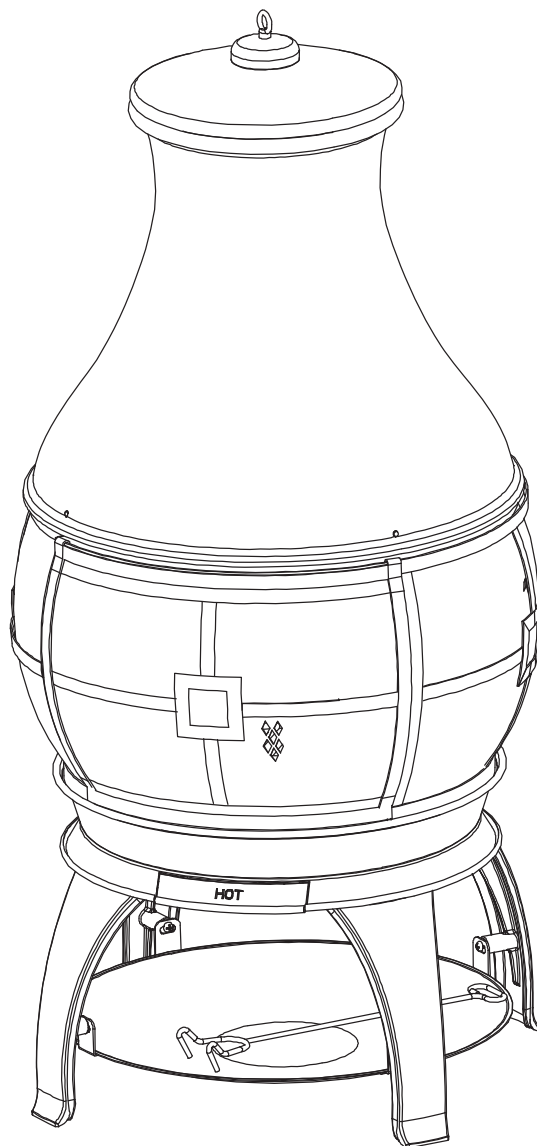


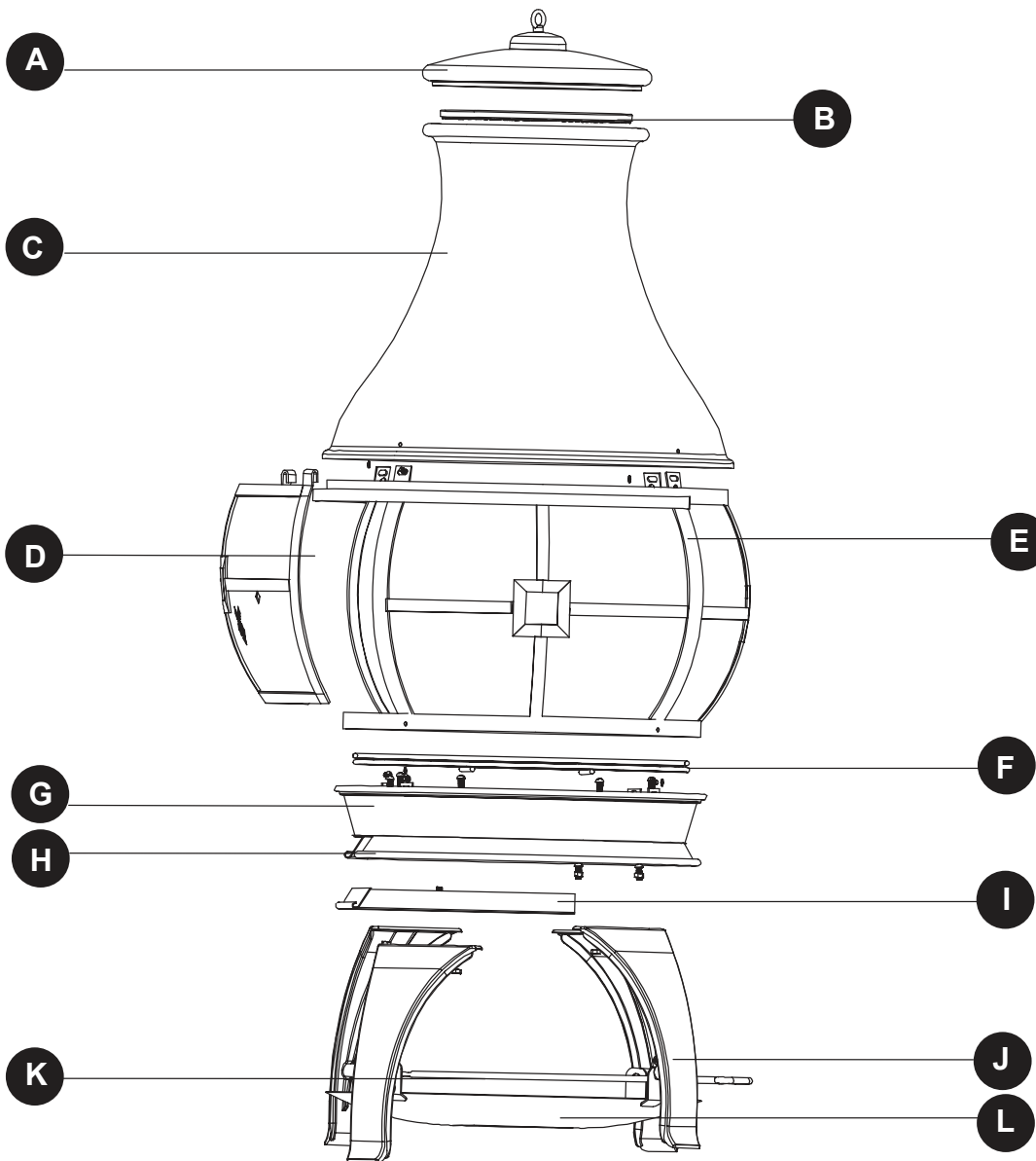
BIGHORN[®]

CHIMENEA

MODEL NO.: SRCH06D



PACKAGE CONTENTS

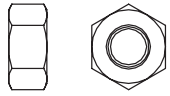


PART	DESCRIPTION	QUANTITY
A	Chimney cap	1
B	Chimney mesh cover	1
C	Chimney body	1
D	Sliding door assembly	1
E	Screen assembly	1
F	Charcoal grid	2
G	Upper stove assembly	1

PART	DESCRIPTION	QUANTITY
H	Lower stove bowl	1
I	Ash tray assembly	1
J	Leg	4
K	Poker	1
L	Log rack assembly	1

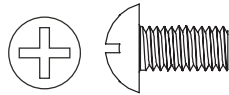
HARDWARE CONTENTS (shown actual size)

AA



Nut
(Preassembled)
Qty. 16

BB



M6 x 12 mm Bolt
Qty. 4

CC



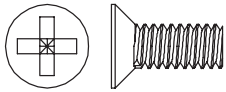
Washer
Qty. 20
(16 Preassembled)

DD



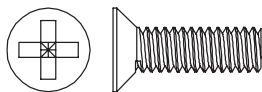
Spring Washer
(Preassembled)
Qty. 16

EE



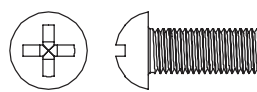
M6 x 15 mm
Flat Bolt
Qty. 4

FF



M6 x 20 mm
Flat Bolt
Qty. 4

GG



M6 x 15 mm Bolt
Qty. 8

SAFETY INFORMATION

Please read and understand this entire manual before attempting to assemble, operate or install the product.

WARNING:

- The chimenea is intended for outdoor use only. Keep it at least 12 inches/30.5cm from walls and 36 inches/ 91.4cm from an overhang. Do not use on wooden decks.
- The chimenea is intended to burn wood logs only. Do not burn coal, leaves or other combustibles.
- For adult use only. Keep children and pets away from chimenea.
- The chimenea is hot, use with caution. Never touch a hot chimenea with bare hands. Never leave burning chimenea unattended, and always extinguish fire completely when finished with the chimenea.
- Do not use near flammable or combustible objects or materials.
- The grid is not intended for cooking and should not be used for this purpose.
- The handle of the tools may become hot during and after use.

PREPARATION

Suggest two people assemble this product.

Before assembling product, make sure all parts are present. Compare parts with package contents list and hardware contents above. If any part is missing or damaged, do not attempt to assemble the product.

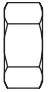






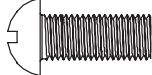
Estimated assembly time: 20 minutes

Tools required for assembly (not included): Phillips screwdriver, 3/8 in. wrench.

ASSEMBLY INSTRUCTIONS

1. Remove nuts (AA), washers (CC) and spring washers (DD) from M6 x 15 mm bolts (GG). Line up the upper stove assembly (G) and lower stove bowl (H). Position the legs (J) beneath bowl (H) and attach using M6 x 15 mm bolts (GG), nuts (AA), washers (CC) and spring washers (DD).

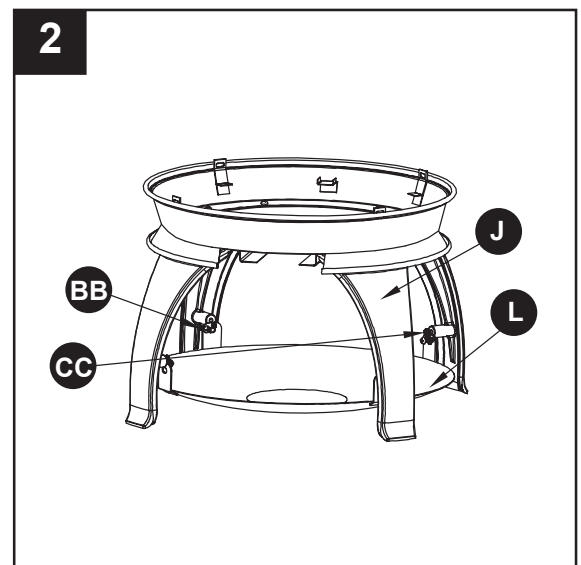
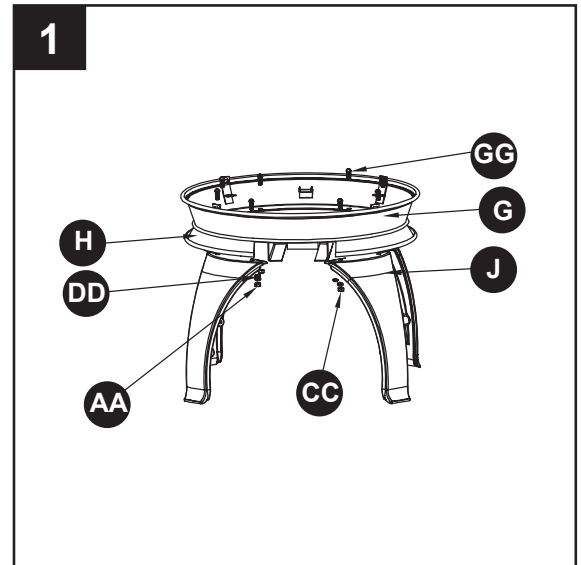
Hardware Used

AA	Nut			x 8
CC	Washer			x 8
DD	Spring Washer			x 8
GG	M6 x 15 mm Bolt			x 8

2. Place log rack assembly (L) in the center of unit and attach to legs (J) with M6 x 12 mm bolts (BB) and washers (CC).

Hardware Used








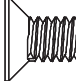
BB	M6 x 12 mm Bolt			x 4
CC	Washer			x 4



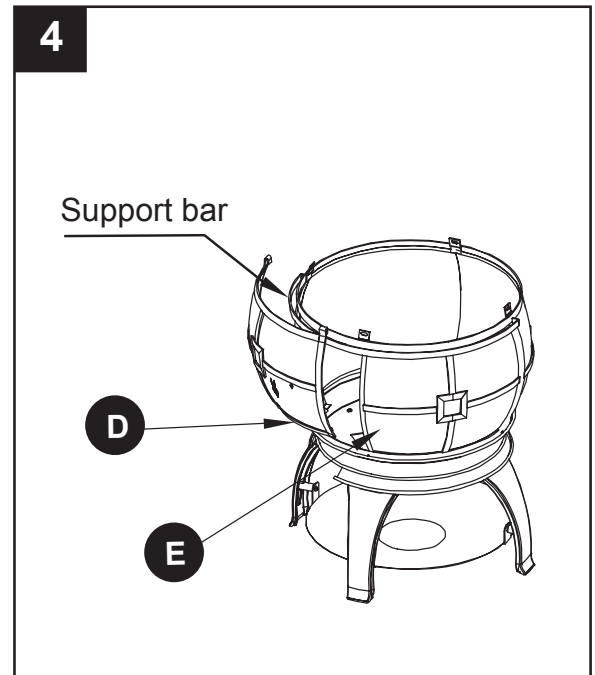
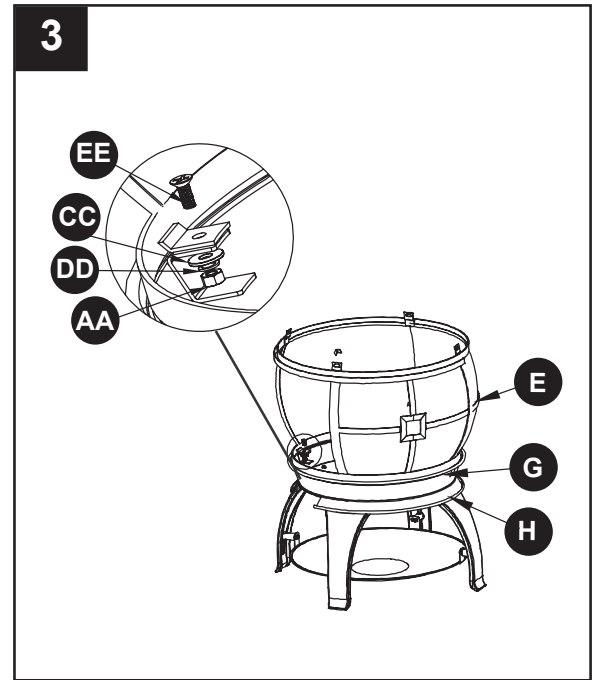
ASSEMBLY INSTRUCTIONS

3. Remove nuts (AA), washers (CC) and spring washers (DD) from M6 x 15 mm flat bolts (EE). Align the door of screen assembly (E) and gap of lower stove bowl (H). Attach the smaller end of screen assembly (E) onto upper stove assembly (G) with washers (CC), spring washers (DD), nuts (AA), and M6 x 15 mm flat bolts (EE).

Hardware Used

AA	Nut			x 4
CC	Washer			x 4
DD	Spring Washer			x 4
EE	M6 x 15 mm Flat Bolt			x 4

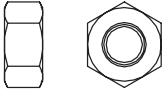

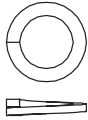
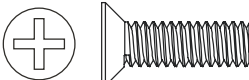
4. Hang the sliding door assembly (D) onto support bar of screen assembly (E).

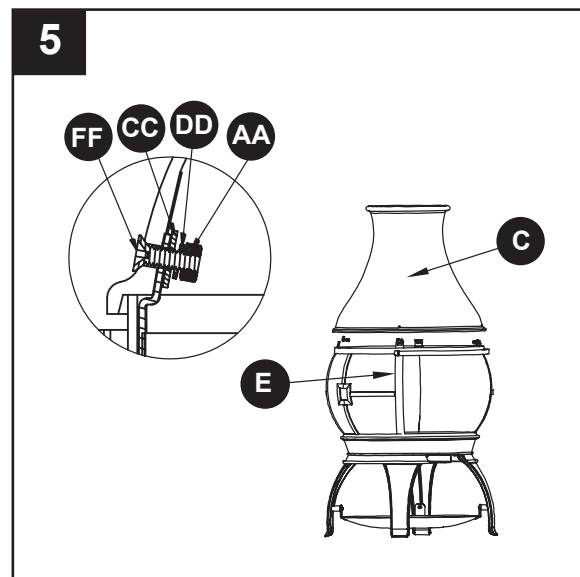


ASSEMBLY INSTRUCTIONS

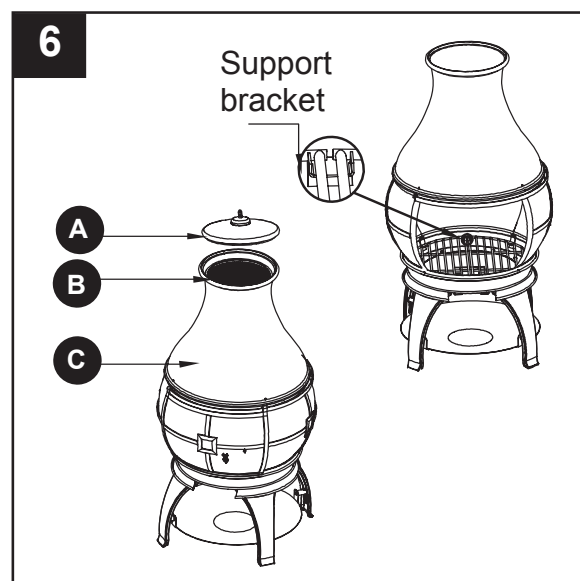
5. Remove nuts (AA), washers (CC) and spring washers (DD) from M6 x 20 mm flat bolts (FF). Attach chimney body (C) on the top of screen assembly (E) with washers (CC), spring washers (DD), M6 x 20 mm flat bolts (FF) and nuts (AA).

Hardware Used

AA Nut		x 4
CC Washer		x 4
DD Spring Washer		x 4
FF M6 x 20 mm Flat Bolt		x 4

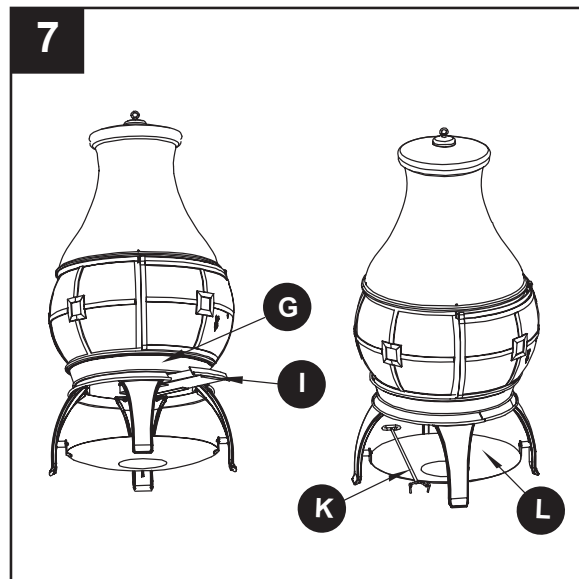


6. Place the charcoal grid (F) in upper stove assembly (G) and attach it onto the support bracket. Then place chimney mesh cover (B) and chimney cap (A) on top of chimney body (C).



ASSEMBLY INSTRUCTIONS

7. Insert the ash tray assembly (I) into the track on upper stove assembly (G).
Place the poker (K) on the log rack assembly (L).



LIGHTING INSTRUCTIONS

1. Open the sliding door using the poker, and put the log(s) (less than 1.8kg) on the charcoal grid. (NOTE: Make sure log does not extend to the charcoal grid edge, and the log height does not extend 35.6cm. The fire height should not extend 3/4 the height of screen.)
2. Light dry wood chips under logs. Close the sliding door with poker.

CARE AND MAINTENANCE

Inspecting

Inspect this chimenea on a regular basis to ensure product safety and longer product life.

DO NOT attempt to inspect this outdoor chimenea until the fire is COMPLETELY out and cooled down.

1. Check handles to make sure they are secure.
2. Check components for any signs of damage or rust.
3. If you detect damage to any component, do not operate until you make repairs.

Cleaning

Make sure the fire is completely out when you are no longer using the chimenea.

Make sure the fire is completely out before you clean the ash tray. Sweep the ash into the ash tray, pull ash tray out and empty it.

Use a damp cotton cloth to remove the smoke stain from the mesh cover and chimney cap.

Clean this outdoor chimenea on a regular basis to promote safer experiences and longer product life.

Note: After repeated use, the finish may become discolored.

DO NOT attempt to clean this outdoor chimenea until the fire is COMPLETELY out and cooled down.

DO NOT use oven cleaner or abrasive cleaners as they will damage this product.

DO NOT clean any part of this outdoor chimenea in a self-cleaning oven as it may damage the finish.

1. Wipe exterior surface with a mild dishwashing detergent or baking soda.
2. For stubborn surface stains use a citrus-based degreaser and a nylon scrubbing brush.
3. Rinse clean with water.
4. Remove built-up creosote from components with a chimenea cleaning product.

Storage

DO NOT move or store this outdoor chimenea until the fire is COMPLETELY out and cooled down.

1. Once the fire is out, (coals are cold and outdoor chimenea is cool to touch), remove ashes and properly dispose.
2. Cover outdoor chimenea with the PVC cover (not included).
3. Store assembled in a location away from children and pets.

Note: If you do not use a cover, store this outdoor chimenea in a dry location to maximize product life.