

XIONGLIDECO LTD		
Item No. 商品编号:	PLU-083908 Santana Brown Rattan Table	
Display Size 展示尺寸:	---	
Blank Size 纸张尺寸:	297(H) x 210(W)mm	3 Pages
Color 颜色:	■ 100K	■ Diecut
Material 材质:	Assembly Instruction	
Finishing 表面处理:	Matt Paper	
Revise version 版本:	---	
Date 日期:	09-10-2019	
Designer 设计师:	Tom	
Remark 备注:	---	

size : 21 X 29.7 cm



**SANTONA BROWN RATTAN TABLE
PLU-083908
Assembly Instructions**

IMPORTANT: RETAIN THIS INSTRUCTION FOR FUTURE REFERENCE. PLEASE READ CAREFULLY.

WARNING

This item is for domestic use only.
Maximum Loading Capacity is 100kg per chair and 40kg for table.
This table is not intended to support a parasol without using a parasol base (not included).
Two people are required to assemble this item. Assemble this item on a flat, solid and even surface.
Make sure that all the necessary pieces are in the carton before starting the assembly.
The glass in this product is tempered glass.

If the glass is chipped or broken, stop using the product and replace with tempered glass.

- Always use an adequately thick insulating material to prevent any extremely hot or extremely cold items coming into contact with the glass.
- Do not sit or stand on the glass surface.
- Do not use the glass as a chopping surface. Do not strike the glass with hard or pointed items.
- When cleaning glass panels use a damp cloth or shammy leather with washing up liquid or soft soap.
- Do not use washing powders or any other substances containing abrasives since these products may scratch glass.
- There is no warranty on glass table tops.
- Please take care when moving the table, it should always be lifted to be moved.
- Please take care when placing any heavy items on the table.
- Always remove any parasol before moving the table, during windy conditions, and when the table is not in use.

CLEAN AND CARE

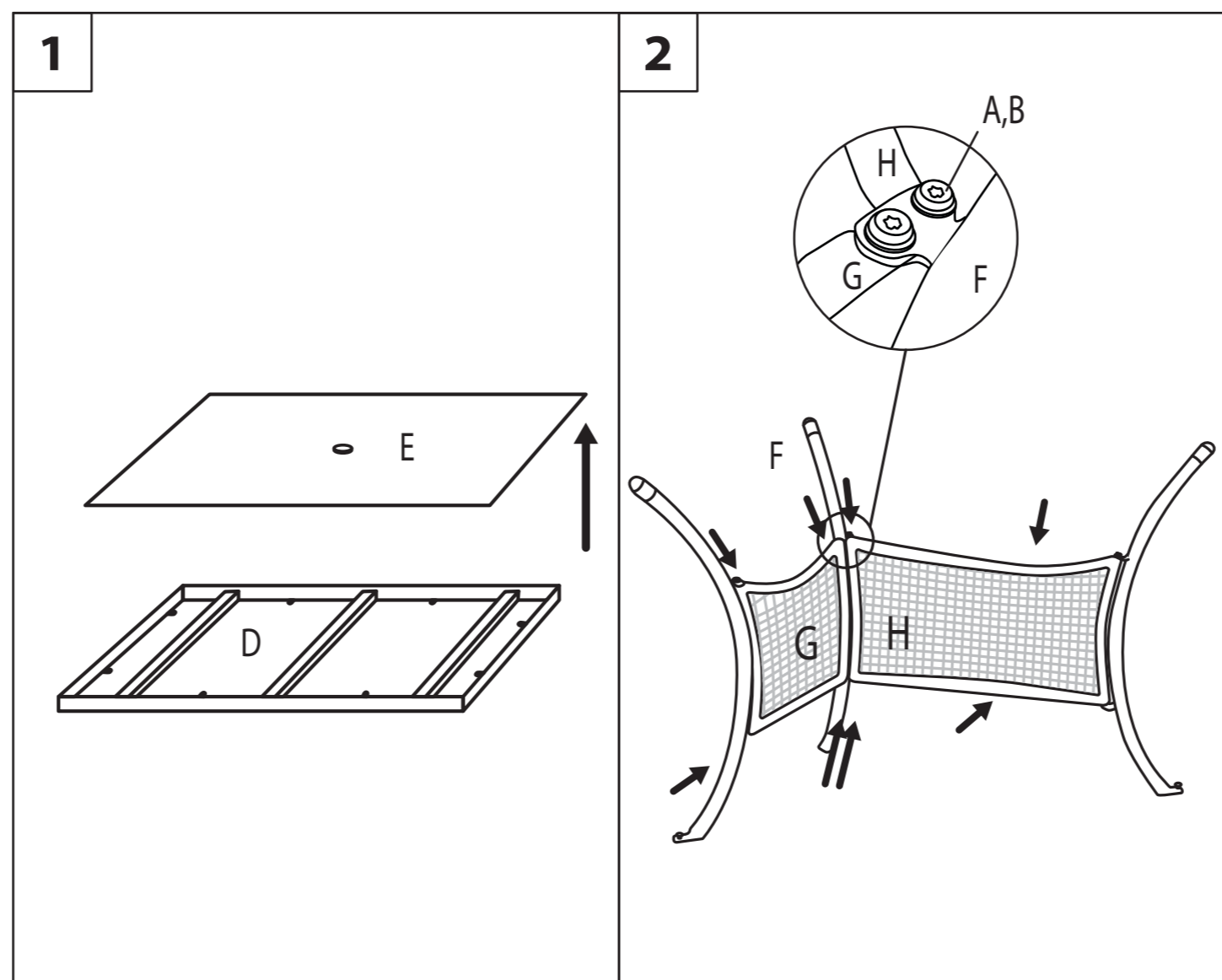
- Do not use in adverse weather conditions (especially high winds).
- Damp wipe only and dry naturally.
- Please ensure furniture is dry before storing.
- Periodically ensure all the screws and fixings are secure and the item is stable.
- We strongly advise covering up or storing away your furniture when not in use to protect it from the elements.
- Keep away from fire.
- Please store all cushions indoor when not in use.

Please retain your receipt as proof of purchase.



size : 21 X 29.7 cm

Table Part List											
A	M6*15	20PCS	B	Washer	20PCS	C	Allen Key	1PCS	D	Table Top	1PCS
E	Glass	1PC	F	Leg	1PC	G	Side Panel	2PCS	H	Side Panel	2PCS



size : 21 X 29.7 cm

