

# OWNER'S MANUAL

## READ BEFORE USE!



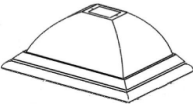

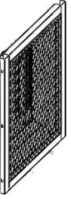
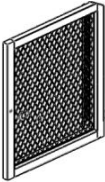

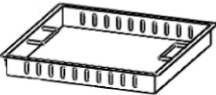
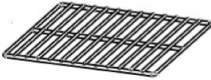
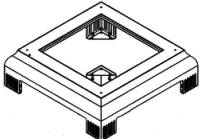

PRODUCT NAME: ALMERIA PALACE FIREPIT






### WARNINGS:

- This fireplace is intended for outdoor use only. Do not use on wooden decks.
- This fireplace is intended to burn wood logs only. Do not burn coal, leaves, or other combustible materials in the fireplace.
- Not for use by children. Keep children and pets away from the fireplace.
- The fire pit is hot. Use with caution. Do not touch the hot fireplace with bare hands.
- Never leave the burning fireplace unattended, and always extinguish the fire completely before leaving the fireplace.
- Do not use near flammable or combustible objects or materials.
- When the fireplace is in use, the handle on the mesh screen and door can reach extreme temperatures that can cause serious injury to an unprotected hand. Use a poker or an appropriate heat resistant glove or pad when handling.
- Check local fire regulations and municipal by-laws for safe use.

## PARTS LIST

DESCRIPTION	DRAWING	QTY
(1) FINIAL		1 PC
(2) CAP		1 PC
(3) ROOF		1 PC
(4) SIDE SPARK GUARD		2 PCS
(5) BACK SPARK GUARD		1 PC
(6) DOOR		1 PC
(7) DOOR HANDLE		1 SET
(8) ASH PAN		1 PC
(9) GRATE		1 PC
(10) BASE		1 PC
(11) POKER		1 PC

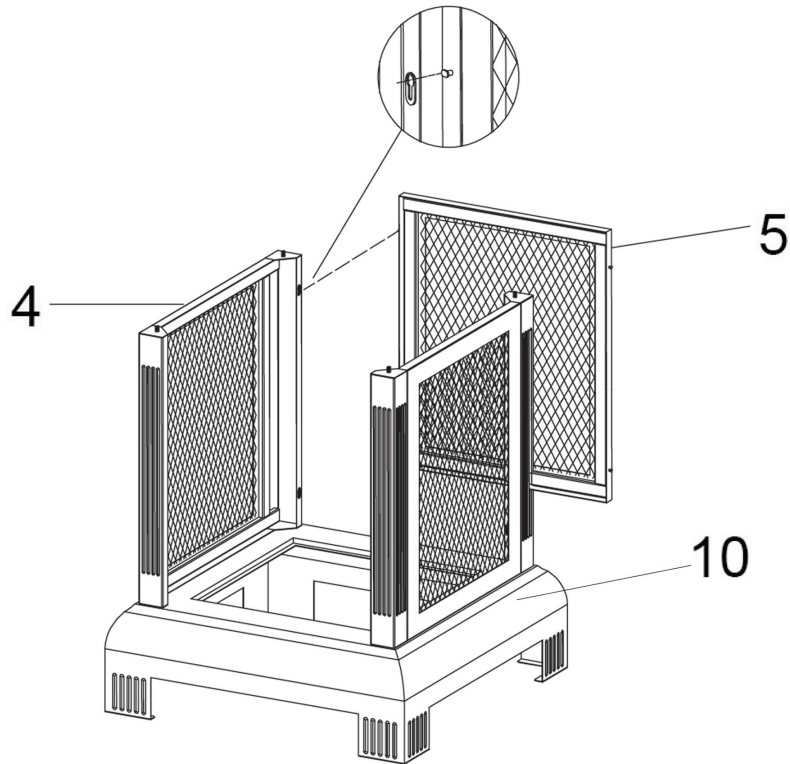
DESCRIPTION	DRAWING	QTY
A. SCREW (M5 X 10)		2 PCS
B. PIN (M8X22)		1 PC
C. WING NUT (M6)		8 PCS



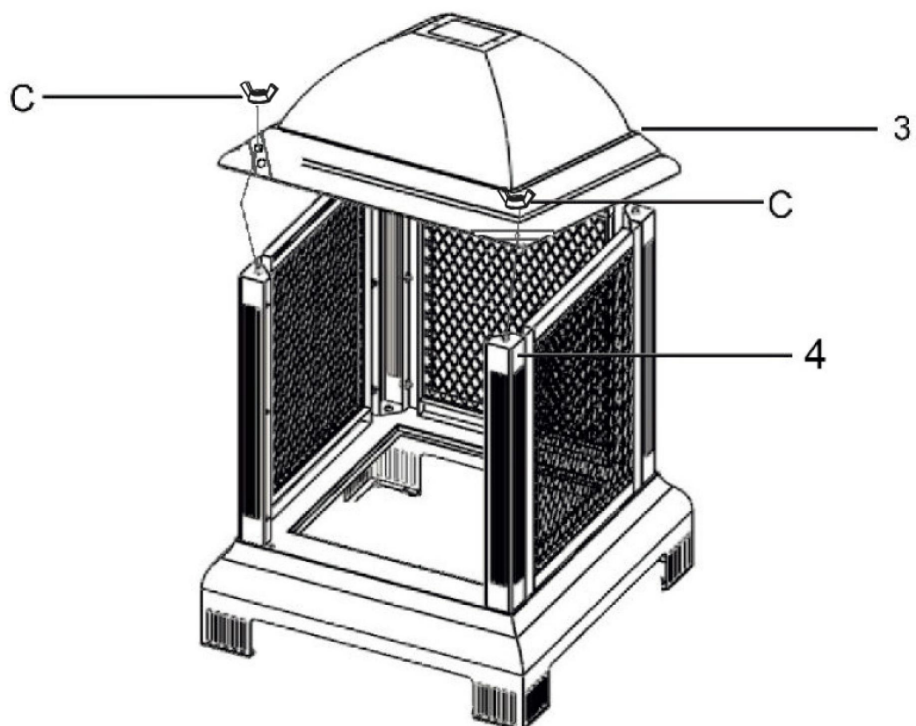
**Step By Step Assembly Instructions:**

**Step 1: Choose a level location for assembly. Remove all parts from packaging, check parts list for missing parts.**

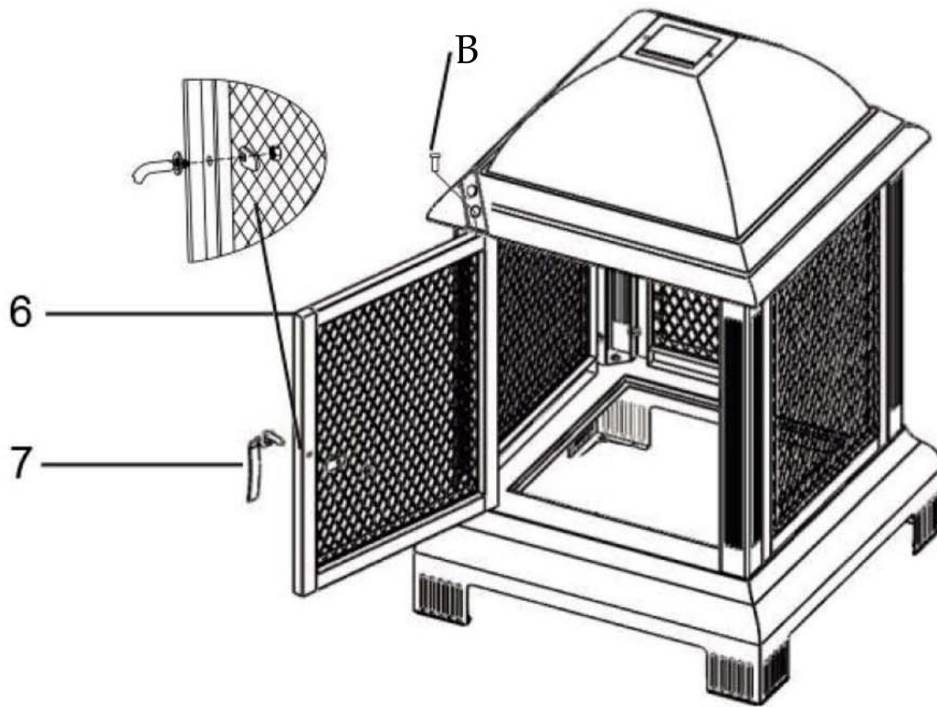
**Step 2: Assemble side spark guard (4) on the base (10) by using nut (C). Assemble back spark guard (5) on the side spark guard (4).**



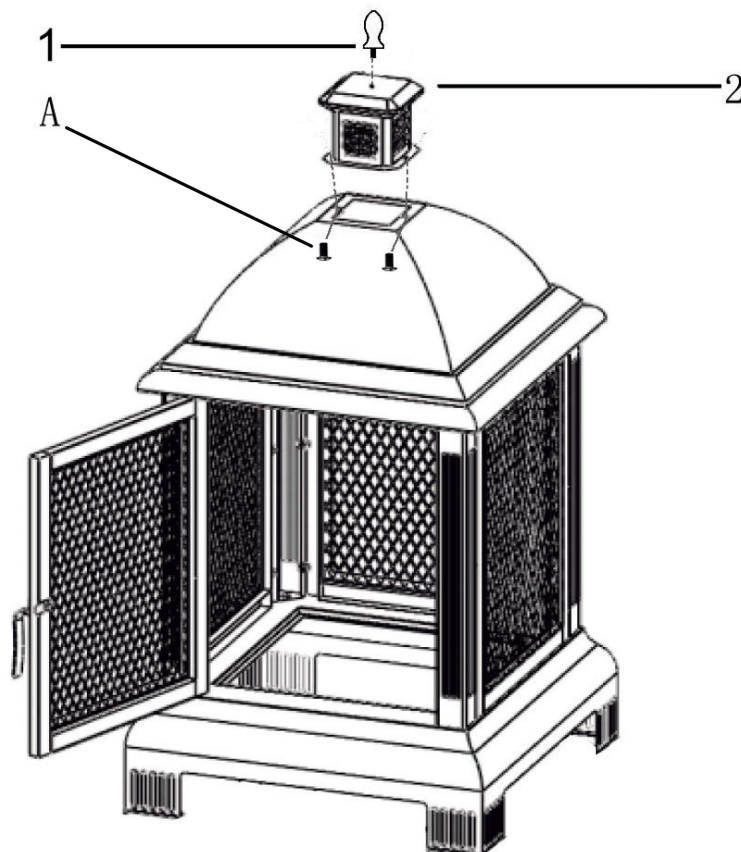
**Step 3: Assemble roof (3) to the pillar nut (C).**



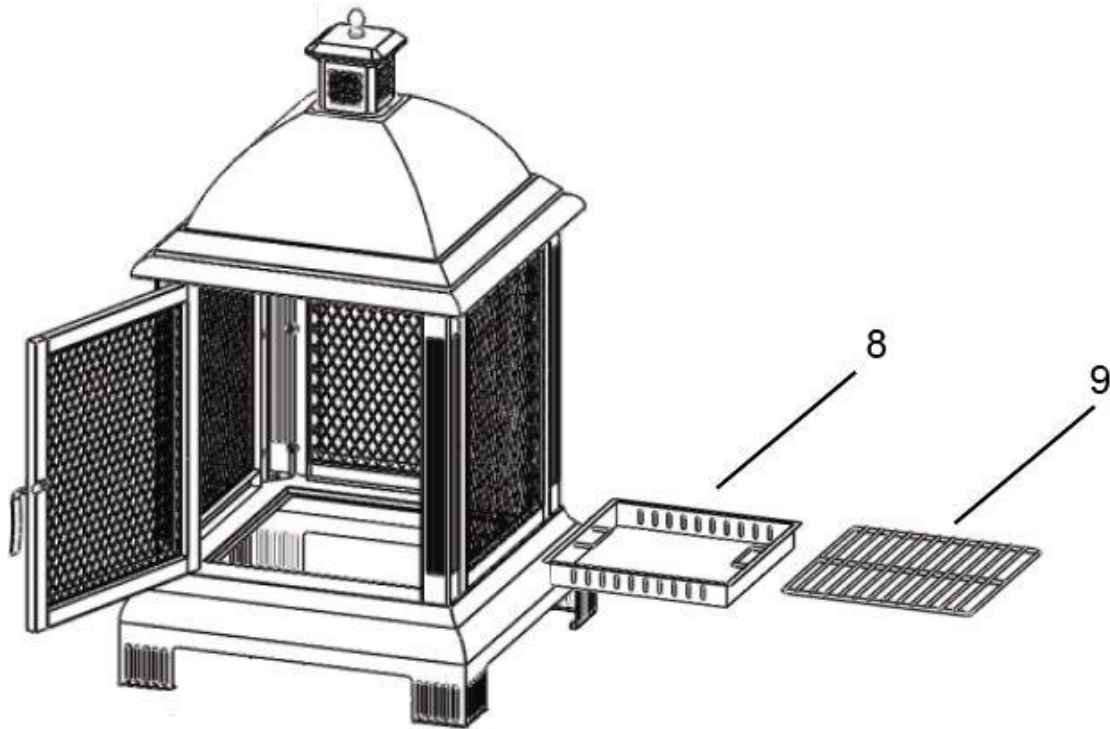
**Step 4: Assemble door handle (7) on the door (6), then insert pin (B) inside the left corner of the roof. Pay attention to the hole near the left pillar on the base and install the door on the base (10).**



**Step 5: Assembly the cap (2) on the roof (3) by using screw A and nut B. Then assembly the finial (1) on the cap.**



**Step 6: Place the ash pan (8) and charcoal grate (9) on base (10).**



**Now you can enjoy your time with our fire pit!**