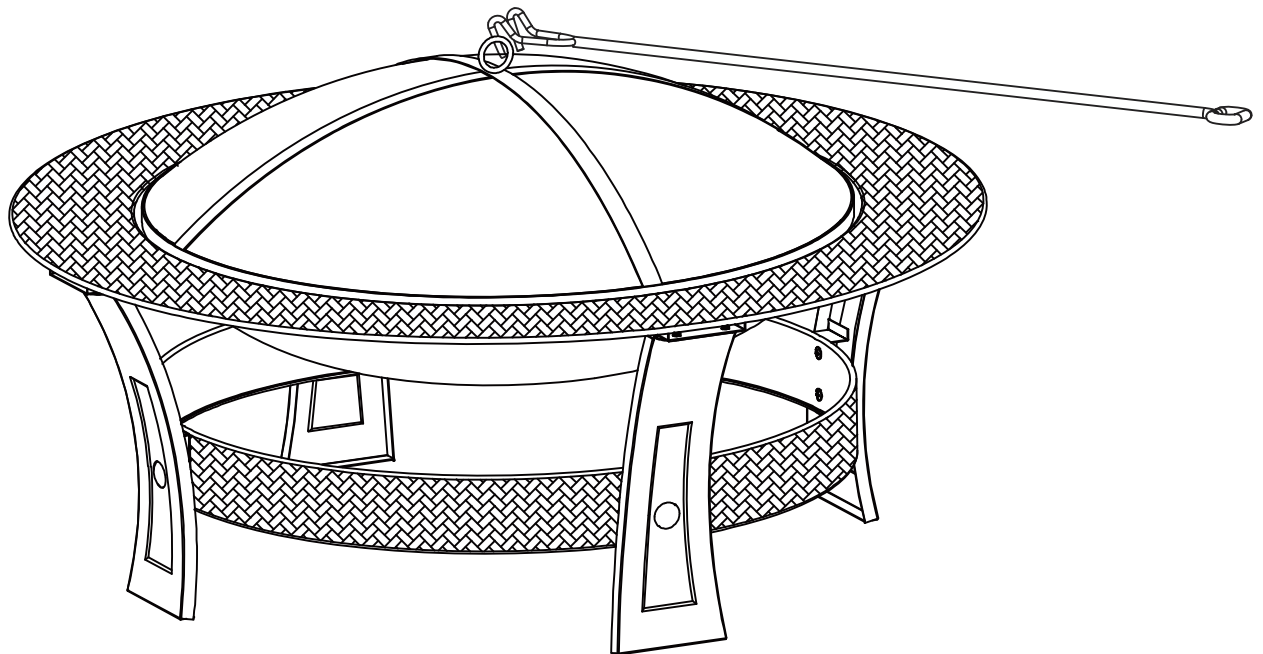


Master *Cook*

Dia 89cm Round Firepit

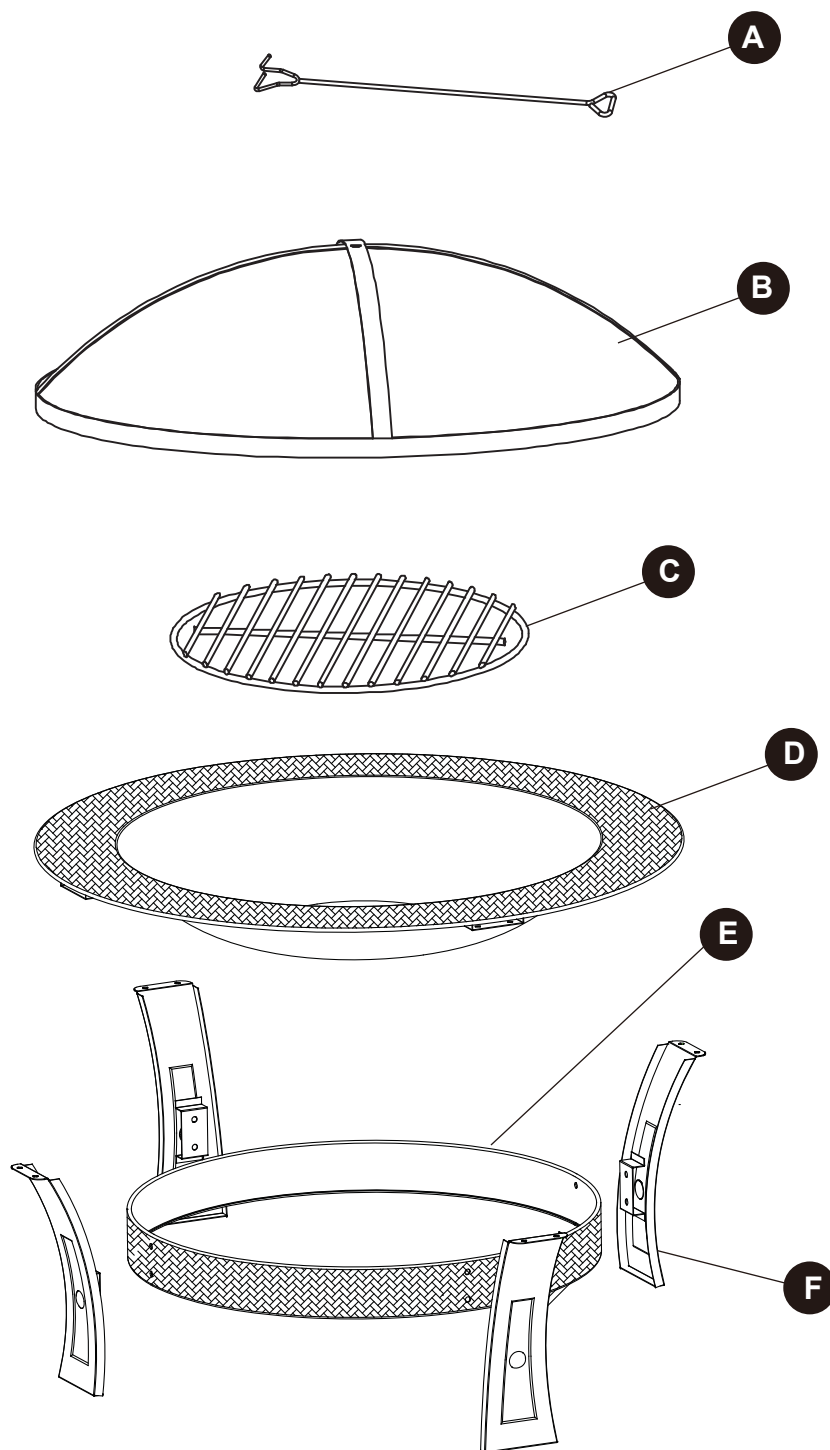
Instruction Manual

Model # SRFP11406



Please keep this instruction manual for future reference

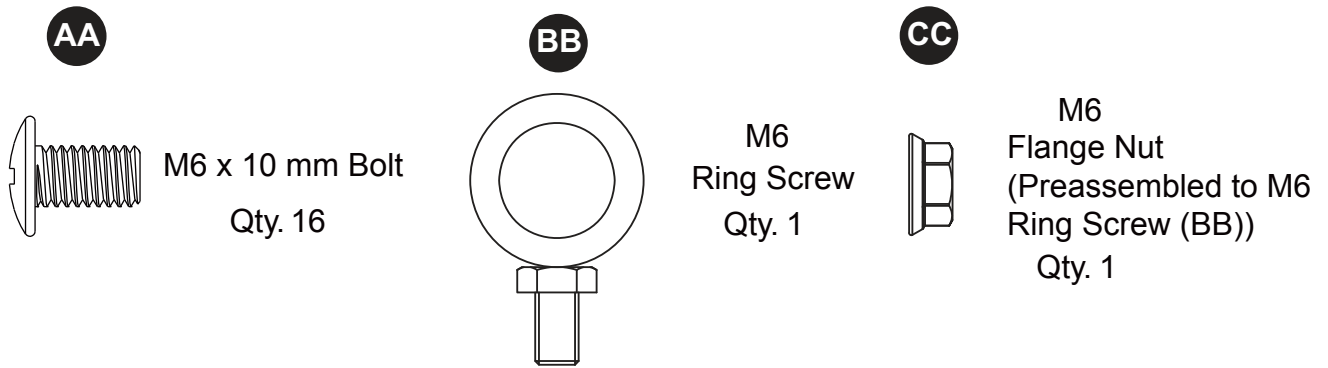
PACKAGE CONTENTS



PART	DESCRIPTION	QUANTITY
A	Screen hook	1
B	Screen	1
C	Charcoal grid	1
D	Fire bowl	1

PART	DESCRIPTION	QUANTITY
E	Leg support ring	1
F	Leg	4

HARDWARE CONTENTS (shown actual size)



SAFETY INFORMATION

Please read and understand this entire manual before attempting to assemble, operate or install the product.

WARNING:

- FOR OUTDOOR USE ONLY.
- Do not use the fire pit indoors. Carbon monoxide fumes, due to lack of ventilation, can cause death.
- Do not use gasoline or kerosene to start fires in the fire pit. Keep all flammable liquids away from the fire pit.
- This unit is designed to burn charcoal and untreated wood only. Fill the bottom of the bowl with sand until the surface of sand is 0.5cm below the grid.
- Do not use under or on combustible structures/surfaces including wooden decks.
- Use protective gloves and long-handled tools with this fire pit.
- Dispose of packaging materials properly.
- Keep children away from hot fire pit.
- Fire pit remains very hot for a period of time after using.
- Be sure fire pit is cool before attempting to move it.
- Do not place the PVC cover too close to fire pit when it's burning.
- Do not let hot or burning debris from the fire get inside the PVC cover.
- Do not burn more than 0.7kg of charcoal or 1.4kgs of untreated wood at one time.
- The handles of the tools may become hot during and after use. The fire pit should be placed no closer than 61cm from walls during use.
- Don't touch the ash tray handle during use until the fire is completely out and cooled down.

CAUTION: Assemble the fire pit on a non-abrasive surface.

PREPARATION

Before assembling product, make sure all parts are present. Compare parts with package contents list and hardware contents list. If any part is missing or damaged, do not attempt to assemble the product.

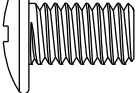
Estimated Assembly Time: 15 minutes

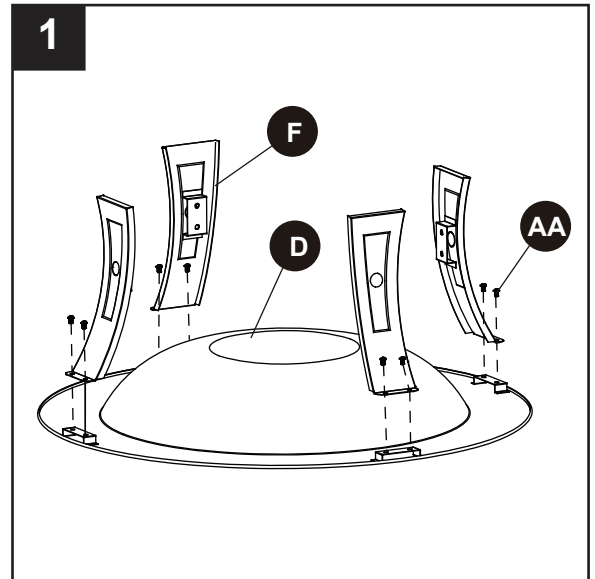
Tools required for assembly (not included): Phillips screwdriver.

ASSEMBLY INSTRUCTIONS

1. Remove eight M6 x 10 mm bolts (AA) from the fire bowl (D). Place the fire bowl (D) upside down and attach the legs (F) to the fire bowl (D) with eight M6 x 10 mm bolts (AA).
Note: Hand-tighten bolts only.

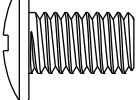
Hardware Used

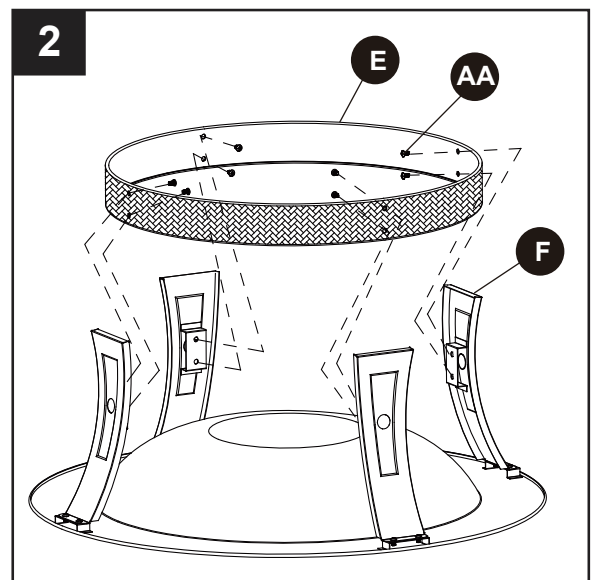
- AA** M6 x 10 mm Bolt  x 8



2. Remove eight M6 x 10 mm bolts (AA) from the legs (F). Attach leg support ring (E) to the legs (F) with eight M6 x 10 mm bolts (AA).
Note: Hand-tighten bolts only until the leg support ring is completely assembled, then tighten all bolts from steps 1 and 2.

Hardware Used

- AA** M6 x 10 mm Bolt  x 8

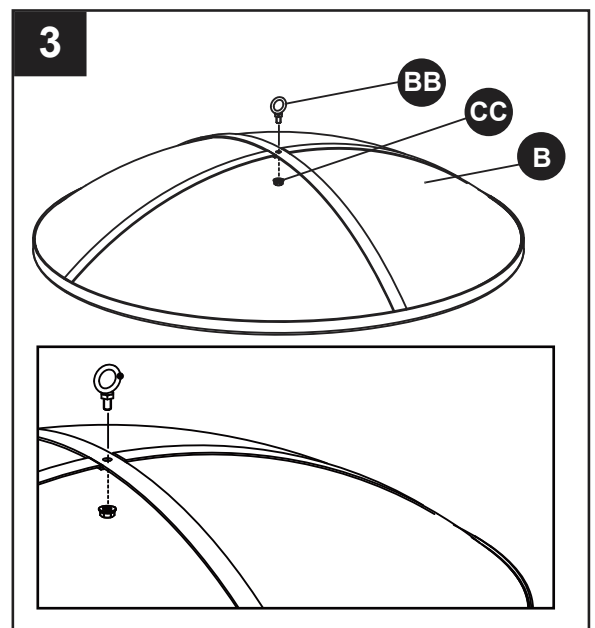


3. Remove M6 flange nut (CC) from M6 ring screw (BB). Attach M6 ring screw (BB) to the top of the screen (B), then secure with M6 flange nut (CC).

Hardware Used

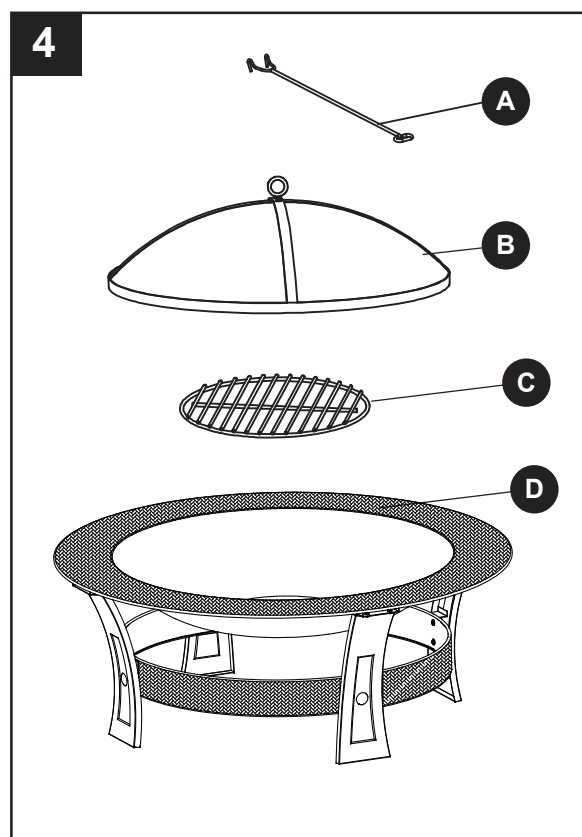
- BB** M6 Ring Screw  x 1

- CC** M6 Flange Nut  x 1



ASSEMBLY INSTRUCTIONS

4. Place charcoal grid (C) on top of fire bowl (D), followed by screen (B) and screen hook (A).



CARE AND MAINTENANCE

Inspecting

Inspect this fire pit on a regular basis to ensure product safety and longer product life.

DO NOT attempt to inspect this outdoor fire pit until the fire is COMPLETELY out and cooled down.

- Check handles to make sure they are secure.
- Check components for any signs of damage or rust.
- If any component is damaged, do not operate until repairs are made.

Cleaning

Clean this outdoor fire pit on a regular basis to promote safer use and longer product life.

Note: After repeated use, the finish may discolor slightly.

DO NOT attempt to clean this outdoor fire pit until the fire is COMPLETELY out and cooled down.

DO NOT use oven cleaner or abrasive cleaners as they will damage this product.

DO NOT clean any part of this outdoor fire pit in a self-cleaning oven as it may damage this finish.

- Wipe exterior surfaces with a mild dishwashing detergent or baking soda.
- For stubborn surfaces, use a citrus-based degreaser and a nylon scrubbing brush.
- Rinse clean with water.
- Remove built-up creosote from components with a chimney cleaning product.

Storage

DO NOT move or store this outdoor fire pit until the fire is COMPLETELY out and cooled down.

- Once the fire is out, coals are cold and outdoor fire pit is cool to touch, remove ashes and properly dispose.
- Cover outdoor fire pit with the PVC cover.
- Store assembled in a location away from children and pets.

Note: If you do not use a cover, store this outdoor fire pit in a dry location to maximize product life.