

OUTDOOR PATIO HEATER

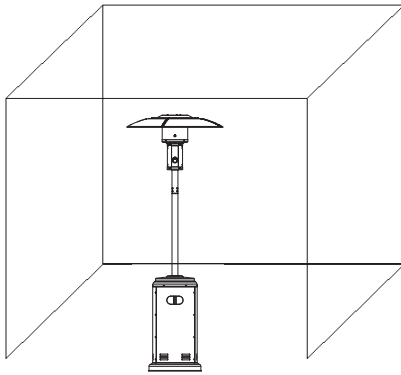
Model No.: SRPH93

CE XXXX-YY

Keep the instructions for future reference.

WARNING

1. For use outdoors or in amply ventilated areas.
2. An amply ventilated area must have a minimum of 25% of the surface area open.
3. The surface area is the sum of the walls surface.
4. This appliance is not fitted with "Atmosphere sensing device"



WARNING: The use of this appliance in enclosed areas can be dangerous and is PROHIBITED.

WARNING: Read the instructions before installation and use.

Warning: This appliance must be installed and the gas cylinder stored in accordance with the regulations in force.

Warning: Use only the type of gas and the type of cylinder specified in these instructions.

Warning: Do not obstruct the ventilation holes of the cylinder housing.

Warning: In case of violent wind particular attention must be taken against tilting of the appliance.

Warning: Do not move the appliance when in operation.

Warning: Shut off the valve at the gas cylinder or the regulator before moving the appliance.

Warning: The tubing or the flexible hose must be changed within the prescribed intervals.

Warning: Do not connect the gas cylinder directly to the appliance without regulator.

Technical data

Country	Category	Nominal heat input(Hs)	Gas consumption	Injector diameter(Ø)	Gas & Pressure
<input type="checkbox"/> AT <input type="checkbox"/> CH <input type="checkbox"/> DE <input type="checkbox"/> SK	I _{3B/P(50)}	8.8 kW	640 g/h(G30)	1.3 mm	G30 Butane and G31 Propane at 50mbar
<input type="checkbox"/> CY <input type="checkbox"/> DK <input type="checkbox"/> EE <input type="checkbox"/> FI <input type="checkbox"/> FR <input type="checkbox"/> HU <input type="checkbox"/> IT <input type="checkbox"/> LT <input type="checkbox"/> NL <input type="checkbox"/> NO <input type="checkbox"/> SE <input type="checkbox"/> SI <input type="checkbox"/> SK <input type="checkbox"/> RO <input type="checkbox"/> HR <input type="checkbox"/> TR <input type="checkbox"/> BG <input type="checkbox"/> IS <input type="checkbox"/> LU <input type="checkbox"/> MT	I _{3B/P(30)}	8.8 kW	640 g/h(G30)	1.5 mm	G30 Butane and G31 Propane at 30mbar
<input type="checkbox"/> BE <input type="checkbox"/> CH <input type="checkbox"/> CY <input type="checkbox"/> CZ <input type="checkbox"/> ES <input type="checkbox"/> FR <input type="checkbox"/> GB <input type="checkbox"/> GR <input type="checkbox"/> IE <input type="checkbox"/> IT <input type="checkbox"/> LT <input type="checkbox"/> LU <input type="checkbox"/> LV <input type="checkbox"/> PT <input type="checkbox"/> SK <input type="checkbox"/> SI	I _{3+(28-30/37)}	8.8 kW	640 g/h (G30)	1.5 mm	G30 Butane at 28-30mbar and G31 Propane at 37mbar
<input type="checkbox"/> PL	I _{3B/P(37)}	8.8 kW	640 g/h (G30)	1.4 mm	G30 Butane and G31 Propane at 37mbar

Manufacturer:

SHINERICH INDUSTRIAL LIMITED
Address: 8/F, Noble Center, 1006 Fuzhong
3rd Road, Futian District, Shenzhen,GD
518026, CHINA
Phone: +86 - 755 - 8826 7676

For questions, replacement parts, service
help, or other assistance, please call
Distributor name
Address:
Email:

Number of people required to assemble

One people



Time to assemble




60 minutes

Assembly instructions


Find a large, clean area to assemble your appliance. Please refer to the parts list and assembly diagram as necessary.

Please use protective gloves when assembling this product.



To avoid losing any small component or hardware, assemble your product on a hard level surface that does not have cracks or openings.


 avoid damage to soft floor or carpet, do not assemble or move the appliance on soft floor or carpet.

Follow all steps in order to properly assemble your product.

Make sure all the plastic protection rip off  before assembling.

Do not force parts together as this can result in personal injury or damage to the product.

When applicable, tighten all hardware connections by hand first  once the step is completed, go back and full tighten  all hardware.

 Caution: Whilst every effort has made in manufacture of your appliance to remove any sharp edge, you should handle all components with care to avoid accidental injury.

Tools required



not supplied



not supplied

Further information


Important Notes:

LPG cylinder not provided. The appliance is designed to operate with a cylinder size no more than Ø31.8 x 58 cm.

This appliance requires a 15 kg butane LPG cylinder or a 13 kg propane LPG cylinder.


Gas regulator should be the correct one and be set according to specific gas category (see Technical data on page 3).

Gas regulator should be approved according to EN 16129:2013 with proper capacity (g/h), pressure, working temperature and inlet + outlet connection for the country of destination.

The regulator illustrated on the manual is for United Kingdom, the regulator in your country maybe different  the one on the illustration.

Flexible gas rubber pipe should be approved according to 16436-1:2014 with proper inner Ø to match pipe holders of gas circuit and gas regulator, pressure and working temperature.

The length of the hose is 1.5 m and it should not exceed 1.5 m. The hose shall be readily visible across its entire length for inspection after installation.

The injector in this appliance is not removable and the injector is only assembled by manufacturer. This appliance  is forbidden to convert from one gas pressure to another pressure.


Danger:

You must have the proper regulator and cylinder in order for the appliance to operate safely and efficiently. Use of an incorrect or faulty regulator is dangerous and will invalidate any warranty.

Connect LP Gas cylinder

Before connecting, be sure that there is no debris caught in the head of the LP tank, head of the regulator valve or in the head of the burner and burner ports.


Connect gas line to tank by turning knob clockwise until it stops, make sure that the tube is not subject to twisting.

After connecting to gas cylinder, a leak testing is necessary. 

Disconnect LP Gas cylinder

Before disconnecting make sure the LP gas tank valve in "CLOSED". Disconnect gas line from LP gas cylinder by turning knob counterclockwise until it is loose.

For storage and cylinder exchange, disconnect hose at the cylinder only, DO NOT disconnect hose from appliance.

To change the gas cylinder in an amply ventilated area, away from any ignition source (candle, cigarettes, other flame producing appliances...). 

Leak testing (to be performed in a well-ventilated area)

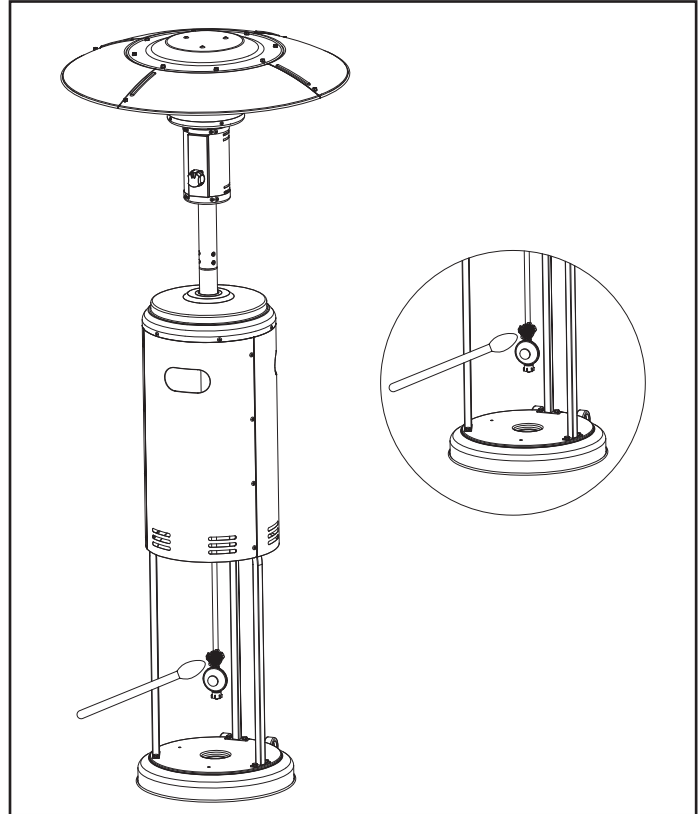
Your Outdoor Patio Heater has been checked for leaks at all the factory made connections. To check the connection of the gas hose/regulator/LPG cylinder

- 1) Make leak test solution by mixing 1 part washing up liquid and 3 parts water.
- 2) Spoon several drops (or use squirt bottle) of the solution onto the gas hose/regulator and regulator/LPG cylinder connection.
- 3) Inspect the connections and look for bubbles.
- 4) If no bubbles appear, the connection is safe.

If bubbles appear, there is leak. Loosen and re-tighten this connection. Repeat the test.

If bubbles form again, stop trying; contact your local dealer for assistance.

Leak test annually, and whenever the gas cylinder is removed or replaced.




Note: In the event of gas leakage, the appliance must not be used or if already alight, the gas supply must be shut off and the appliance investigated and rectified before it is used again.

Minimum clearance from combustible surfaces

This heater is primarily used for the heating of outdoor patios, decks, spas, pools and open working areas.

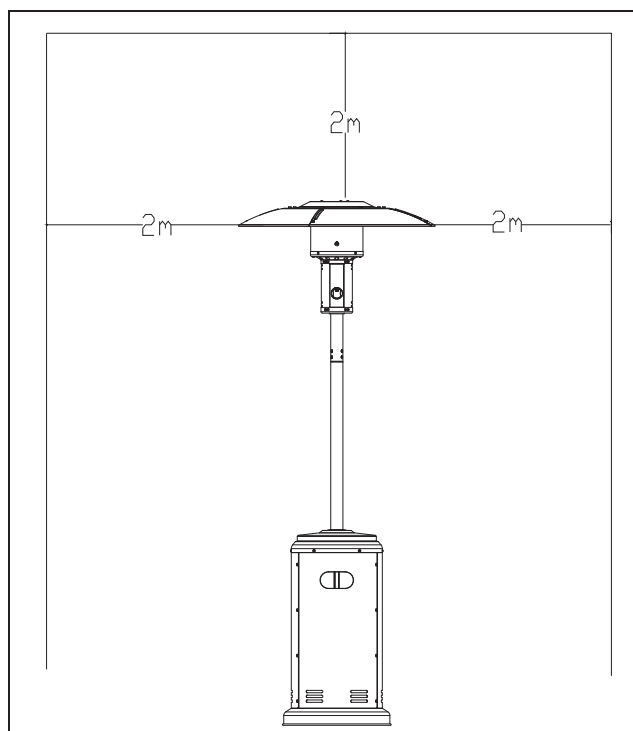
Combustible materials are considered to be wood, compressed parter, plant fibres, plastic or other materials that are capable of being ignited and burned.

Always make sure that adequate fresh air ventilation is provided. Follow the spacing tolerances shown in the following figure right at all times. 

This heater must be placed on level, firm ground.

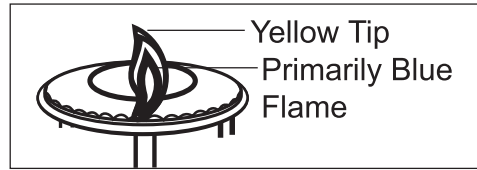
Never operate in an explosive atmosphere.

Keep away from areas where gasoline or other flammable liquids or vapors are stored or used.



LIGHTING PROCEDURE

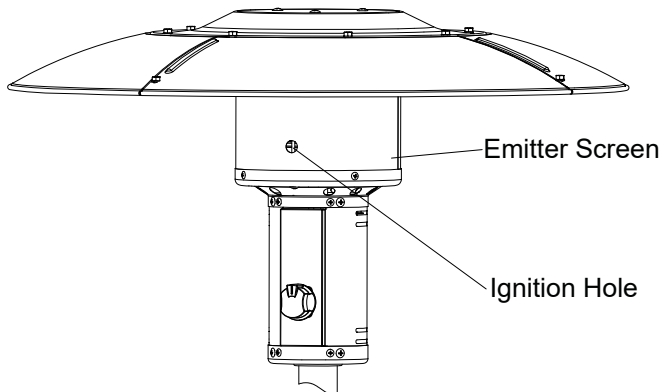
1. Turn the control knob to "●" position.
2. Turn LPG cylinder gas valve to fully open position.
3. Push in gas control knob and turn counter clockwise to "♠" position, this will light the burner. (You will hear 1 clicking noise).
4. Once the burner is lit, continue to keep the control knob depressed for at least 30 seconds, then release control knob.
5. If burner does not stay lit, repeat steps 3 and 4 after 5 minutes.
6. If burner still does not stay lit, then:
 - a) Push in gas control knob and turn counter clockwise to the "♠" position.
 - b) Keep depressing the control knob, put long stem lighter into the ignition hole on the emitter screen to light the burner.
 - c) Repeat step 4.
7. Turn control knob counter clockwise to "🔥" position. If you want a lower temperature, push in the control knob and turn clockwise to the "♠" position.




! These lighting instructions must be followed. An unsafe condition can occur if they are not followed correctly.

Flame Characteristic


The flame pattern at the emitter screen should be visually checked whenever heater is operated. Normally the burner flame is blue, but a little yellow flame is acceptable. If flames extend beyond surface of the emitter grid, or the phenomena of flame lift or light back, or black soot is accumulating on the emitter grid or reflector, the heater should be **turned off** immediately. The heater should not be operated again until the unit is serviced and or repaired.



OPERATING PROCEDURE

Note: The burner may be noisy when initially turned on, To eliminate excessive noise from the burner, turn the control knob to the “” position. Then, turn the knob to the level of heat desired.



When heater is ON:

Emitter screen will become bright red due to intense heat. The colour is more visible at night. Burner will display tongues of blue flame. These flames should not be yellow or produce thick black smoke  indicating an obstruction of airflow through the burners.

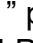
Operation pressure checked:

If the flame is very small, this is because the supply pressure is not enough. Please refill gas cylinder.

Re-light:

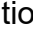
1. Turn the control knob to “” position.
2. Wait five (5) minutes before attempting to relight burner.
3. Repeat steps beginning with step 2 of the lighting instruction above. 

Shut down instructions:

1. Push in and turn control knob clockwise to “” position.
2. Turn LPG cylinder gas valve clockwise to OFF position when heater is not in use.

Note: After use, some discolouration of the emitter screen is normal.

The event of gas leakage:

1. Turn the control knob to “” position.
2. Turn LPG cylinder valve to OFF position.
3. Wait 5 minutes to allow gas to dissipate.
4. If odor continues, immediately call gas supplier.



Warning: Heater will be hot after use. Handle with extreme care.

Cleaning and maintenance

To enjoy years of outstanding performance from your heater make sure you perform the following maintenance activities on a regular basis:

- Keep exterior surfaces clean.
- Use warm soapy water for cleaning. Never use flammable or corrosive cleaning agents.
- While washing your unit, be sure to keep the area around the burner dry at all times. If the gas control is exposed to water in any way, do NOT try to use it. It must be replaced.

- Air flow must not be obstructed. Keep controls, burner, and circulating air passages clean. Signs of possible blockage include:

Gas odor with extreme yellow tipping of flame.

Appliance does NOT reach the desired temperature.

Appliance glow is excessively uneven.

Appliance makes popping noises.

- Spiders and insects nest in burner or orifices. This dangerous condition can damage heater and render it unsafe for use. Clean burner holes by using a heavy-duty pipe cleaner. Compressed air may help clear away small particles.

- Carbon deposits may create a fire hazard. Clean heater dome with warm soapy water if any carbon deposits develop.

Check the tubing or the flexible hose (at least once per month and each time the cylinder is changed). If it shows signs of cracking, splitting or other deterioration, it must be exchanged for a new hose of the same length and of the equivalent quality.

STORAGE

Between uses:

- Turn the control knob to “●” position.
- Turn LPG cylinder to OFF position.
- Store appliance upright in an area sheltered from direct contact with inclement weather (such as rain, sleet, hail, snow, dust and debris).

- If desired, cover appliance to protect exterior surfaces and to help prevent debris in air passages.

During periods of extended inactivity or when transporting;

- Turn the control knob to OFF position (full disk). before covering.

- Disconnect LPG Cylinder and move to a secure, well-ventilated location outdoors. DO NOT store in a location that will exceed 50 °C.

- The LPG cylinder must be kept out of reach of children, and not in a building, garage or any other enclosed area.

- Store appliance upright in an area sheltered from direct contact with inclement weather (such as rain, sleet, hail, snow, dust and debris).

- If desired, cover appliance to protect exterior surfaces and to help prevent debris in air passages.

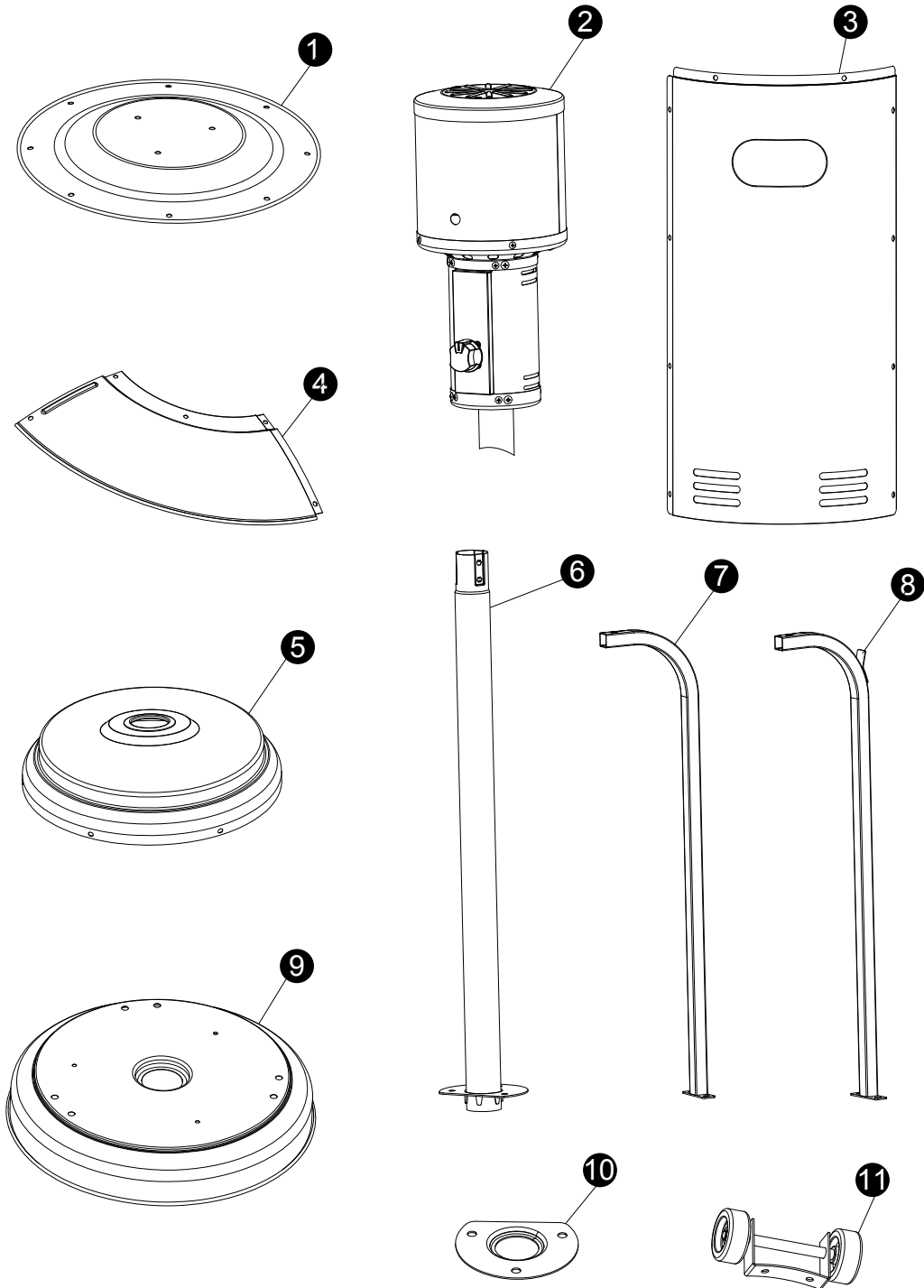
NOTE

Wait until appliance is cool before covering.

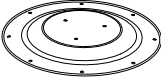
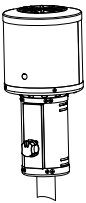
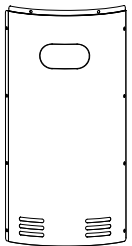
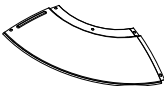



TROUBLESHOOTING


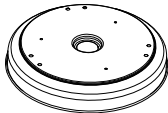


PROBLEM	PROBABLE CAUSE	SOLUTION
Burner will not light	Pressure is low	Fuel tank is near empty
	Control valve not ON	Turn valve to ON
	Thermocouple broken	Contact customer service

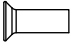


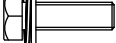

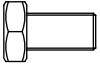
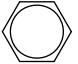












EXPLODED VIEW



PARTS & HARDWARE

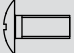


Part #	Description	Picture	Qty
1	Center Reflector Cap		1
2	Burner Head		1
3	Side Panel		3
4	Reflector Shield		4
5	Cylinder Compartment Lid		1
6	Lower Pole		1
7	Square Support Tube 1		2

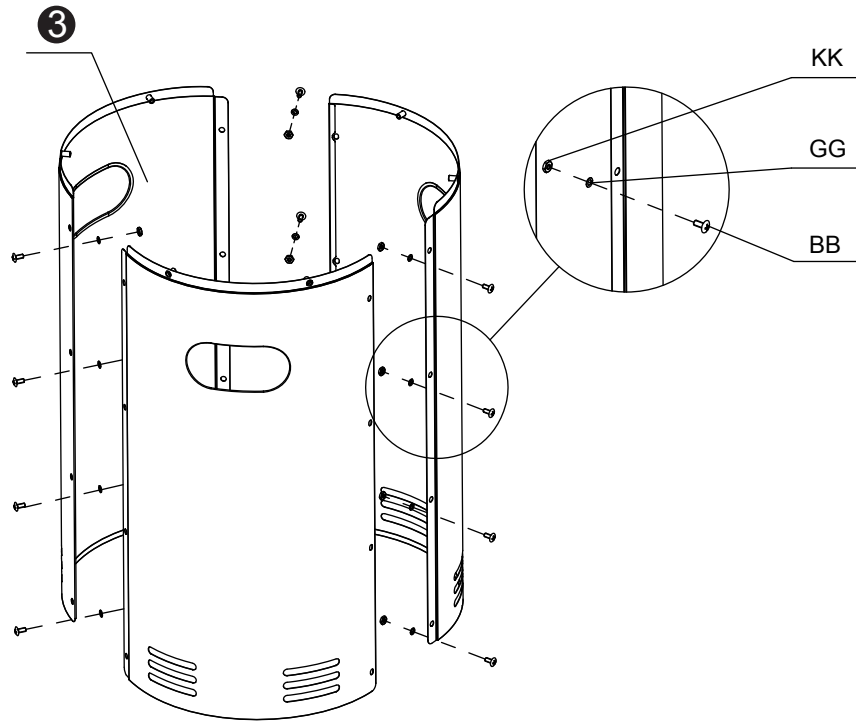
Part #	Description	Picture	Qty
8	Square Support Tube 2		1
9	Base		1
10	Fixed Plate		1
11	Wheel Assembly		1

Hardware#	Dimensions	Picture	Qty
AA	M5 x 12		6
BB	M5 x 12		18
CC	M6 x 10		15
DD	M6 x 20	 	2
EE	M8 x 15	 	6
FF	M8 x 35	 	3
GG	D5		12
HH	D6		15
II	D8		9
JJ	D8		3
KK	M5	 	12
LL	M6	 	12
MM	M8	 	9

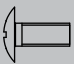
ASSEMBLY INSTRUCTIONS

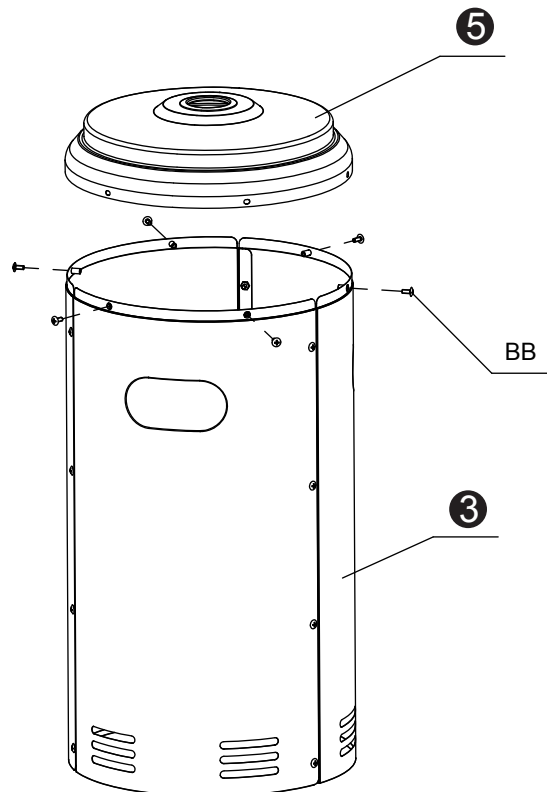
1

- 
BB x 12 M5 x 12
- 
GG x 12 D5
- 
KK x 12 M5



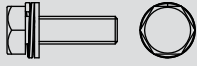
2

- 
BB x 6 M5 x 12

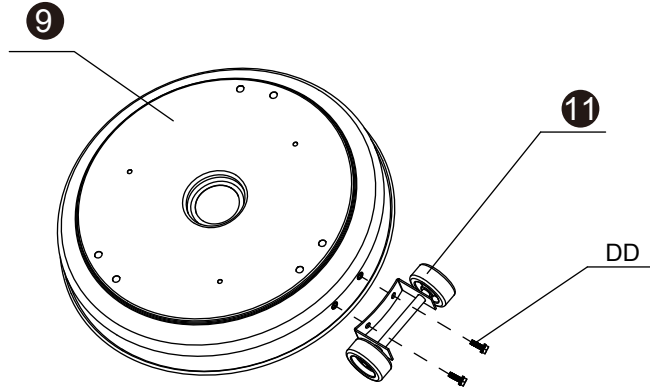


ASSEMBLY INSTRUCTIONS

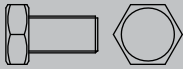
3



DD x 2 M6 x 20



4



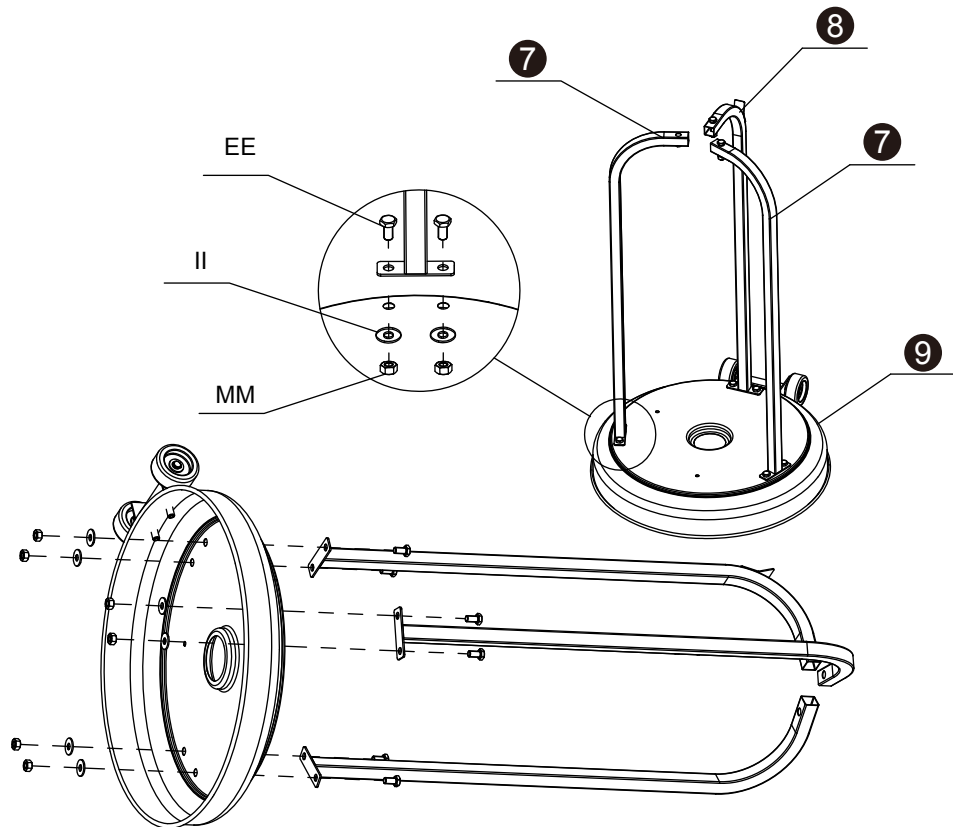
EE x 6 M8 x 15



II x 6 D8

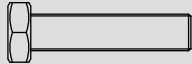


MM x 6 M8



ASSEMBLY INSTRUCTIONS

5



FF x 3 M8 x 35



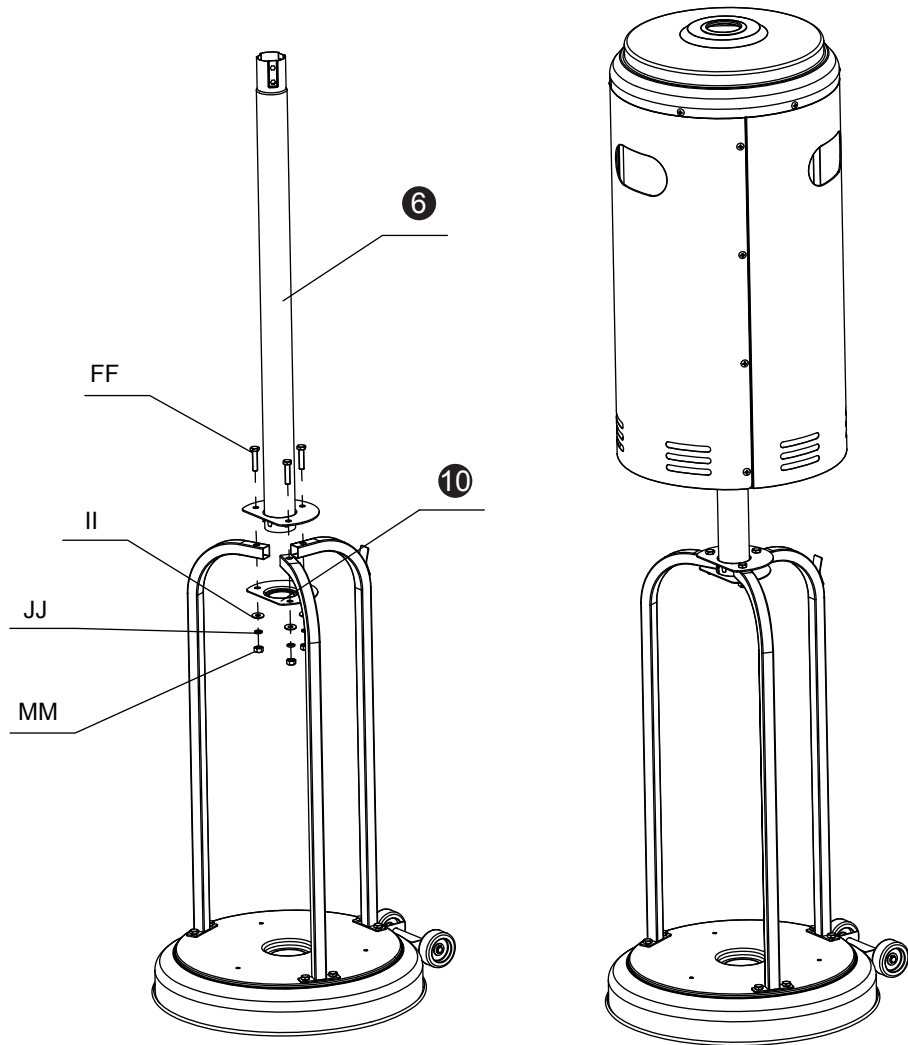
II x 3 D8



JJ x 3 D8



MM x 3 M8



6



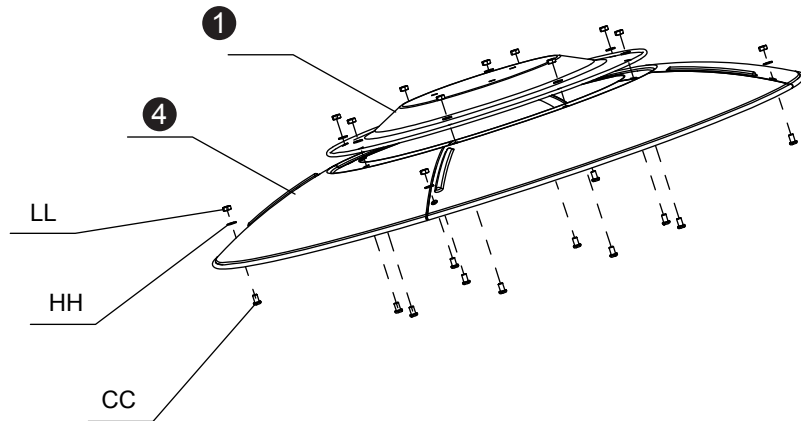
CC x 12 M6 x 10



HH x 12 D6



LL x 12 M6



ASSEMBLY INSTRUCTIONS

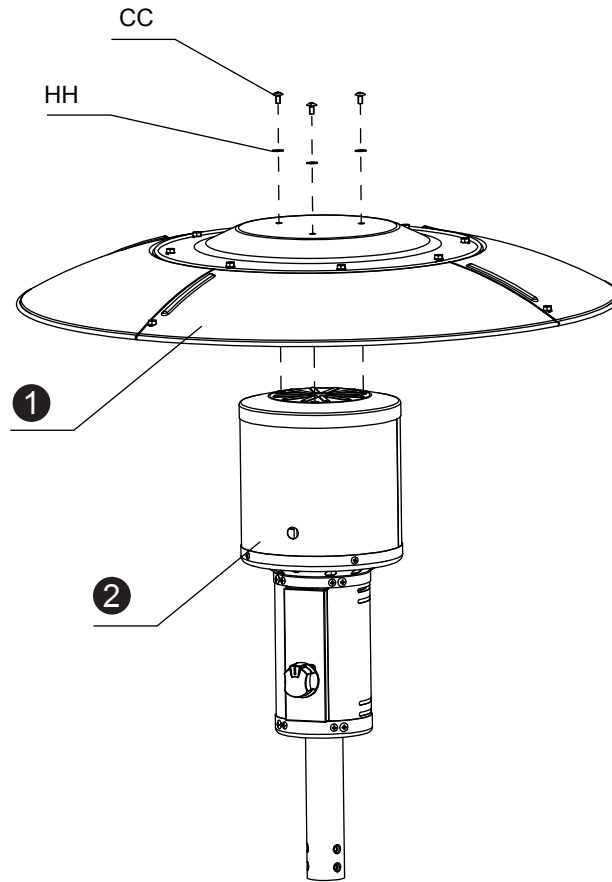
7



CC x 3 M6 x 10

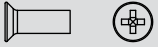


HH x 3 D6

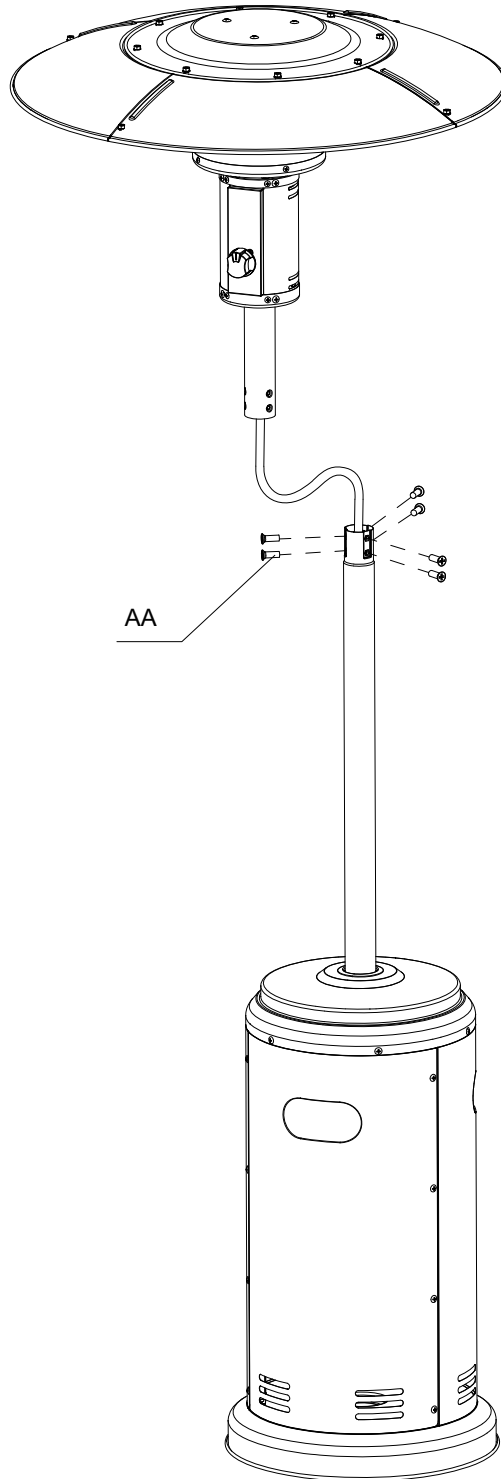


ASSEMBLY INSTRUCTIONS

8

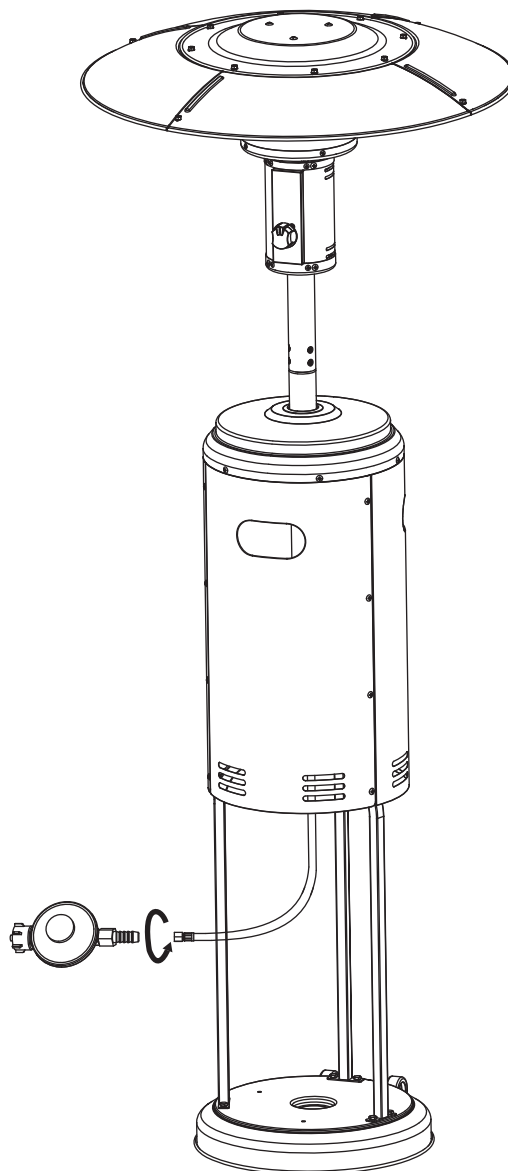


AA x 6 M5 x 12

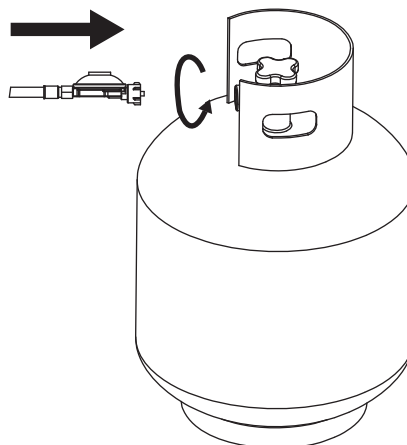


ASSEMBLY INSTRUCTIONS

9



10



ASSEMBLY INSTRUCTIONS

11

