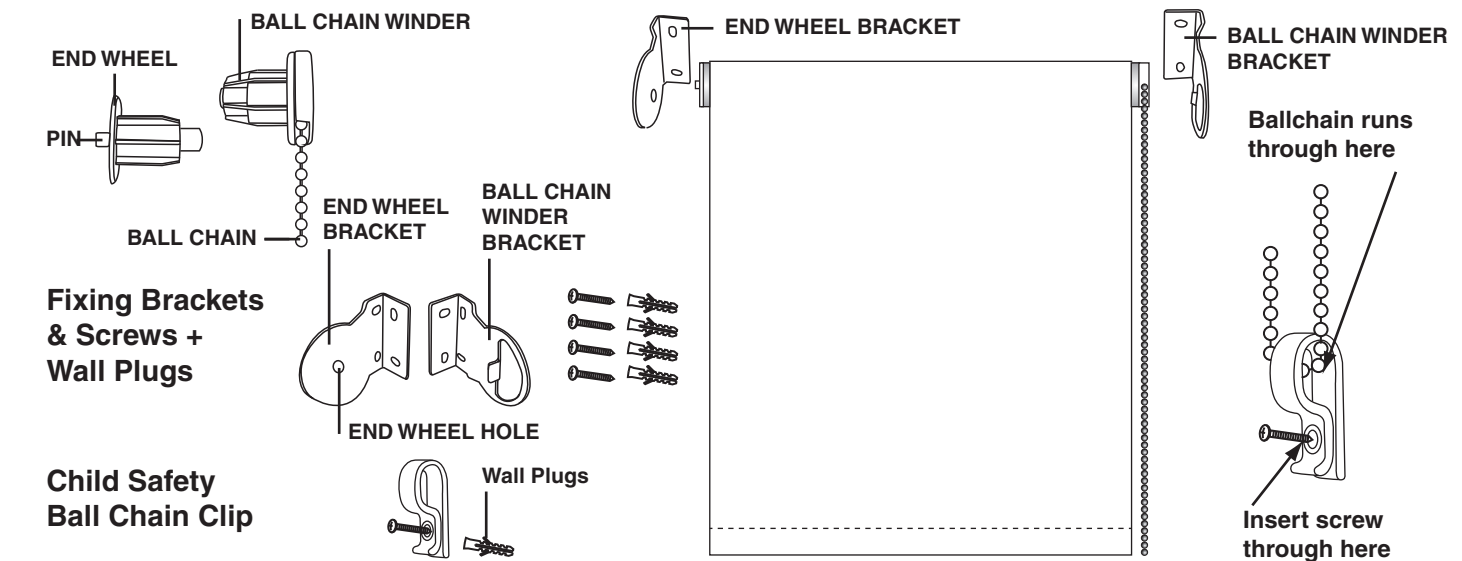


Roller Blind Installation Instructions

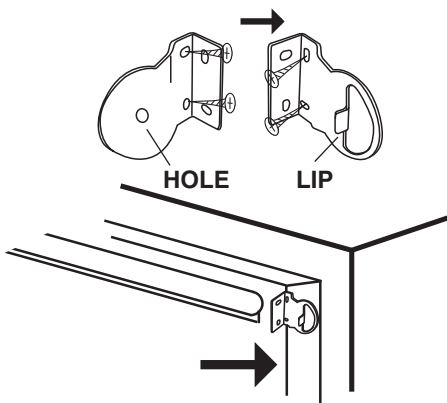
CONTENTS



INSTALLING

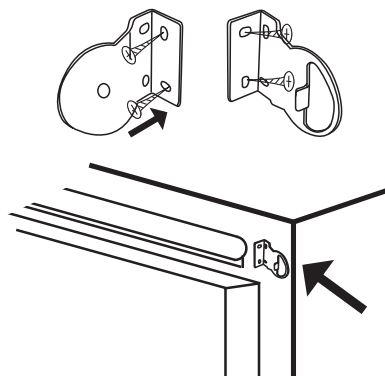
STEP 1. Select the method of mounting that best suits your purpose (A, B or C).

OPTION A: RECESS MOUNTING



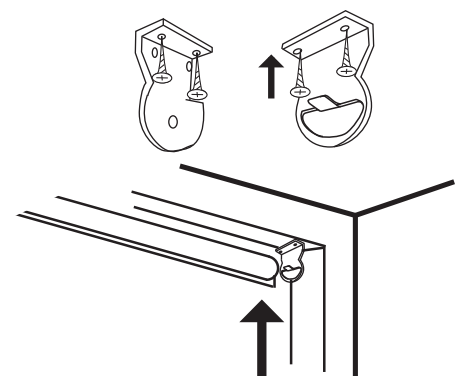
A. RECESS MOUNTING: Mounting to the inside of the window frame.

OPTION B: FACE MOUNTING



B. FACE MOUNTING: Mounting to the outside of the window frame.

OPTION C: TOP MOUNTING



C. TOP MOUNTING: Mounting overhead to the top inside of the window frame or the ceiling.

STEP 2. Measure where you want the blind to hang, make sure that the blind is centred and level. Hold one bracket at the desired height and width you have chosen and mark the screw holes with a pencil.

STEP 3. Drill pilot holes where you marked the screw holes, insert wall plugs into drilled holes. Use a screwdriver to attach the brackets to the wall or ceiling using the screws provided.

STEP 4. After the first bracket is mounted, carefully position and attach the second bracket. Double check to be sure that it is level with the first bracket and that both are the correct distance apart.

STEP 5. Pick up the blind, insert ball chain winder into the lip of the Ballchain Winder Bracket, making sure ballchain loop is pointing downwards.

STEP 6. Push pin of End Wheel against the other side of the End Wheel Bracket to retract pin, slide it into the End Wheel Bracket hole, secure it in place firmly.

STEP 7. Attach the Child Safety Ballchain clip to a wall or architrave in a position which makes the Ball Chain taught to prevent tangling or child strangulation.

Care and maintenance: The fabric may be dusted using a dry cloth. To clean, wipe with a barely damp cloth.

Keep these instructions in a safe place for future reference

WARNING



Young children can be strangled by loops in pull cords, chains, tapes and inner cords that operate the product. To avoid strangulation and entanglement, keep cords out of the reach of young children. Cords may become wrapped around a child's neck. Move beds, cots, playpens, high chairs and furniture away from areas where a child could reach window covering cords. Do not tie cords together. Make sure cords do not twist and create a loop.

Persons in charge of children are ultimately responsible for following the safety instructions provided by the manufacturer and to use any safety device provided.

Care should be taken when handling tools and fitting the blind. The fitting pack contains small pieces which might cause a choking hazard.