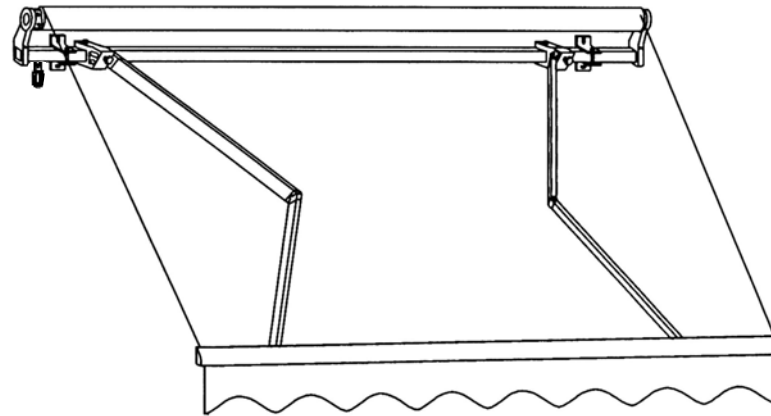


Manual Economic Awning

USERS' INSTRUCTIONS



Index

I.	Brief Introduction.....	2
II.	Attentions.....	3
III.	Description of Manual Economic Awning.....	4
IV.	Installation Steps of Manual Economic Awning.....	5
V.	Repair Manual for Usual Malfunction.....	12

**We highly appreciate you for purchasing our Manual Economic Awning.
For your safety and better using of the awning, please read the users' manual thoroughly before installation and operation.
Thank you.**

BRIEF INTRODUCTION

Type Manual Retractable Awning, which is also called economic retractable awning, is a fashionable outdoor shading product.

It is ultimate in stylish shade for large patios, pool sides and terraces without unsightly posts or beam.

The fabric on your awning has superior quality with an all weather UV treatment. This treatment is waterproof and will protect the fabric for several years.

When retracted, the fabric and mechanism is protected from the elements by the cassette.

The screen can be stored completely under the rain cover thus effectively protect screen and components, extending use-life of the awning.

Angle of spreaded screen can be adjusted expediently after the awning is fully opened.

Spreading length of screen can also be controlled by turning the Winding Handle clockwise.

Main components are made of alloy profiled aluminum, die-casting aluminum and ABS plastic.

Our awnings require little maintenance. Keep the frame clean by wiping with damp cloth soaked in a warm mild detergent solution. Polish off with a second damp cloth that has been soaked in clean warm water. The cover may be rinsed with a cool mild detergent solution and rinsed with clean cold water.

Economic Retractable Awning is of rational and cultured structure, styled appearance. It is the ideal and excellent shading product for modern stores, buildings as well as family houses.

These instructions are applicable to the following retractable awnings:

M1100, M1200 and M1300 Series

ATTENTIONS

1. Please call the professionals to install this manual economic awning.
2. This awning unit is heavy; do not attempt to lift this unit onto the wall brackets without assistance from a second person.
3. The screen should not be used in a flabby state or else it will affect the appearance and security.
4. The awning cover is waterproof and can be left open during light rainy conditions but always ensure the cover is kept tight by turning the handle clockwise a little after initially opening the awning to prevent any water building up on top of the awning cover.
5. Awnings must not be left open during windy conditions or heavy rain. When the wind force is over 4 degrees, please close the awning. If there is a heavy rain or snow, the awning is forbidden to use.
6. To keep your awning cover in tip top condition, always close your awning after use as this will prevent dust and dirt collecting on the cover and will ensure your awning will last for many more years.
7. The customer must not disassemble the body of the awning, especially the arms. When having problems, you may turn to the professionals. Otherwise, people could be injured.
8. All the bolts must be screwed down.
9. After use, always remove the Winding Handle from the unit and store in a dry and safe place.
10. Do not allow children to play with this awning.




Description of Manual Economic Awning

Manual economic awning, which is applicable to outdoor installation, brings convenience and beauty to your life, and protects you from blazing sunshine and ultraviolet radiation.

Size: It is determined by the model.

(For example, the 3m×2m means the awning is 3 meters wide, and expands as long as 2 meters.)

MAIN PARTS

PARTS LIST	ILLUSTRATION
AWNING UNIT X 1PCS	
METAL WALL BRACKETS X2 PCS	
WINDING HANDLE X1 PCS	



METAL WALL BOLTS Not included.

These instructions apply to the following sizes of awnings:

Width 2.0m x Depth 1.5m

Width 4.0m x Depth 3.0m

Width 6.0m x Depth 3.0m

You have free selection in the range of these sizes.

TOOLS REQUIRED

To fit your awning, you will need the following list of tools:

- Hammer Action Drill
- 14mm Masonry Drill Bit
- Chalk or Pencil
- Spirit Level
- Socket tool set in millimeters
- Adjustable Spanner (not essential, but is helpful during fitting)

WARNING

This awning is heavy. Two people are required to lift the awning into position once the brackets are fitted to the wall. DO NOT attempt to lift the awning unit into position without assistance as dropping the unit is likely to cause serious damage to the product and could result in serious injury.

DO NOT allow children or pets to play in the working area during assembly and fitting.

DO NOT allow children to play with the winding handle once the unit is fitted. Keep the winding handle out of children's reach at all times.

Ensure your hands are kept clean during fitting; this will prevent the awning fabric and frame becoming dirty.

The awning frame is supplied with a clear plastic wrapping. This should be removed after fitting.

Plastic bags used in the packing of this product can be dangerous to children and babies. Keep out of the reach of babies and children to avoid risks of suffocation.

BEFORE ASSEMBLY

Check that all the parts shown on the attached parts list are contained within the box. If any parts are found to be damaged or missing, please telephone our customer service hotline and leave you name, number and details of the parts that are missing or damaged and we will get back to you without delay.

STEP 1

Carefully remove awning from the carton box and slide the polystyrene end blocks away from the awning unit.

Remove plastic bag and plastic ties from the awning and place the awning unit to one side ensuring the unit will not become scratched, damaged or dusty during works.

Decide how high you intend to secure the awning to the wall. If fitting above a patio door, then this should ideally be at least 20cm above the door frame if there is sufficient space above the frame to allow fitting.

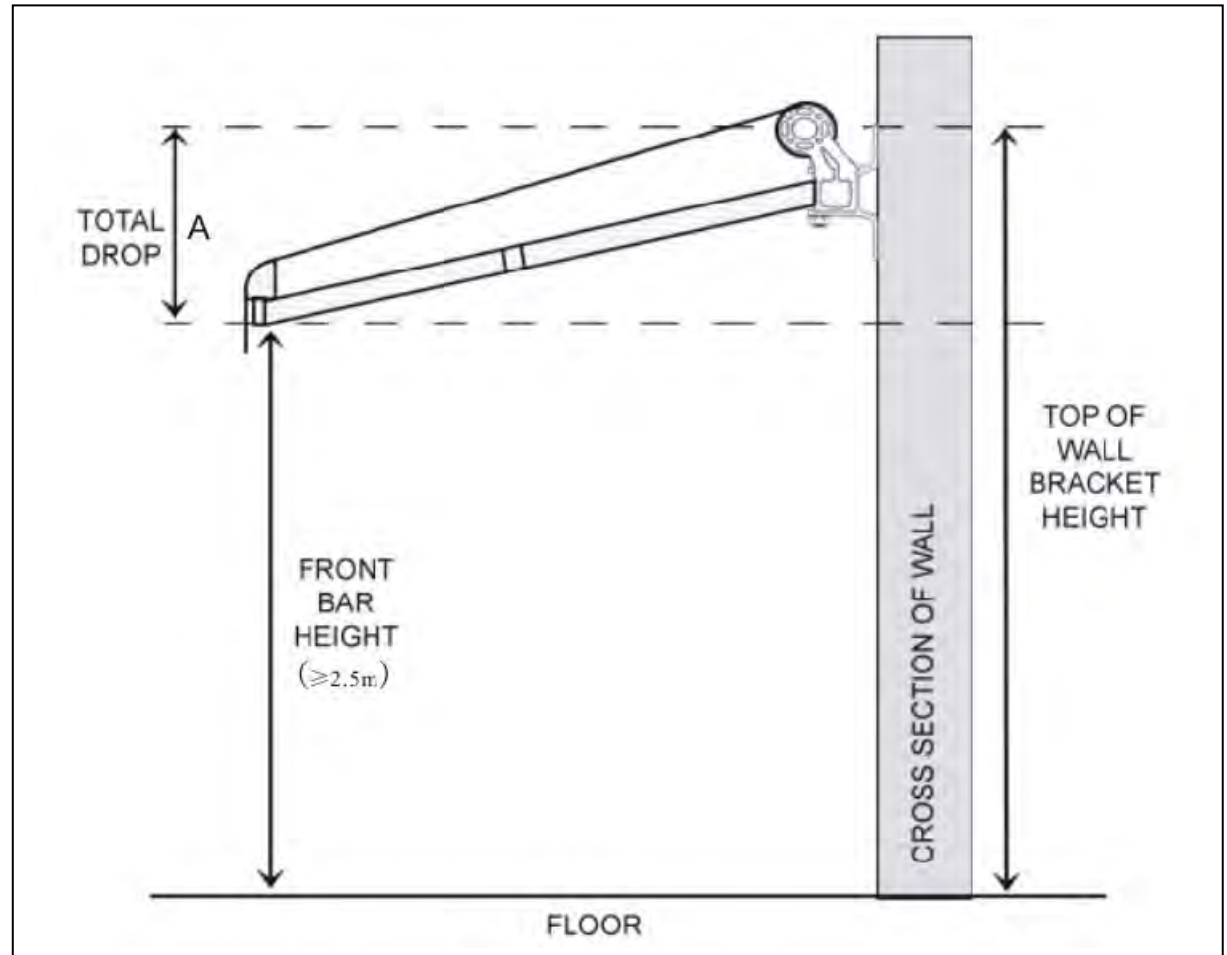
The approximate total drop of the awning differs from the type:

The height of the top	2m~4m	4.5~6m
A(Total Drop)	30cm	50cm

Ensure you have calculated for this drop in height when deciding how high to secure the awning to the wall.

The angle of drop can be slightly adjusted after fitting, but the most ideal drop angle is pre-set at the factory and should not require any major adjustment.

The diagram on the right shows the drop of the awning after the awning has been fully opened.



STEP 2

Draw a horizontal line in the position of the top of the brackets as shown in the diagram. This should extend the full distance of the awning and is best done using a long ruler, spirit level and some chalk to mark the wall.

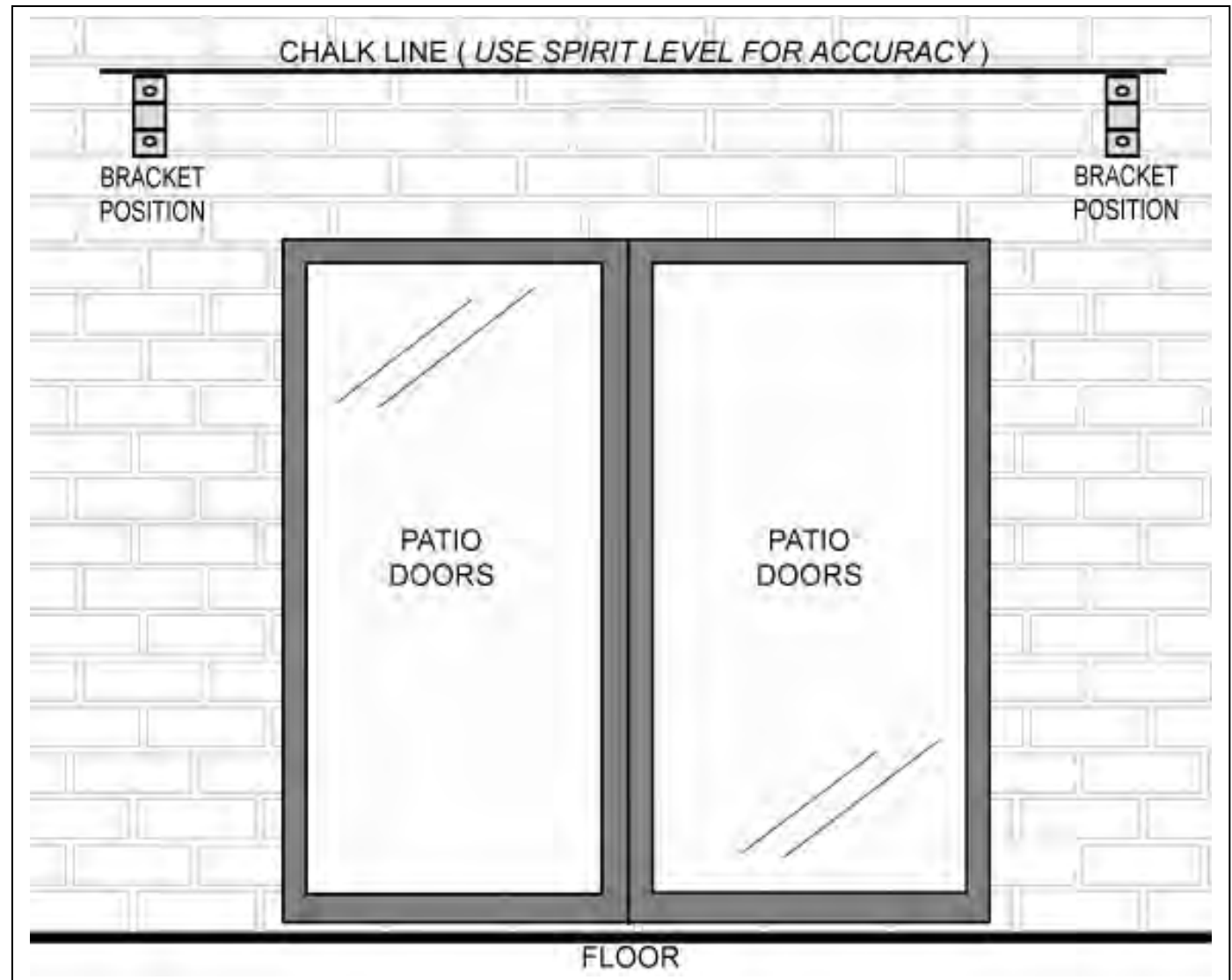
Please work out the height which the wall paper will be put up, and then draw a line with chalks.

Notes: The wallpaper must be put on a level line, which affects whether the awning can be fitted level or not. The holes will be drilled in the center of the marks on the wallpaper, in which the brackets will be fitted. Once the position of the holes has been drilled, remove the wall paper, and then install the bolts and brackets.

The quantity of the wall brackets is basis on the size of the awning:

width of awning	≤3.3m	3.3m-4.5m	4.5m-6.0m
Brackets needed	2pcs	3pcs	4pcs

The end fitting brackets should be located approximately 12cm from the ends of the Awning Torsion Bar, but can be adjusted a little closer or a little further away if necessary. Moving the location of the wall brackets slightly inwards or outwards may be necessary due to the position of the bricks in the wall, or any supporting wall studs.



Customers can use an additional bracket if required which is not included

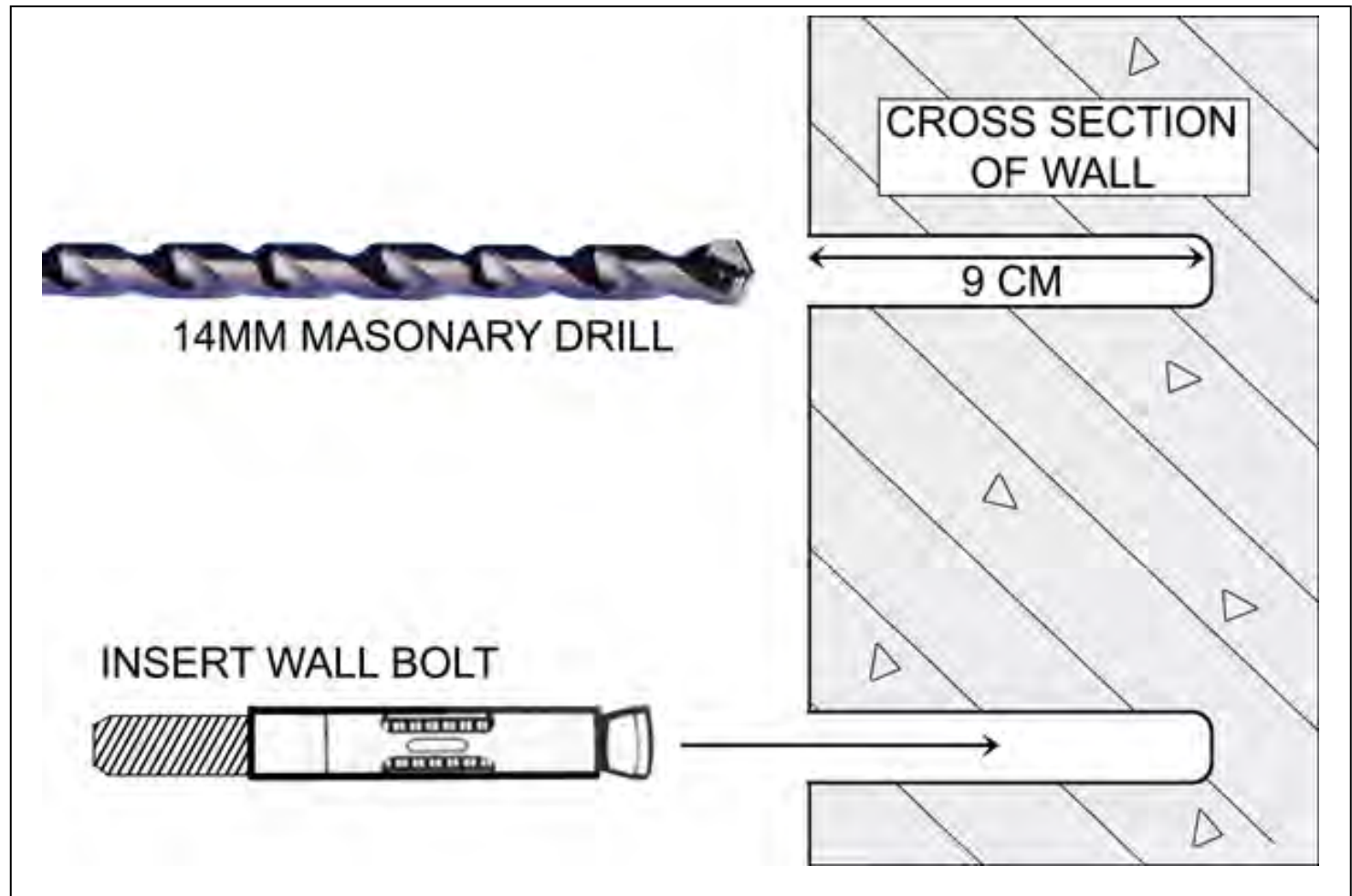
STEP 3

Using a hammer action drill and a 14mm Masonry Drill Bit, drill the holes into the wall in the positions of the holes in the Awning Brackets.

The holes should be drilled 9 cm into the wall ensuring that the hole goes through solid brick or concrete. Do not drill through mortar as this will not provide satisfactory strength to hold the wall bolts.

USEFUL TIP

To ensure the depth of the hole is accurate, measure 9cm from the end of the Drill Bit with a ruler and wrap some tape around the Drill Bit in this position. When the tape marker is level with the wall, you have reached the correct depth.



INSTALLATION ONTO WOODEN HOUSES AND CHALETS

This awning can be fitted onto wooden walls and Chalets providing that the wall has adequate strength to support the weight of the awning. Always ensure that the wall Brackets are securely fitted onto the outside of strong wooden wall studs. The wall bolts provided in the fitting kit will not be suitable for securing to wooden studs; therefore you will need to purchase Coach Bolts of sufficient length and diameter from your local hardware store to replace the wall bolts provided. The wallpaper must be removed after drilling the holes.

STEP 4

After inserting the Wall Bolts, slide the washers over the bolt heads followed by the Wall Bracket. Slide the remaining Bolt Washers over the Bolt heads and tighten securely the 17mm Nuts.

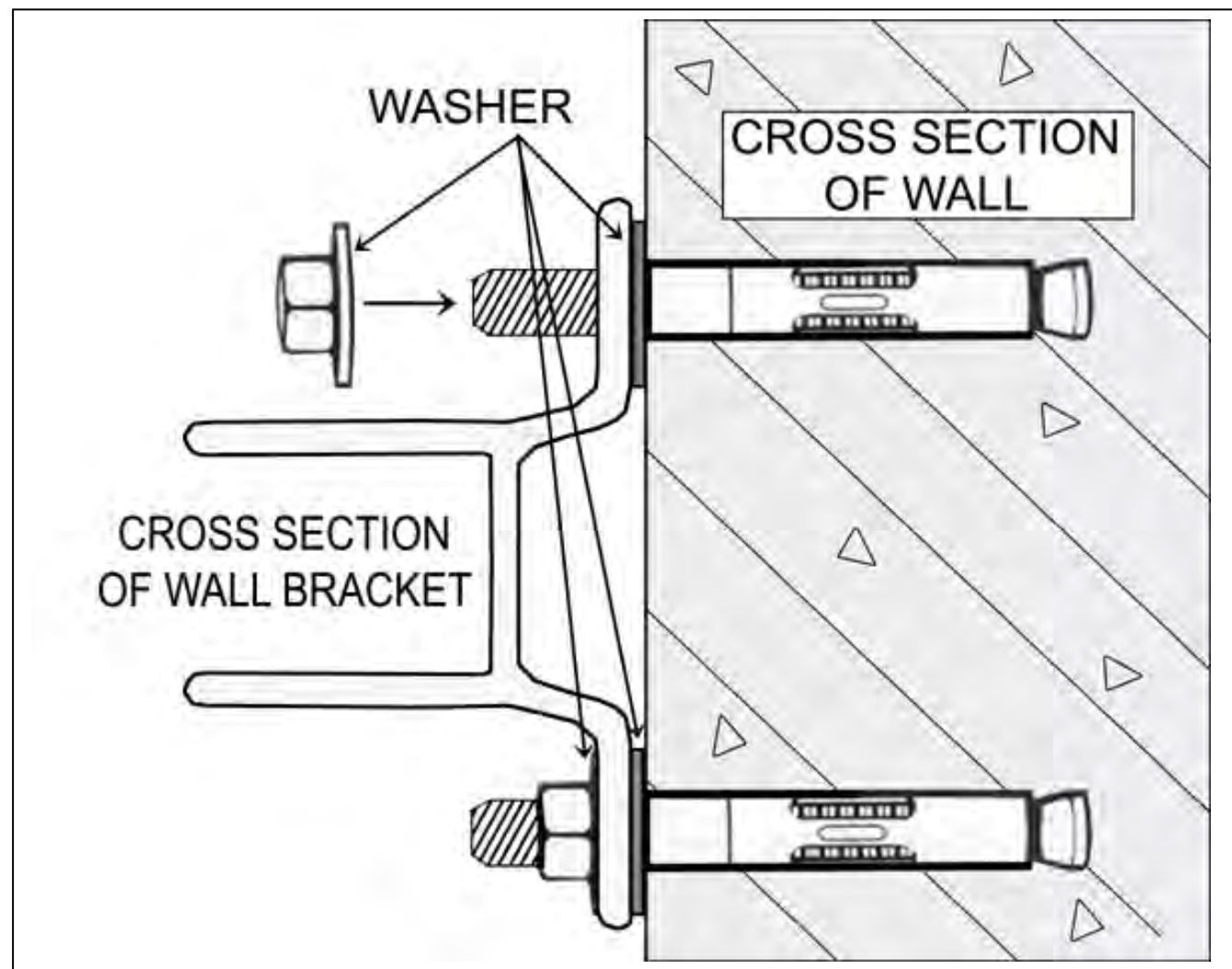
NOTE

It might be necessary to tap the Wall Bolts into position with a wooden faced mallet as the fit might be fairly tight. Avoid using a metal faced hammer as this might damage the threads on the top of the bolt shaft.

If the bolts require tapping into the wall with a mallet, it is recommended the Nut be loosely screwed on top of the bolt first (almost flush with the end of the bolt shaft) as this will further prevent damage to the threads on the bolt shaft during insertion.

Tighten the Wall Bolt Nuts securely with a 17mm Hexagonal Spanner. It is better to use a closed ended spanner rather than an open ended spanner to avoid spanner -slip damage to the Nut.

When bolted into position, the brackets should be tight against the wall. If any movement is detected, further tighten the nuts.



DO NOT ATTEMPT TO FIT THE WALL BRACKETS TO LOOSE BRICKS OR SURFACES THAT ARE NOT OF SOUND CONSTRUCTION.

ENSURE THE WALL BRACKETS ARE WELL BOLTED TO THE WALL TO PREVENT THE BRACKETS FROM FALLING AWAY FROM THE WALL WHEN THE AWNING IS FITTED.

STEP 5

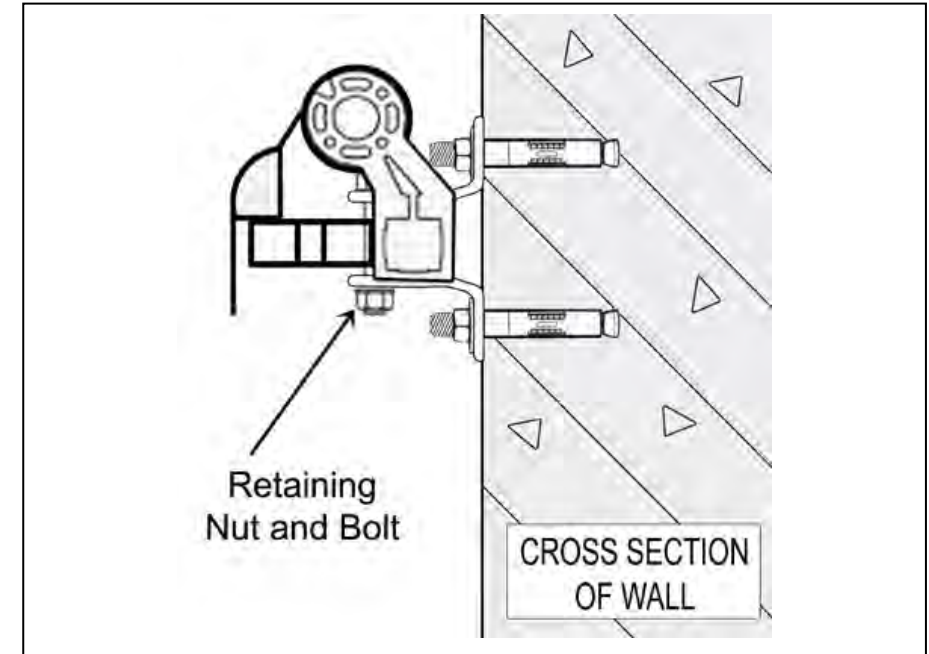
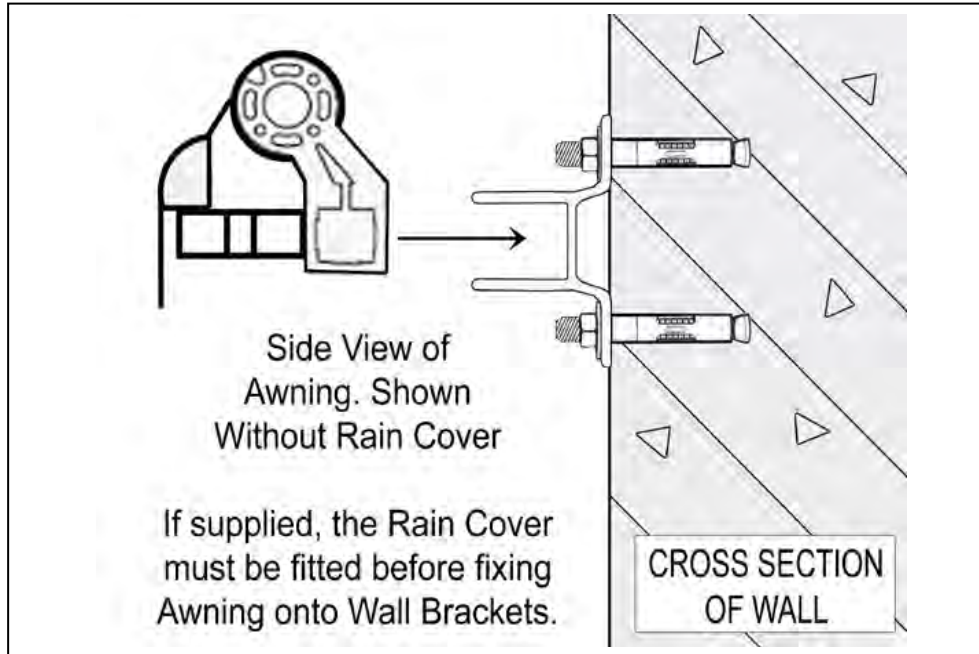
Your Awning is now ready to be secured to the Wall Brackets.

With at least 2 people, carefully lift both ends of the awning unit until the Torsion Bar slides into the Wall brackets.

It will be necessary to use 2 sets of ladders or step stools to lift the awning unit to the required height. Ensure the steps or ladders are safely positioned and well secured to avoid slipping or injury. **Always use ladders or steps of the appropriate rating for the job.**

WARNING

This Awning unit is heavy; do not attempt to lift this unit onto the wall brackets without assistance from a second person.



If the Torsion Bar does not slide easily into the Wall Brackets, then loosen the Wall Bracket Nuts slightly and try again; this time rock the Awning unit a little backwards and forwards until the Torsion bar slides into position. Immediately slide in the Retaining Bolts at the front of the Wall Brackets and tighten up the Nuts using a 19mm hexagonal spanner. Ensure the Wall Bracket Retaining Bolts are well secured.

STEP 6

Remove the restraint straps from around the awning unit if not already done so.

Locate the Winding Handle into the Crank Hole on the side of the awning. Open the awning (by turning the Winding Handle anti-clockwise) until the arms are at their maximum extension. Wind back a little to keep the fabric cover tight.

STEP 7

ADJUSTMENT OF TILT ANGLE

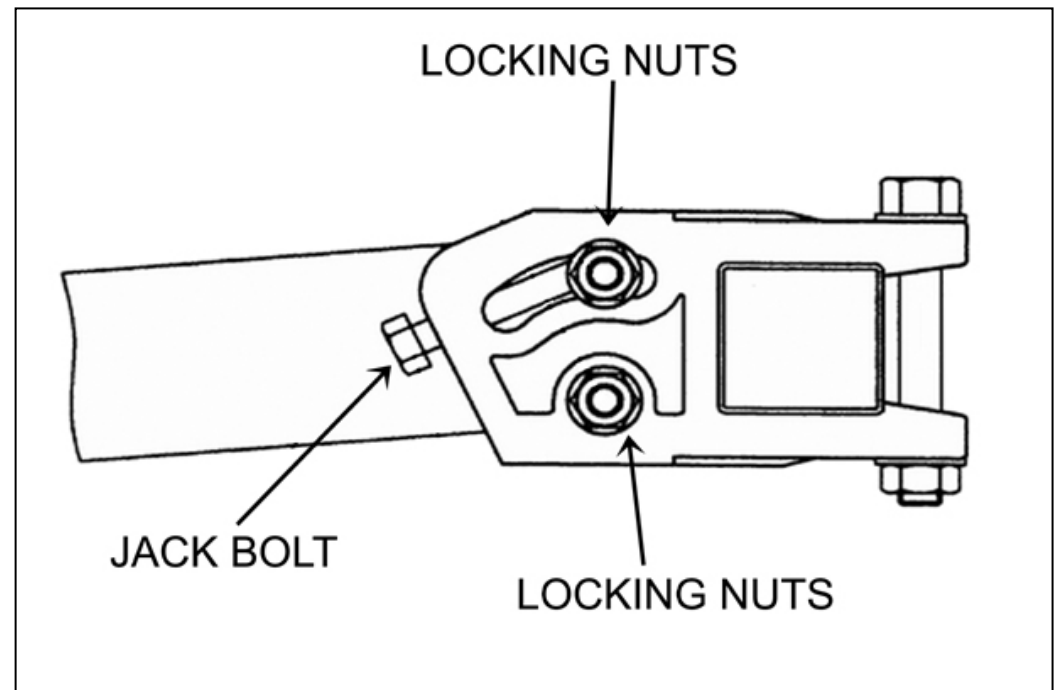
The awning is supplied with the most ideal pre-set angle of tilt.

The angle can however be adjusted by loosening the 4 x 17mm locking nuts on the sides of the arms and then turning with a spanner the 2 x 13mm Jack Bolts to the desired angle.

To ensure both sides are perfectly level, there is a built in spirit level on the front bar of the awning and the air bubble should be located exactly in the middle of the level.

Once adjusted, securely tighten up the 17mm Locking Nuts.

DO NOT operate this awning unless the arms are perfectly level as this will cause premature damage to the frame and arms.



Push the plastic bolt caps on top of the bolt heads to protect the bolts from weather corrosion. Your awning is now ready for use.

After use, always remove the Winding Handle from the unit and store in a dry safe place.

DO NOT ALLOW CHILDREN TO PLAY WITH THIS AWNING

For fitting advice, parts and replacement covers please telephone our SONEVA hotline on 0116 2894752 and leave your contact number, details of parts or advice required and we will call you back as soon as possible.

REPAIR MANUAL FOR USUAL MALFUNCTION

NO	PHENOMENA OF MALFUNCTION	REASON	REPAIR METHOD
1	Screen is lax though the sunshade is spreaded entirely.	Path length incorrectly fixed.	Readjust path length according to the direction of the motor.
2	The cassette can not close completely.	Connecting position between front arm and front beam moved.	Adjust position of the front beam (front beam adjusting sketch) till the cassette entirely shuttered.
3	Unwanted noise when operating.	Screw loosened.	Check all screws come into view and fasten the loosened.