

Xiongji Decoration Co., Ltd	
Size:	210(W) X 297(H)mm
Color:	100K Die-cut
Material:	Paper 7 Pages
Coating:	Glossy
Item:	113086 & 113087 Messina Rattan Corner Sofa Set IM
Date:	29-09-2021
Designer:	Tom

Size : 210(W) X 297(H)mm



MESSINA RATTAN CORNER SOFA SET
PLU: 113086 / 113087
Assembly Instructions

IMPORTANT: RETAIN THIS INSTRUCTION MANUAL FOR FUTURE REFERENCE. PLEASE READ CAREFULLY.

WARNING:
 This item is for domestic use only.
 Maximum Loading Capacity is 100kg per seat, 20kg for polywood table and 20kg for glass table.
 Two people are required to assemble this item. Assemble this item on a flat, solid and even surface.
 Make sure that all the necessary pieces are in the carton before starting the assembly.
 Do not leave children unattended.
 This item is not a climbing frame or toy.
 Never leave children unsupervised with the packaging materials.
 Danger of suffocation. Keep out of reach of children.
 Keep away from fire and inflammable objects.
 Do not climb or jump on this item.
 To keep your item in good condition, we do not recommend leaving this item outdoors when not in use.
 Please do not sit on armrests.

CARE FOR GLASS TABLE TOP
 The glass in this product is tempered glass.
 If the glass is chipped or broken, stop using the product and replace with tempered glass.
 There is no warranty on table glass tops.

- During assembly do not lay the glass directly onto hard or rough surfaces. Lay the glass on a blanket or cardboard.
- Do not drag on ground when moving furniture. It should always be lifted up to be moved.
- Do not place hot or cold items on the glass table top directly, such as saucepans or barbecues. Extreme temperature differences can cause glass to break.
- Never place items directly onto the glass such as lanterns, candles, plates or glasses.
- Always use place mats, coasters and table cloths to help protect against scratches and accidentally dropped items.
- Do not use the glass top as a chopping surface. Do not strike glass with hard or pointed items.
- Do not drag rough or heavy objects over the top of the glass.
- Do not sit or stand on the glass table top.
- Clean regularly to ensure there is no dirt or grit on the glass table top.
- When cleaning glass panel, use a damp cloth or chamois leather with washing up liquid or soft soap. Do not use washing powders or any other substances containing abrasives, since these substances can scratch the glass.

CLEAN AND CARE

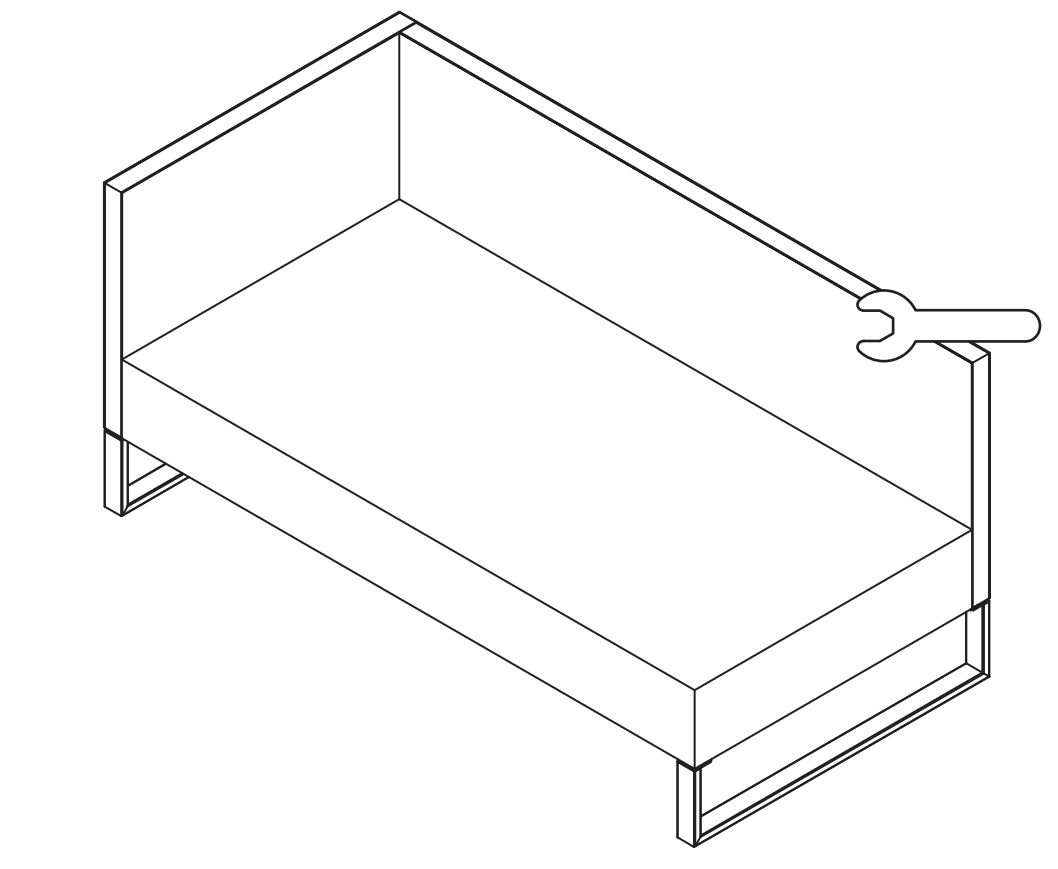
- Do not use, or leave out, in adverse weather conditions (including wind and rain), or during the winter months.
- Damp wipe only and dry naturally.
- Please ensure furniture is dry before storing.
- Periodically ensure all the screws and fixings are secure and the item is stable.
- We strongly advise covering up or storing away your furniture when not in use to protect it from the elements and accidental damage.
- Keep away from fire.

Please retain your receipt as proof of purchase.



Size : 210(W) X 297(H)mm

PLU-113086 & 113087 LEFT ARM SOFA



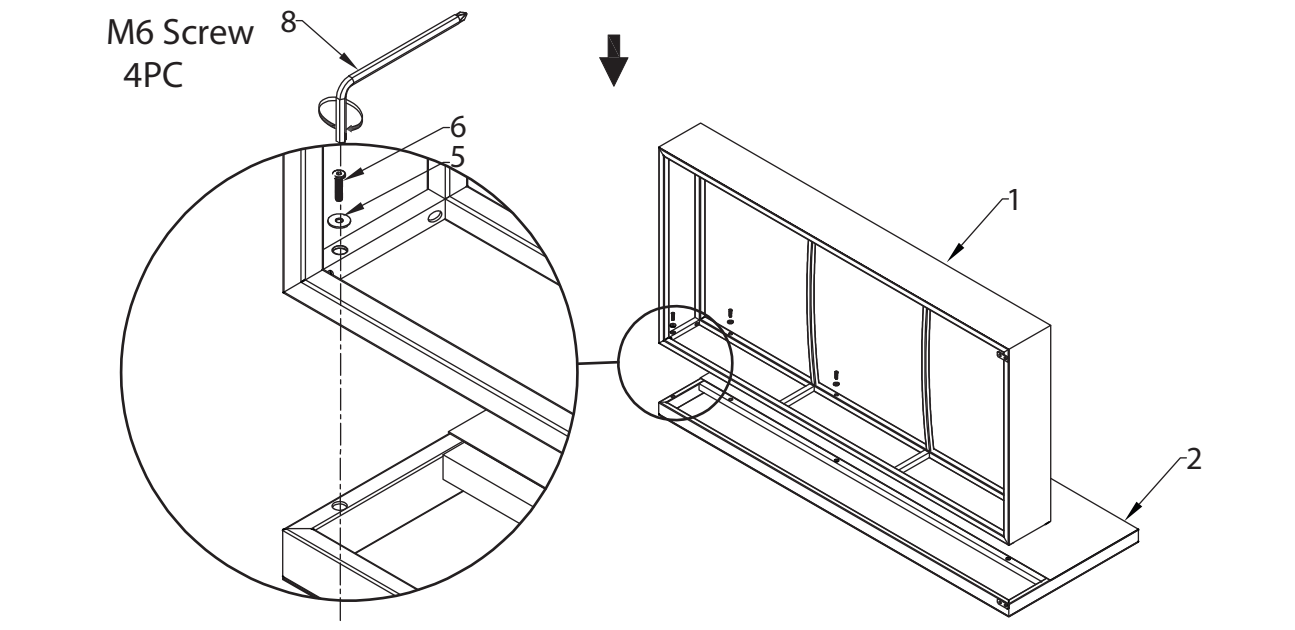
Accessories List

1 1pc	2 1pc	3 2pc	4 1pc
5 M6 15pc	6 M6 7pc	7 M6 8pc	8 1pc

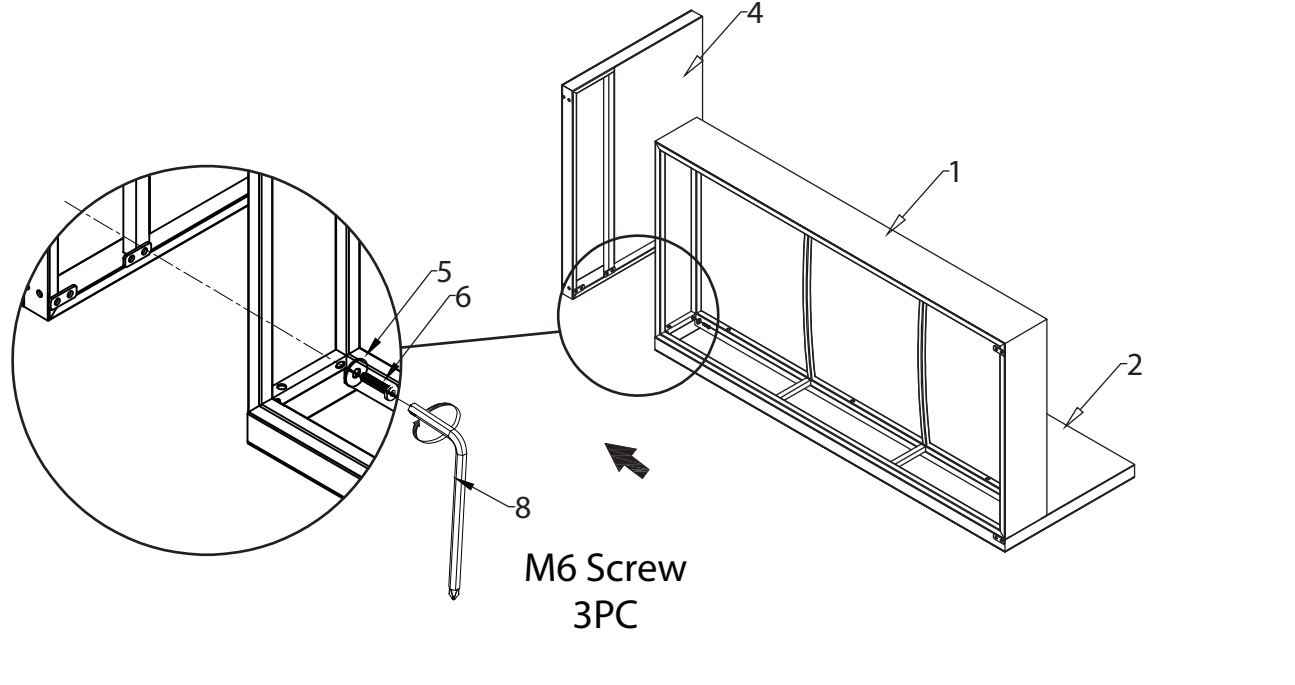
Installation process

Size : 210(W) X 297(H)mm

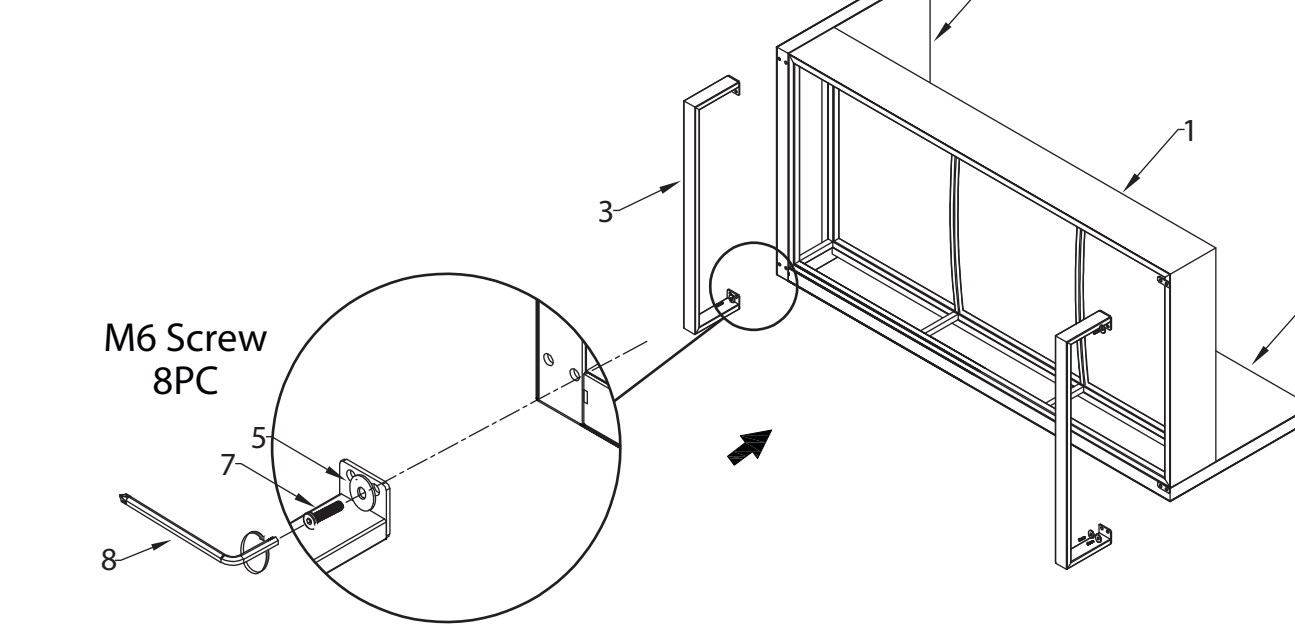
1



2

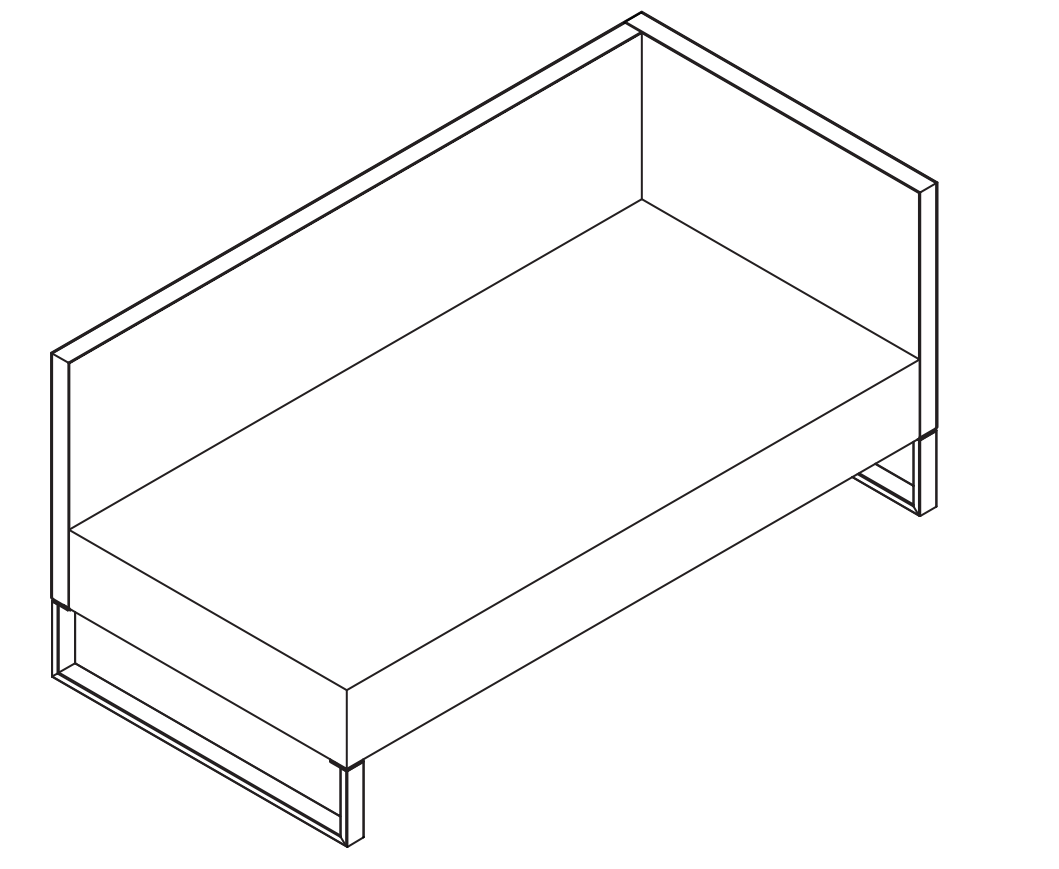


3



Size : 210(W) X 297(H)mm

PLU-113086 & 113087 RIGHT ARM SOFA



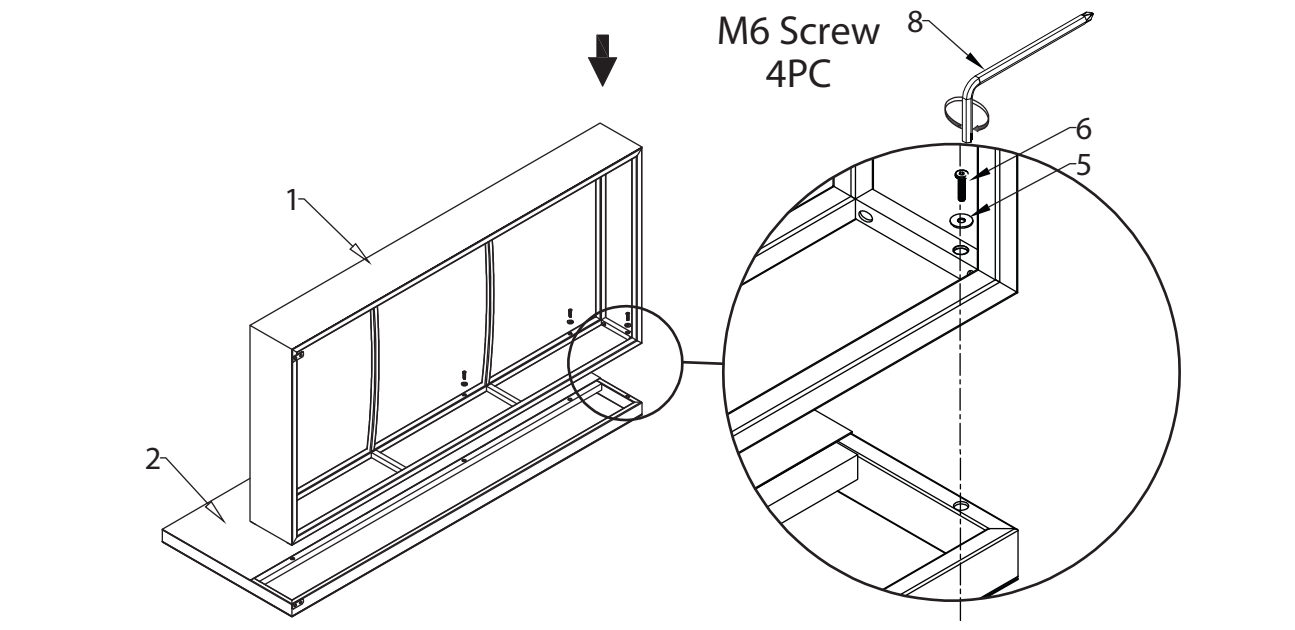
Accessories List

1 1pc	2 1pc	3 2pc	4 1pc
5 M6 15pc	6 M6 7pc	7 M6 8pc	8 1pc

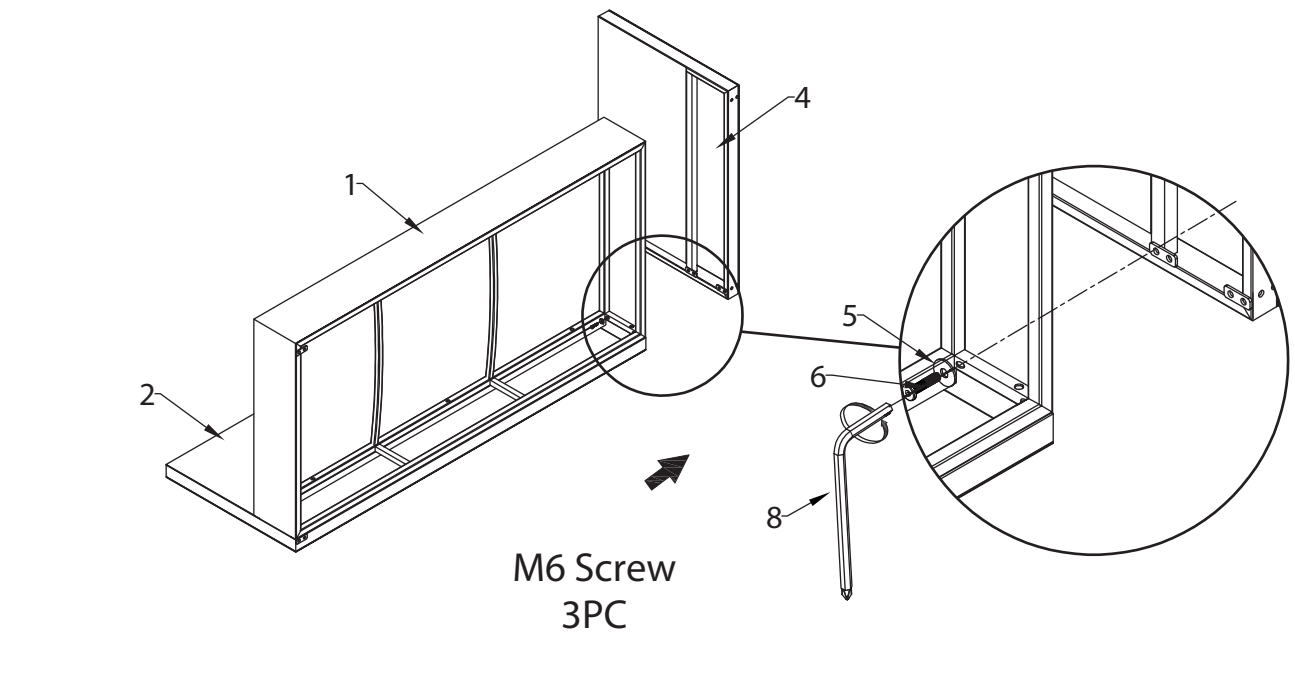
Installation process

Size : 210(W) X 297(H)mm

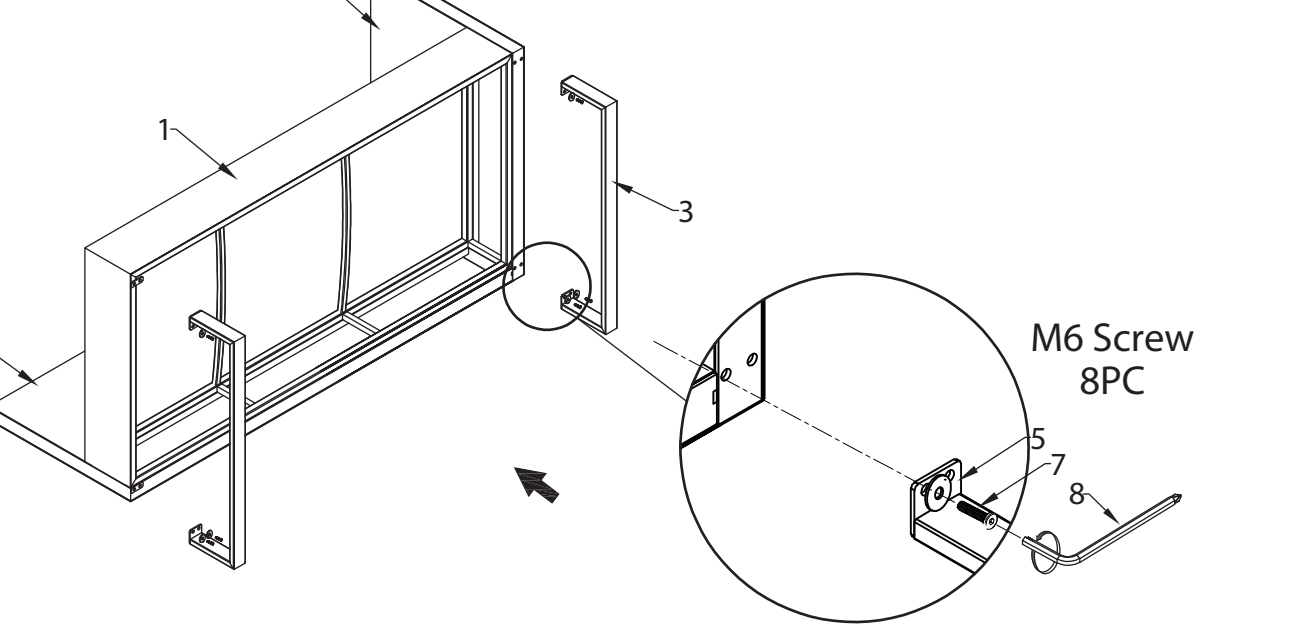
1



2

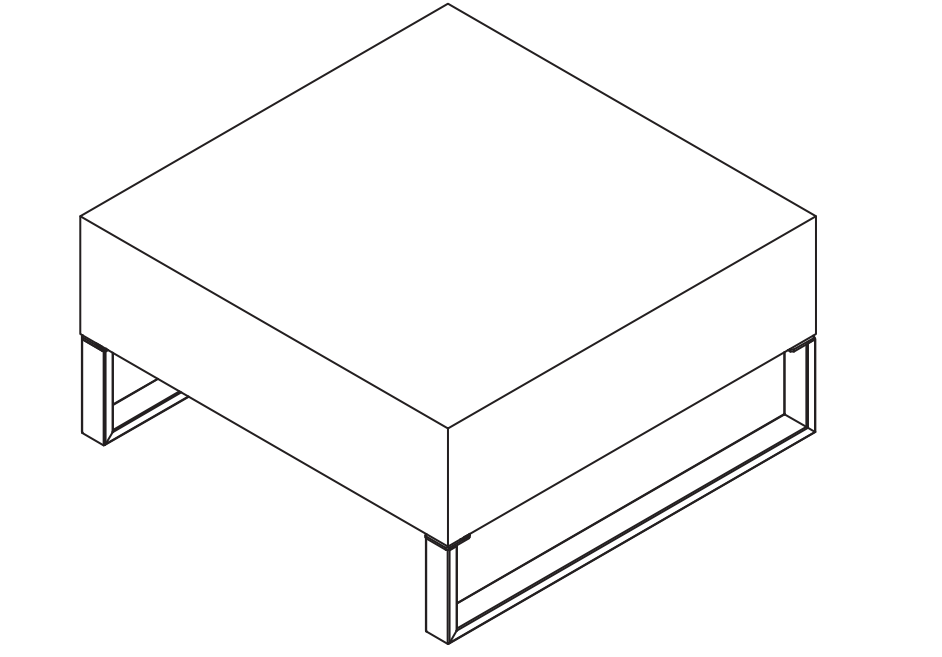


3



Size : 210(W) X 297(H)mm

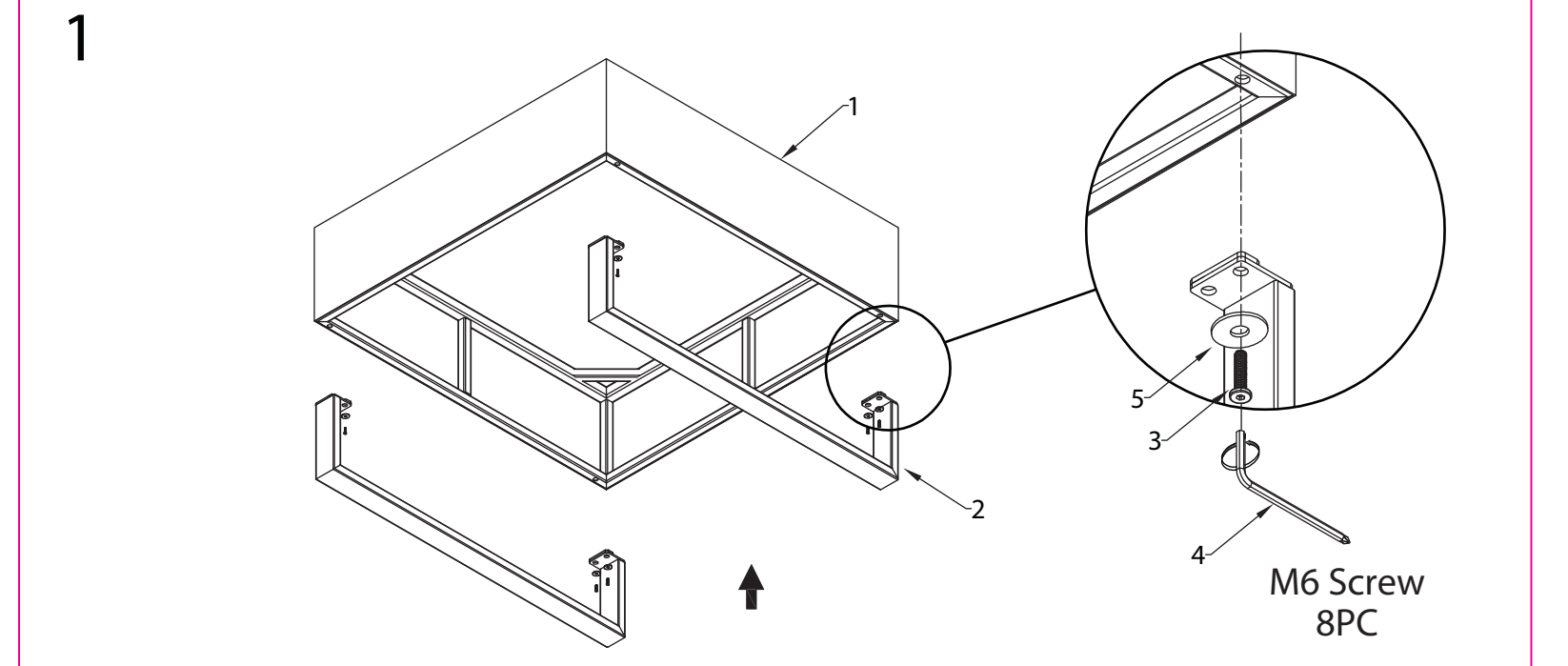
PLU-113086 & 113087 TABLE PART LIST



Accessories List

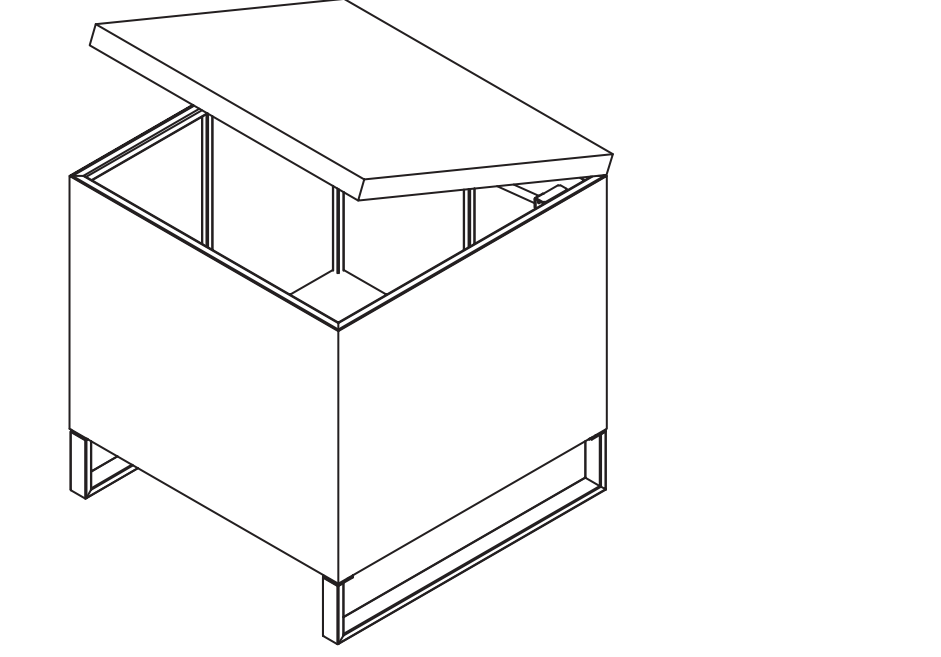
1 1pc	2 2pc	3 M6 8pc	4 1pc	5 M6 8pc
--------------	--------------	-----------------	--------------	-----------------

Installation process



Size : 210(W) X 297(H)mm

PLU-113086 & 113087 STORAGE BOX PART LIST



Accessories LIST

1 1pc	2 2pc	3 M6 8pc	4 1pc	5 M6 8pc
--------------	--------------	-----------------	--------------	-----------------

Installation process

