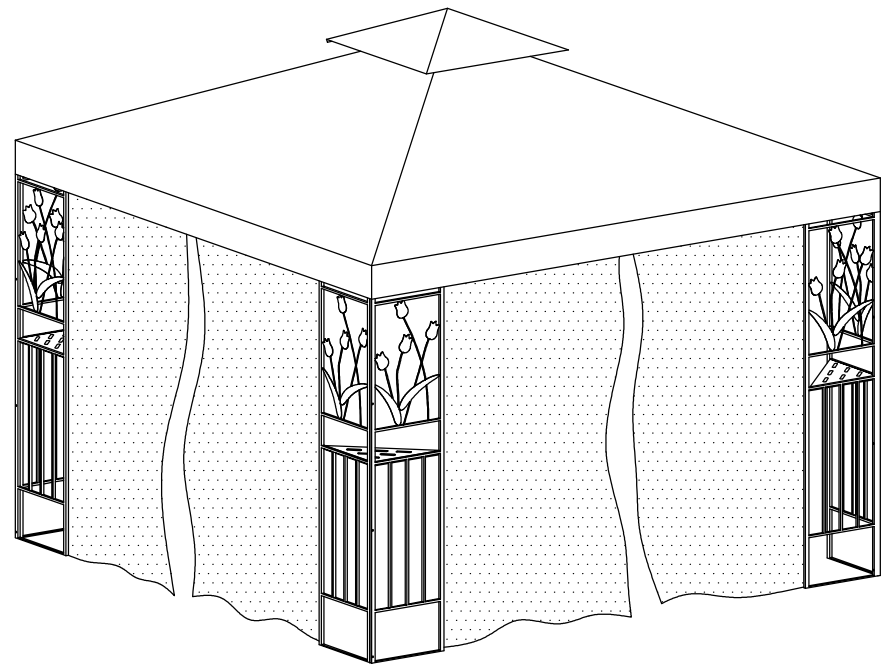
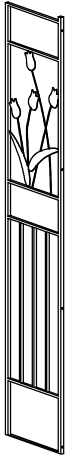
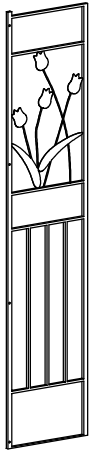






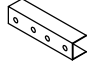


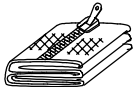








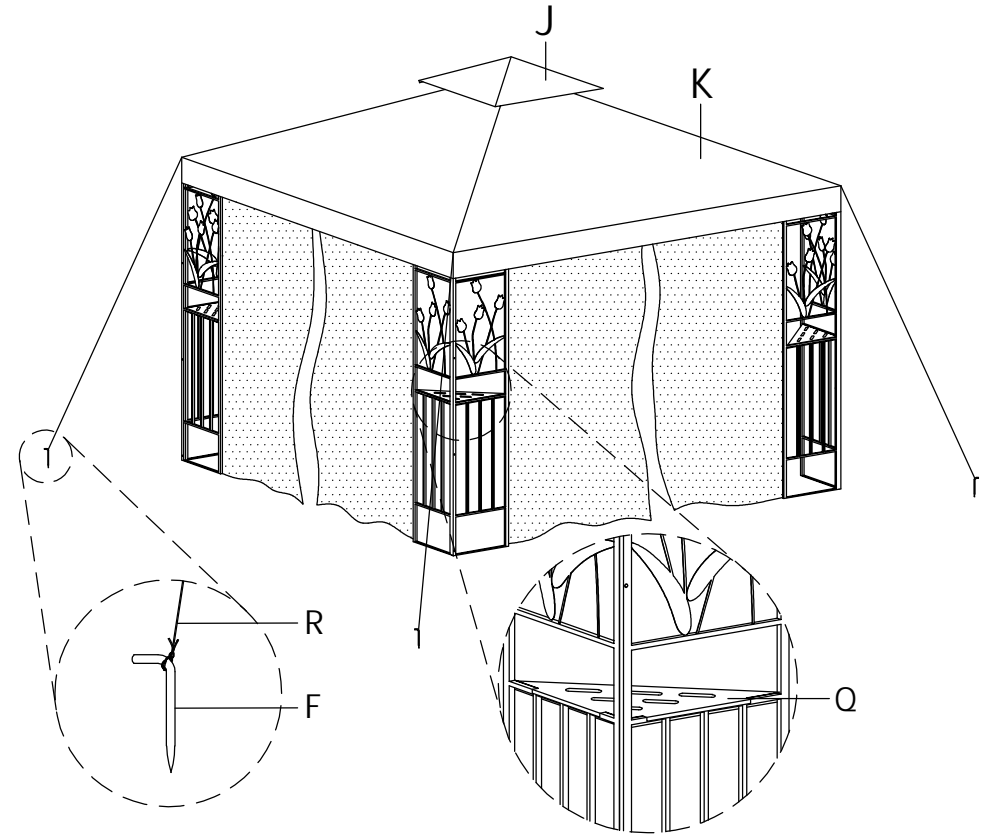
Assembling sheets for Gazebo

PLU:108322

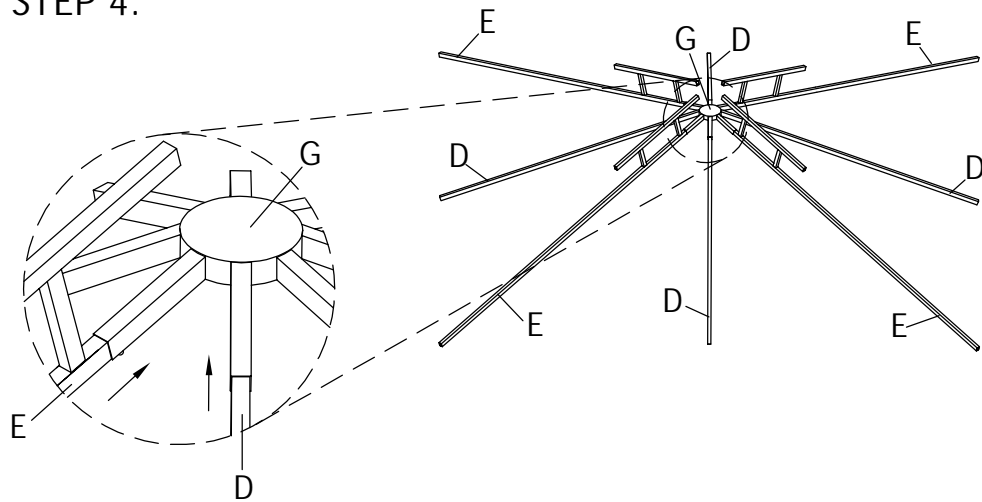


				
		Ⓒ Side pole 8 PCS		
				
		Ⓓ Midmost rib 4 PCS		
				
Ⓐ Door frame 4 PCS	Ⓑ Door frame 4 PCS	Ⓔ Side rib 4 PCS		
				
Ⓕ Ground nail 12 PCS	Ⓖ Top joint plate 1 PC	Ⓗ Angle 4 PCS	Ⓙ Connector 4 PCS	
				
Ⓙ Top cover 1 PC	Ⓚ Cover 1 PC	Ⓛ Mosquitonets 4 PCS(SET)	Ⓜ M6x25 bolt+nut 4 PCS	
				
Ⓝ M6x16 bolt 16 PCS	Ⓞ M6x42 bolt+nut 32 PCS	Ⓟ Connector 4 PCS	Ⓠ Shelf 4 PCS	Ⓡ Rope 4 PCS

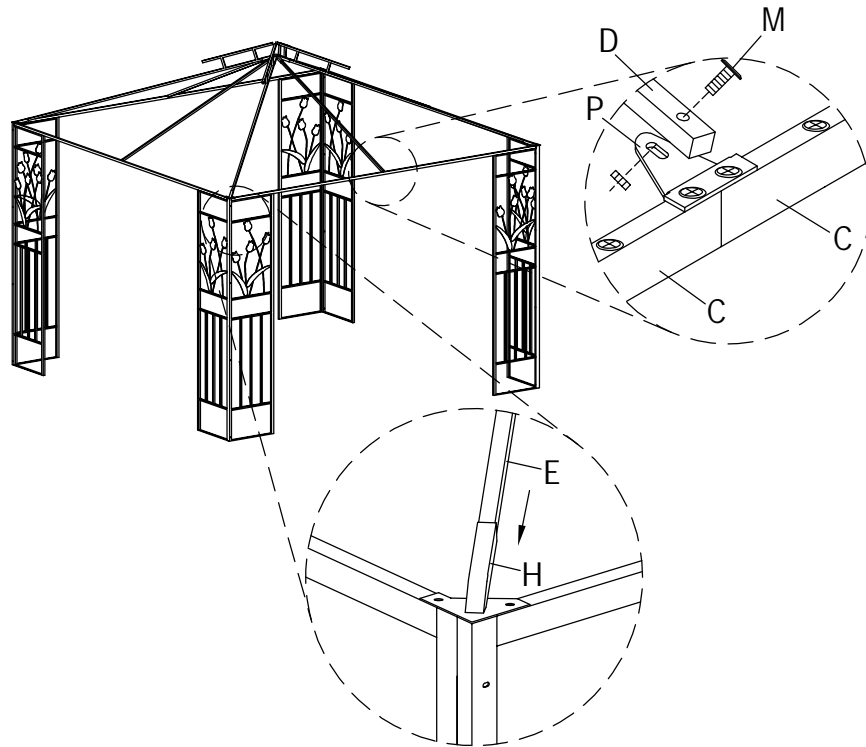
STEP 6:



STEP 4:



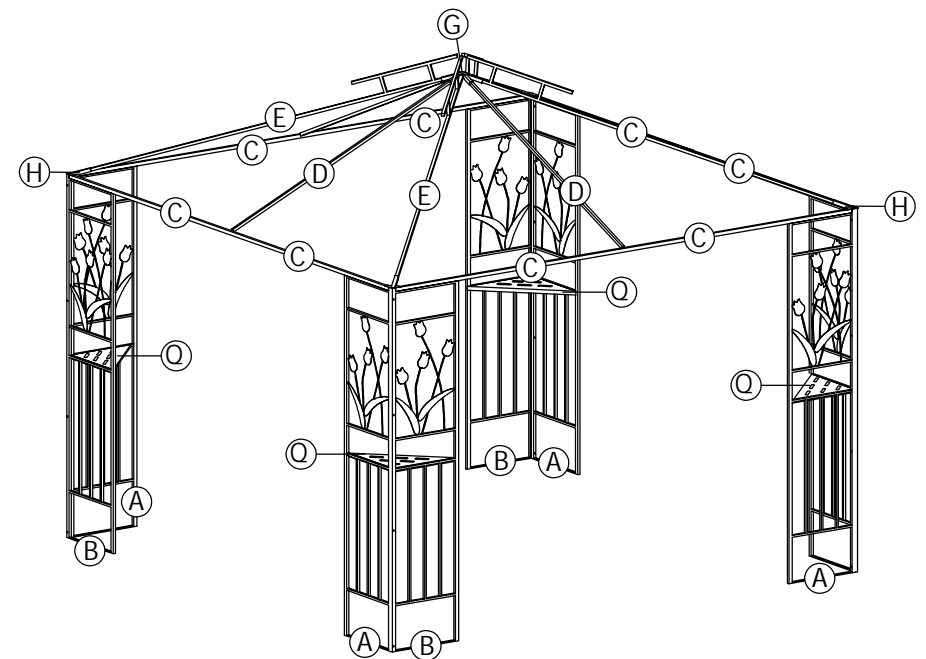
STEP 5:



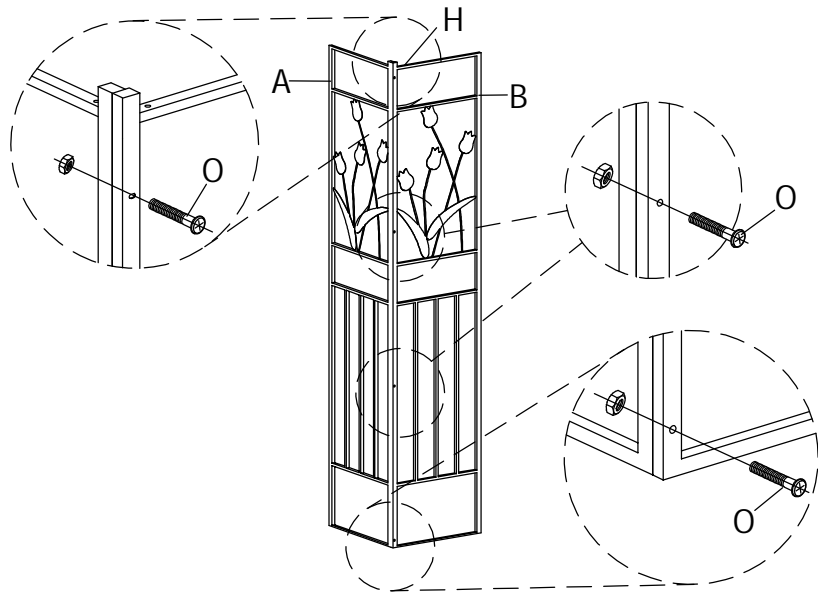
Note: This gazebo is meant to be used for decorative and sunshade purposes only. It cannot withstand strong winds and heavy rain and should not be used as a permanent fixture in your yard, deck or cement patio. Bolting the gazebo to cement patio or deck can cause damage to the structure during heavy winds and rain.

Warnings:

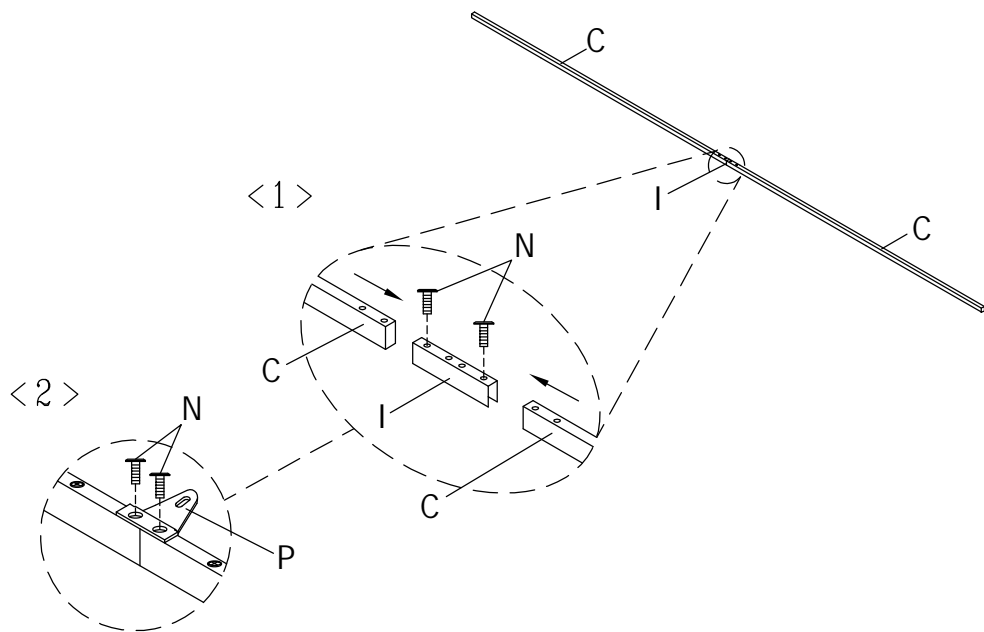
1. Do not cook underneath gazebo.
2. Do not ignite fireworks underneath the gazebo.
3. This product is designed for leisure use only and is not a shelter against adverse weather conditions.
4. Canopy should be removed during high winds to prevent damage to the canopy and gazebo frame.



STEP 1:



STEP 2:



STEP 3:

