

Master *Cook*®

USER MANUAL

PLU : 120906



35"/89cm cast stone fire pit

Warnings



WARNING

**For Outdoor Use Only
(outside any enclosure)**



WARNING

- 1. Improper Installation, adjustment, alteration, service, or maintenance may result in property damage, injury or death.**
- 2. Read the Installation, operation, maintenance instructions thoroughly before installing or servicing this equipment.**
- 3. Failure to follow these instructions could result in a fire or explosion, which could cause property damage, personal injury or death.**

Save these instructions for future reference. If you are assembling this fire pit for someone else, give this manual to him or her to save for future reference.

WARNING **FOR YOUR SAFETY**

- 1. This item is for outdoor use only, and shall NOT be used in a building, garage or any other enclosed area.**
- 2. DO NOT use this fire pit for indoor heating. TOXIC carbon monoxide fumes can accumulate and cause asphyxiation.**
- 3. This fire pit is NOT for commercial use.**
- 4. This fire pit is NOT to be operated by children.**
- 5. This fire pit is NOT to be used in or on boats or recreational vehicles and timber decks.**
- 6. Always use in accordance with all applicable local, state and national codes. Contact your local fire department for details on outdoor burning.**
- 7. When using this fire pit, exercise the same precautions you would with any open fire.**
- 8. The use of alcohol, prescription or non-prescription drugs may impair the consumer's ability to properly assemble or safely operate this fire pit.**
- 9. Do NOT use this fire pit without reading this entire document and all warning, cautions and instructions.**
- 10. This fire pit is for use with dry, seasonal hardwood. It will burn hotter, more completely and create less smoke.**
- 11. Do NOT burn charcoal briquette, lump charcoal, manufactured logs, driftwood, trash, leaves, papers, cardboard, plywood, painted or stained or pressure treated wood. Avoid using softwoods such as pine or cedar that can throw sparks.**
- 12. Do NOT alter this fire pit in any manner.**
- 13. Do NOT use this fire pit until it is COMPLETELY assembled and all parts are securely fastened and tightened.**

Warnings

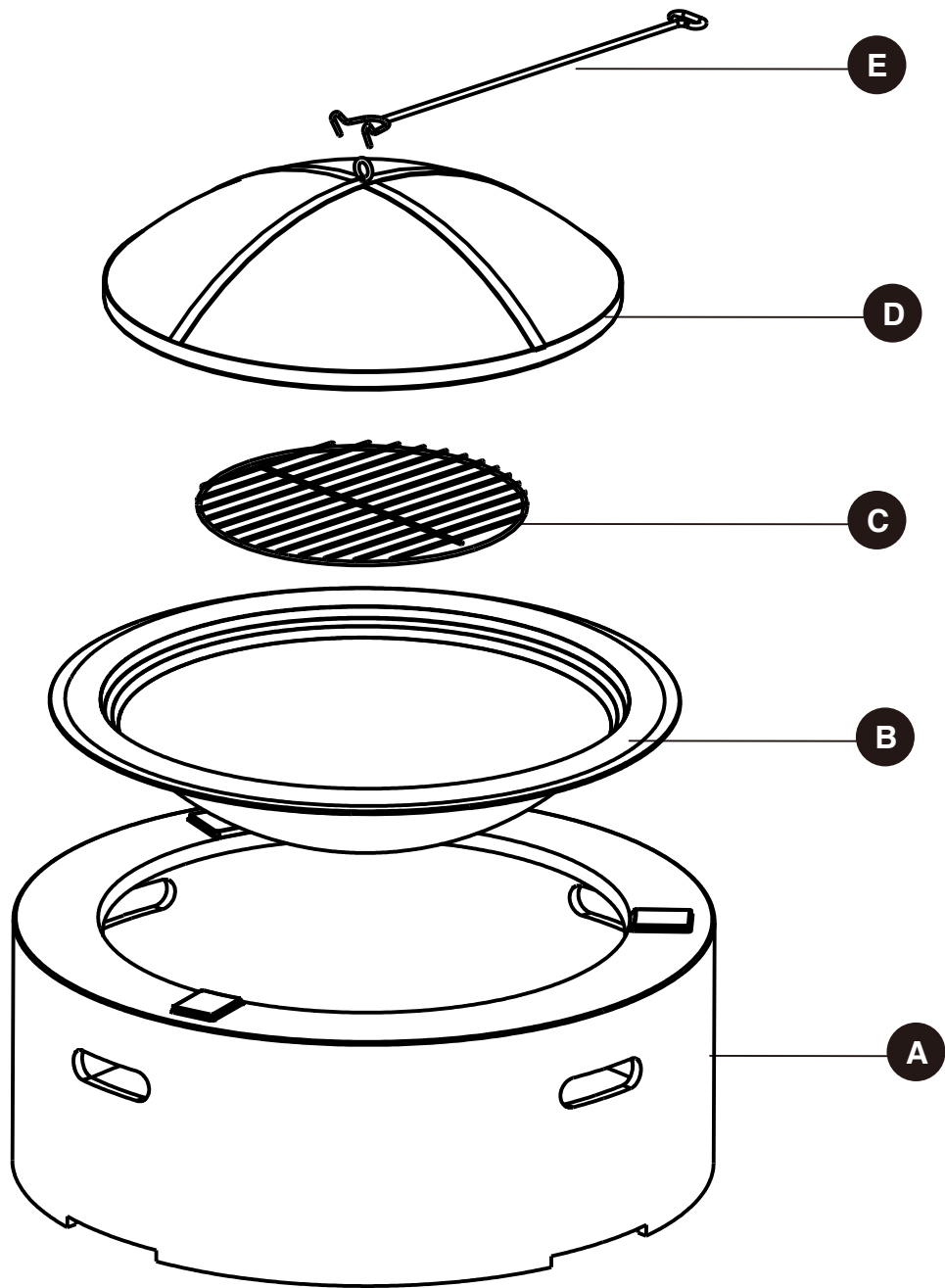
14. Do NOT store or use petrol or other flammable vapors or liquids in the vicinity of this or any other appliance.
15. Do NOT store or use an LP gas cylinder within 10 feet (3.05m) of this fire pit while it is in operation.
16. Do NOT use this fire pit near automobiles, trucks, vans or recreational vehicles.
17. Do NOT use in an explosive atmosphere. Keep outdoor area clean and free from combustible materials, petrol and other flammable liquids.
18. Do NOT use this fire pit under an overhead or near any unprotected combustible constructions. Avoid using near or under overhanging trees and shrubs.
19. Always use this fire pit on a hard level non-combustible surface such as concrete, rock or stone. An asphalt or blacktop surface may not be acceptable for this purpose. Do NOT use on wooden decks.
20. Always empty this fire pit before each use.
21. Do NOT wear flammable or loose clothing when operating this fire pit.
22. Do NOT use in windy conditions.
23. Do NOT use this fire pit unless spark guards is securely in place.
24. Do NOT use petrol, kerosene, diesel fuel, lighter fluid or relight fires.
25. Keep all electrical cords away from a hot fire pit.
26. All surfaces of this fire pit are hot when in operation. To avoid burns, do NOT touch fire pit until it has completely cooled unless you are wearing protective gear (potholders, gloves, BBQ mittens, hot pads & etc). Never touch ashes or coals to see if they are hot.
27. Do NOT leave a lit fire pit unattended, especially around children and pets.
28. Do NOT attempt to move or store this fire pit until ashes and coals are completely extinguished.
29. Do NOT remove ashes or coals until they are completely and extinguished.
30. Use heat-resistant gloves or hot pads when contacting handles.
31. Use long, sturdy fire pit tools when adding or moving logs.
32. Do NOT place wood directly into bottom of the fire pit. Place wood only on the wood grid.
33. Do NOT overload the fire pit. Do not add additional firewood until the fire burns down.
NOTICE: If any portion of the bowl lid or spark guard of this fire pit are glowing red. It is overloaded.
34. Do NOT lean over this fire pit when lighting or when in use.
35. Do NOT place a hot spark guard or hot fire pit tools onto combustible surface such as grass, wooden deck or furniture.
36. Avoid breathing smoke from the fire and avoid getting it into your eyes.
37. This fire pit should be thoroughly inspected and cleaned on a regular basis.
38. After a period of storage and/or non-use, check for signs of damage and creosote build-up. Do NOT operate until necessary repairs and/or clean up are executed.
39. Death, serious injury or damage to property may occur if the above is not followed exactly.
40. Do not operate without fire screen. Do not burn charcoal over 0.73 KGS and untreated wood over 1.36 KGS at one time.



Table of Contents

- Warnings.....2
- Assembly Diagram.....5
- Part List.....6
- Assembly Instructions.....7
- Care and Maintenance.....8



Assembly Diagram (No Tools Required)



Parts List

Part #	Description	Qty
A	Cast stone base	1
B	Fire bowl	1
C	Charcoal Grid	1
D	Mesh screen cover	1
E	Lifting tool	1

Hardware

Hardware #	Description	Picture	Qty
AA	M6 Ring Screw		1
BB	M6 Nut		1

NOTE: Before beginning assembly of product, make sure all parts are present. Compare parts with package contents list and hardware contents above. If any part is missing or damaged, do not attempt to assemble the product.



Assembly Instructions

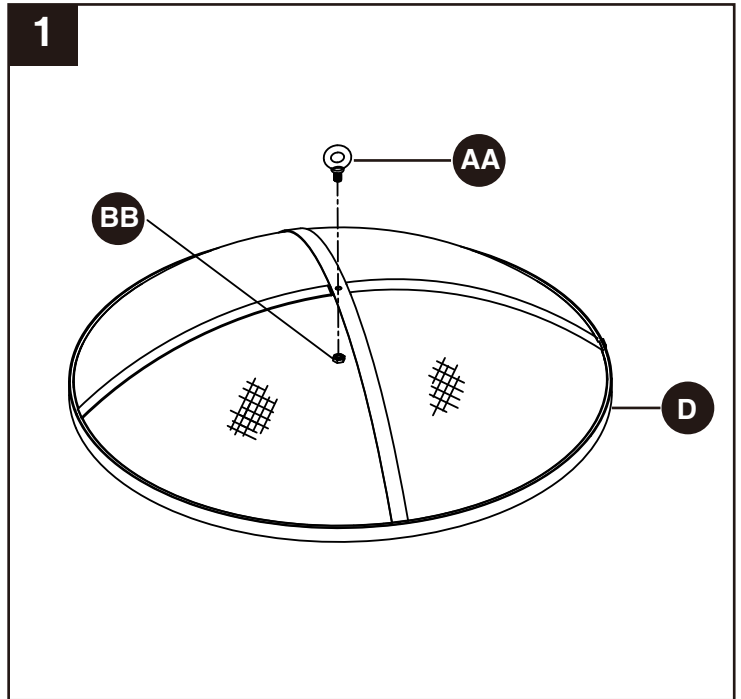
Choose a level location for assembly. Remove all parts from the packaging, and check for missing parts.

Step 1

Attach the M6 ring screw (AA) to the mesh screen cover (D) using one M6 Nut (BB). Fig 1.

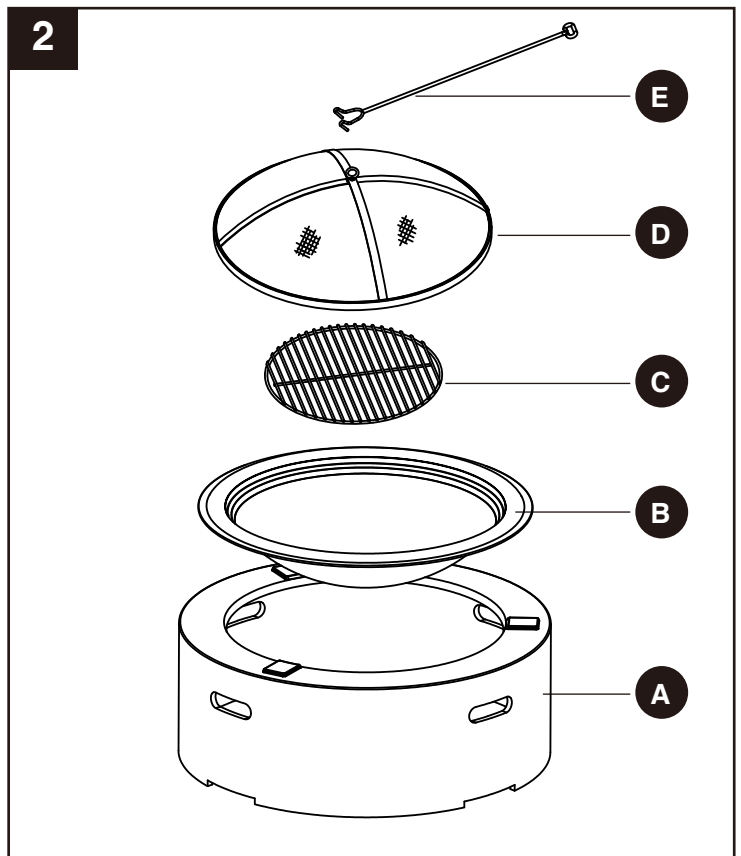
Hardware Used

AA	M6 Ring Screw		x 1
BB	M6 Nut		x 1



Step 2

Place all parts on the cast stone base. Fig 2.



Care and Maintenance

Inspecting

Inspect this fire pit on a regular basis to ensure product safety and longer product life. DO NOT attempt to inspect this fire pit until the fire is COMPLETELY out and the fire pit has cooled down.

- Check components for any signs of damage or rust.
- If any component is damaged, do not operate until repairs are made.

Cleaning

Clean this fire pit on a regular basis to promote safer use and longer product life.

Note: After repeated use, the finish may discolor slightly.

DO NOT attempt to clean this fire pit until the fire is COMPLETELY out and the fire pit has cooled down.

DO NOT use oven cleaner or abrasive cleaners as they will damage this product.

DO NOT clean any part of this fire pit in a self-cleaning oven as it may damage the finish.

- Wipe exterior surfaces with a mild dishwashing detergent or baking soda.
- For stubborn surfaces use a citrus-based degreaser and a nylon scrubbing brush.
- Rinse clean with water.
- Remove built-up creosote from components with a chimney cleaning product.

Storage

DO NOT move or store this fire pit until the fire is COMPLETELY out and the fire pit has cooled down.

- Once the fire is out, coals are cold and fire pit is cool to touch, remove ashes and properly dispose.
- Store assembled in a location away from children and pets.
- These stone fire pits are handmade units and the weight of each unit may be different

The weight printed on the carton is a average weight and just for reference ONLY.

Note: If you do not use a cover, store the fire pit in a dry location to maximize product life.