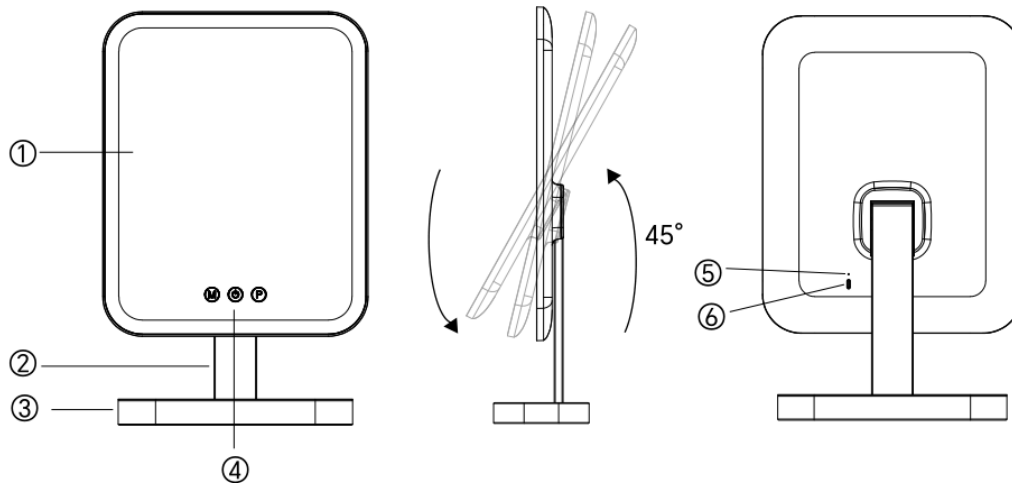


**Model: 169433**

## **Visage LED Mirror White with tray Instruction Manual**

**Product details:**

---



1. Mirror
2. Stem
3. Base
4. Touch switch
5. Power indicator
6. USB-C input socket

### **Specification:**

---

Product Name: Visage LED mirror white with tray

Product material: HIPS+ high quality glass+iron

Charging voltage: 5V

Charging interface: USB-C

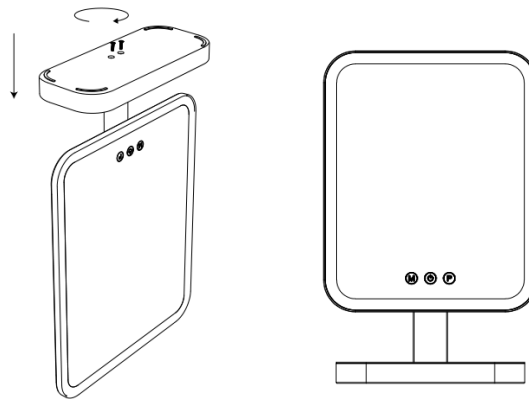
Product size: 25 X 10 X 40cm

## Components:

- 
- |            |               |
|------------|---------------|
| ·Mirror    | ·Type-C cable |
| ·Base      | ·Manual       |
| ·Allen Key | ·Screws*3     |

## Installation:



Use the Allen key to tighten the screw clockwise into the base to complete assembly.  
Note: Only 2 screws are required. A third screw is included as a spare in case one is lost.



---

## Instructions:

*Please ensure the mirror is plugged in before use. The power indicator will illuminate when the unit is receiving power.*

1. Tap the power button to turn the LED light on or off.
2. Press the  button once to change the light colour. The colours cycle in the following order: Cool White → Warm White → Natural White.
3. Press and hold the  button to finely adjust the brightness.
4. As long as the mirror remains connected to power, it will remember your previous light setting and restore the same brightness when turned on again.
5. For energy conservation, the light will automatically turn off after 30 minutes.
6. You can place your phone horizontally on the mirror base to use it as a convenient phone stand.

**Friendly Tips:**

1. Keep this product away from young children and pets. This product contains glass and may shatter if dropped. Handle with care.
2. Do not place the mirror in direct sunlight. Reflection of direct sunlight by the mirror could cause a fire.
3. This mirror is not waterproof. To protect against electrical hazards, keep away from water.
4. Use this mirror for its intended purpose.