



Bluetooth

PARTY SPEAKER

Light up the night

PLU 169123

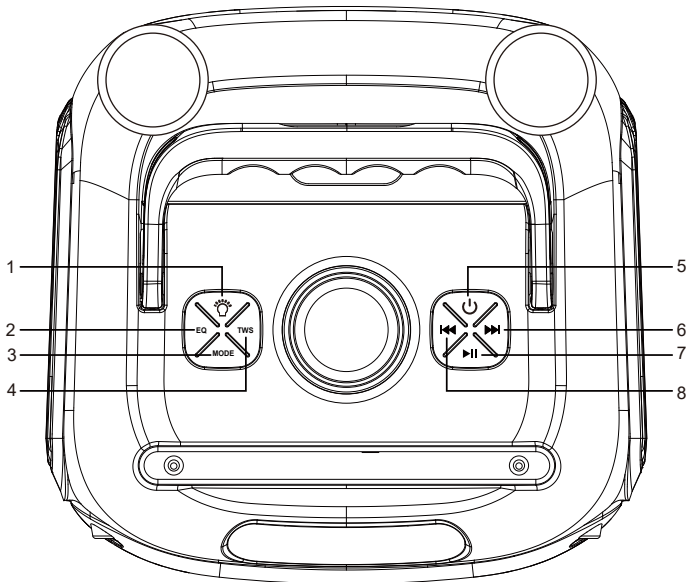
Features:

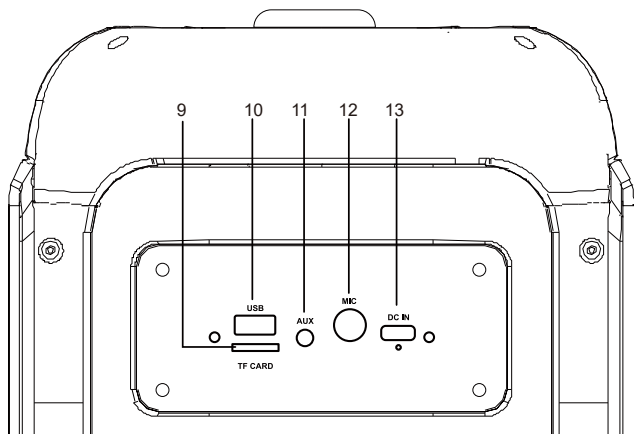
- 2*8" party speaker with 50W
- LED display Digital
- FM radio
- Microphone function
- 3.5mm Aux input
- USB port - Supports MP3 format.
- TF card
- Wireless Bluetooth-range 10m.
- Voice prompts announcing functions
- Built-in rechargeable battery 3.7V/3000mAh



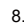


Accessory includes:

- User Manual
- Type C Charging Cable
- Remote control
- Wireless Microphone

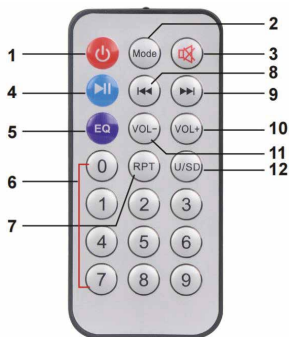
Control Panel:







- | | |
|--|---|
| 1. 【  】 : LED light | 8. 【  】 : Backward/Fast reverse button |
| 2. 【EQ】 : Menu key & EQ button | 9. 【TF】 : Micro SD card slot |
| 3. 【MODE】 : Mode button | 10. 【USB】 : USB port |
| 4. 【TWS】 : TWS button | 11. 【AUX】 : AUX input |
| 5. 【  】 : Power button | 12. 【MIC】 : Microphone input |
| 6. 【  】 : Forward/Fast forward button | 13. 【DC IN】 : DC 5V charging jack |
| 7. 【  】 : Play/Pause button | |

Remote control :



1. Power ON / OFF
2. Mode: change to USB/TF/Bluetooth/AUX mode/FM
3. Mute: silent mode
4. Play / Pause
5. EQ: Press to switch between these different sound equalizer modes: Standard, Pop, Rock, Jazz, Classic, Country
6. 0-9: Select a song directly in USB/TF Card mode
7. RPT : Repeat the song
8.  : Previous track in BT/USB/TF mode
9.  : Next track in BT/USB/TF mode
10. VOL+ : Increase the volume
11. VOL – : Decrease the volume
12. U/SD : Switch the mode between USB and SD

BATTERY CHARGING

The product has a built-in rechargeable battery that can be recharged using the supplied power supply. Before use, it is recommended to fully charge the battery. During the recharging phase, the status of battery icon will keep blinking (the device will fully recharge in about 5 to 6 hours). When the device is fully charged the battery icon will keep solid.

Note : If the battery is completely Discharge, then leave the device off and recharge it for at least an hour before using it.

Battery life (up to 5 hours with use at medium volume) may vary depending on the listening volume, based on the type of song being played, depending on the selected source, whether or not the RGB lights are used and the state of wear of the battery.

Recharge times may vary depending on the state of charge of the product and the characteristics of the charger used. When the battery is low, the product will periodically emit a warning tone.

OPERATIONAL INSTRUCTION

On/off/Standby

Long press the power button to turn the product on and off .

Mode Change

Short Press the MODE button on the product several times to change the modes choosing between Bluetooth/FM/LINE/USB and microSD .

Note: Modes need to be changed Manually. You need to press the mode button every time you need to change the mode.

Volume adjustment

Revolve the volume knob on the product to adjust the volume.

Equalizer

Long press "EQ" key on the speaker several times to choose the equalization mode among the 6 available presets. (Normal, Rock, Pop, Classic, Jazz, Country).

MENU function

Short Press the EQ key and use the volume knob to adjust respectively:

t --> Treble

b --> Bass

N --> to adjust the volume of the microphones

E--> to adjust the echo effect

U -> Main volume

LED light effects selection

After turning on the product, you can short press the "LED" key to change the effect of the LED lights. There are 6 different effects available. Long press the "LED" key to turn off the LED lights.

Bluetooth function

The product supports music playback via wireless connection to a Smartphone or other compatible device.

NOTE : Compatibility with all devices on the market cannot be guaranteed .

Bluetooth connection

1. Turn on the speaker, select the Bluetooth Mode (the display will show BLUE) Search for the name " SONAR169123 " from your external device and choose it to pair(enter"0000" if requested).
2. Once paired, you can start playback from the external device
3. During music playback, you can press the Play/Pause button to pause playback. To resume playback, press the Play/Pause button again.

TWS FUNCTION (TRUE WIRELESS STEREO)

If you have two SONAR169123, you can activate the TWS function which allows you to pair two speakers together and obtain stereo audio reproduction (the speakers will reproduce the same audio at the same time).

Note: in order to use the TWS function, the two speakers must have a maximum distance of about 5 meters from each other in open spaces.

TWS function activation (how to associate two SONAR169123 together)

1. Make sure the speakers are not paired with any external devices.
2. Turn on the two speakers and select Bluetooth mode (BLUE on the display).
3. Short press the "TWS" button on the speaker and the display will show "ON" to start the TWS pairing, a sound will confirm the pairing.
4. Once paired, the speakers will automatically pair with each other if turned on at the same time.
5. To deactivate the TWS function and unpair the speakers, long press the "TWS" button on the speaker after pairing.

USB/MICROSD FUNCTION

Insert a USB stick/MicroSD card (containing songs in MP3 format) into the slot after turning on the speaker, playback will start automatically. Short Press "Play/Pause" button to pause/resume playback. Short Press the

◀◀ / ▶▶ button to go to the next track /return to the previous track.

Long press the **◀◀** or **▶▶** buttons on the product to fast forward /fast reverse through the currently playing song.

Note: Compatibility with all commercially available storage devices cannot be guaranteed.

AUX FUNCTION

To play audio via the AUX input connect one end of the appropriate cable to the 3.5mm AUX input of the speaker and the other to the external device. Select the correct source by pressing the MODE button several times then start playback directly from the connected external device.

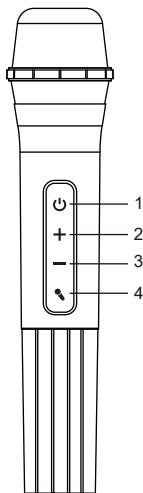
NOTE: in AUX mode it is not possible to pass to the next/previous track with the "Next Track"/"Previous Track" buttons but it is necessary to carry out the operation directly from the connected external device.

RADIO FUNCTION

1. Turn on the two speakers and select FM mode (the display will show FM Frequency 87.5).
2. Long Press PLAY / PAUSE button to enter automatic search for FM channels .
3. Press the NEXT button to go to the next frequency.
4. Press PREVIOUS to return to the previous frequency.

USING MICROPHONE

1. Press and hold the power key(1) to turn on the wireless microphone then it can connect the device automatically.
2. Short press the + - key to adjust the volume of the microphones;
Press and hold the + - key to adjust the echo effect.
3. Press the microphone icon(4) to play/pause the microphone function



PLU 169123
OGALAS ULC D12 ECR9
Made in China

